



Catalogue  
2019 / 2020

*Made in Italy  
since 1965*

## Azienda\_Company

Nata nel 1965 Fiore è un nome ben noto e stimato da uomini d'affari del settore, nonché dai consumatori stessi, in Italia e in tutto il mondo. Il motivo di questa rapida crescita e dei successi commerciali sono dovuti sia alla competenza di coloro che lavorano in azienda che dai grandi investimenti effettuati da Fiore Rubinetterie nel corso degli anni.

Born in 1965, today FIORE is a well-known name, esteemed by businessmen of the same sector as well as the consumers themselves, in Italy and all over the world.

The reason behind this rapid growth and the commercial successes which followed are due to the competence of those working in the company as well as to the large investments made by Fiore Rubinetterie over the years.

---

## Progetto\_Project

La produzione Fiore inizia dallo studio progettuale seguendo le richieste dei clienti, le tendenze del mercato e il desiderio di innovazione attraverso la competenza e la ricerca durante la fase progettuale e creativa. Il Centro Ricerca e Design Fiore è in continuo movimento fra sperimentazione e tecnologia, in totale apertura verso ogni novità di settore per quanto riguarda sistemi di lavorazione, finiture, ottimizzazione delle risorse e tendenze di Design.

Fiore production starts from the study of the design according to the customer requirements, market trends and strong desire of innovation. Fiore Research and Design Center is constantly moving between experimentation and technology following the latest innovations regarding manufacturing systems, product optimization and design trends.

---

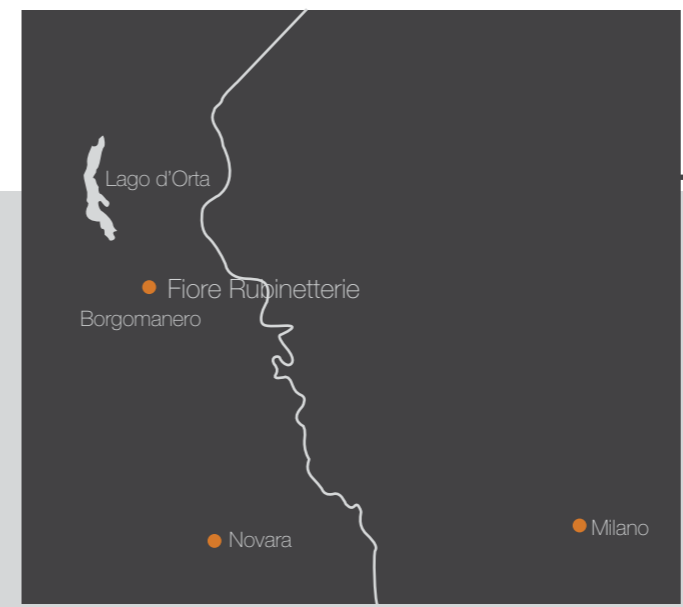
## Qualità\_Quality

La qualità dei prodotti e la massima cura alle richieste dei clienti, nonché la capacità di soddisfare le loro esigenze nel tempo più breve possibile, sono i punti focali della filosofia aziendale di Fiore e la ragione per i suoi continui successi.

Product quality, attention to the customers' needs and the ability to meet their requirements in the shortest time possible are the focal points of Fiore philosophy and the reason for our continuous success.

---

# Nel mondo In the world



Più di 50 anni di  
esperienza  
*More than 50 years  
of experience*

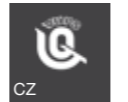
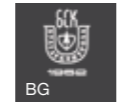
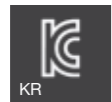
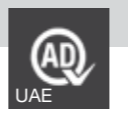
Lavorazioni  
meccaniche  
*Machining  
department*

80 dipendenti  
*80 workers*

22.000 mq

Magazzino  
*Warehouse*

Distribuzione in più di  
80 paesi nel mondo  
*Distribution in more than  
80 countries worldwide*



Assemblaggio e collaudo  
*Assembling & testing*

Spedizioni  
*Shipping department*

Uffici  
*Offices*



# Projects reference



Burj Damac Waterfront  
Doha  
Qatar

Hotel Sir E.K. Savigny  
Berlin  
Germany

Grand Tunis Hotel  
Tunis  
Tunisia



The Address Hotel  
Dubai  
UAE

Shangri-La's Hotel  
Sabah  
Malaysia

Radisson Blu Resort  
Sharjah  
UAE



Al Duja Tower  
Dubai  
UAE

Domus Hotel  
Berlin  
Germany

Kalderimi Country House Hotel Pelion  
Magnisia  
Greece

- The Address Hotel, Dubai
- Nobility, Sangdo, Seoul, Korea
- Emotional Grand Hotel, Borgomanero, Italy
- Mag 5 Boulevard, Dubai UAE
- Qasr Al-Sultan Hotels, Dubai UAE
- Al Duja Tower, Dubai UAE
- Mohammad Nazim Asreb Building, Dubai UAE
- Goshi Tower, Dubai UAE
- Abu Shadi Building, Dubai UAE
- Sheikh Abdullah Alqasimi Building, Sharjah UAE
- Burj Damac Waterfront, Doha, Qatar
- Radisson Blu Resort, Sharjah UAE
- Shangri-La's Hotel Sabah, Malaysia
- Kalderimi Country House Hotel Pelion, Magnisia, Greece
- Apartments of the Olympic Village, Athens, Greece
- San Marco Hotel, Mykonos, Greece
- Marina Hotel & Bungalows, Gouves, Greece
- Agios Savvas Regional Cancer Hospital, Athens, Greece
- Corfù International Airport, Corfù, Greece
- Nawazi Al Aziziah Hotel, Mecca, Saudi Arabia
- Residential and Commercial building, Jeddah, Saudi Arabia
- Semeco Khobar, Saudi Arabia
- Kapsarc project / SK Contracting Co., Mecca, Saudi Arabia
- Al Marai Project, Jeddah, Saudi Arabia
- Al Hidayah-Al Tayseer project, Mecca, Saudi Arabia
- Masfala Hotel, Mecca, Saudi Arabia
- Aziziah Hotel, Mecca, Saudi Arabia
- Security Forces Medical Towers Centre, Mecca, Saudi Arabia
- Defence Raya Commercial, Lahore, Pakistan
- Defence Raya Golf Course Dha Lahore, Pakistan
- The Spring Apartment Homes, Pakistan
- High Q Tower, Pakistan
- Bin Mahfouz Group, Mecca, Saudi Arabia
- Astra Head Co. project, Jeddah, Saudi Arabia
- Zuwar Restaurant, Amman, Jordan
- Hotel Hyatt Zaman Hotel and Resort Petra, Jordan
- Olympic village for the Pan American Games, Santo Domingo, Dominican Republic
- Apartments, Bogotà, Colombia
- Boutique Hotel, Praga, Czech Republic
- Les Jardins de Carthage, Tunisi, Tunisia
- Residence Les Tulipes, Sfax, Tunisia
- Residence Hela, Sfax, Tunisia
- Ifrane Royal Palace, Ifrane, Morocco
- Domus Hotel, Berlin, Germany
- Gran City Hotels, Monaco, Germany
- Hotel Sir E.K. Savigny, Berlin, Germany
- Trip by Wyndham Düsseldorf City Centre, Düsseldorf, Germany
- Wyndham Excelsior Hotel, Berlin, Germany
- Hotel Excelsior - Monopol, GMBH Frankfurt, Germany
- Hotel Rotelle, Torrita di Siena, Italy
- Ngorongoro Serena Safari Lodge, Tanzania
- I.D.F Israeli Sea Force Office Building, Israel
- TLV Gindi Mall, Tel Aviv, Israel
- Orient Hotel, Jerusalem, Israel
- Dizenghoff Hotel, Tel Aviv, Israel
- Private Medical Center & Hotel, Petach Tikva, Israel
- Leonardo Beer Sheva Hotel, Beersheba, Israel
- Mineral Hotel Tiberia, Israel
- Leonardo Haifa Hotel, Israel

Legenda / Legend / Légende / легенда

100 Kube	81 Kevon
88 Kera	39 King
77 Katana	41 Altura
44 Xenon	14 Astro
80 Xenomat	47 Jafar
76 Kalos	83 Imperiale
25 XT	02 Coloniale
86 Kyro	26 Margot

Icone / Icons / Icônes / Иконки



Pezzi per scatola  
Pieces per box  
Pièces par boîte  
штук в коробке

Peso del cartone  
Weight of carton  
Poids du carton  
вес картонной коробки



Cartuccia  
Cartridge  
Cartouche  
картридж



Articoli con flessibile con attacco da 1/2".  
Item with 1/2" flex hose  
Article avec flexible 1/2".  
Изделия со шлангом 1/2"



Vitone  
Head work  
Tête  
копер

Finiture / Finishings / Finitions / Покрытие

CR Cromo Chrome	NN Nero opaco Mat black	BB Bianco opaco Mat white	TT Tuscany Tuscany
OZ Oro opaco spazzolato Brushed gold	CN Cromo nero Black chrome	NP Nichel opaco spazzolato Brushed nickel	OR Oro rosa Rose gold
AR Vecchio argento Brushed silver	ZZ Vecchio bronzo Old bronze	RR Vecchio rame Old copper	OO Oro Gold
AA Acciaio Steel	GS Granito sabbia Granite sand	GN Granito nero Granite black	C1 Caron1 Caron1
C3 Caron 3 Caron 3	TC Terra di Francia Terra di Francia	CC Cappuccino Cappuccino	CO Cromo / oro Chrome / gold
BC Bianco / cromo White / chrome	BO Bianco / oro White / gold		



CR



NN



BB



TT



OZ



CN



NP



OR



AR



ZZ



RR



OO



AA



GS



GN



C1



C3



TC



CC



## Contemporary program

- 12 Kube
- 24 Kera
- 34 Katana
- 44 Xenon
- 58 Xenomat
- 60 Kalos
- 68 XT

## Contract program

- 74 Kyro
- 82 Kevon
- 90 King
- 98 Altura
- 104 Astro
  
- 116 Cucina

## Retrò program

- 162 Imperiale
- 168 Jafar
- 174 Coloniale
- 184 Margot

- 204 Spazio doccia / Shower space
- 252 Ricambi / Spare parts

# Kube

## Contemporary program

Finitura / finishing / finition / Покрытие

CR  
Cromo  
Chrome

NN  
Nero opaco  
Black mat

BB  
Bianco opaco  
White mat

NP  
Nichel opaco spazzolato  
Brushed nickel

TT  
Tuscany  
Tuscany

CN  
Cromo nero  
Black chrome

OZ  
Oro opaco spazzolato  
Brushed gold







100 CR 8515 01

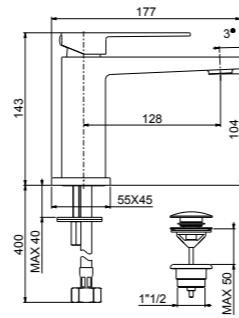


Miscelatore lavabo, scarico click-clack spessore regolabile, flex antitorsione cm 50 3/8" F.

One hole basin mixer, click-clack waste, antitorsion flex cm 50 3/8" F.

Mitigeur lavabo, vidage click-clack, flexibles antitorsion cm 50 3/8" F.

Смеситель для умывальника, донный клапан, гибкая подводка 50 см 3/8" F.



100 CR 8516 01  
Miscelatore lavabo, testa cieca, flex antitorsione cm 50 3/8" F.  
One hole basin mixer, without waste, antitorsion flex cm 50 3/8" F.  
Mitigeur lavabo, sans vidage, flexibles antitorsion cm 50 3/8" F.  
Смеситель для умывальника, без донного клапана, гибкая подводка 50 см 3/8" F.

Finitura / finishing / finition / Покрытие

CR  
NN / BB  
TT / OZ / CN / NP

Ø 25 mm s/d  
35 CAIO 26



1/2 100 CR 8515 02

1/2 100 CR 8516 02

18 kg  
box pcs. 10

Finitura / finishing / finition / Покрытие

CR  
NN / BB  
TT / OZ / CN / NP

100 CR 7597

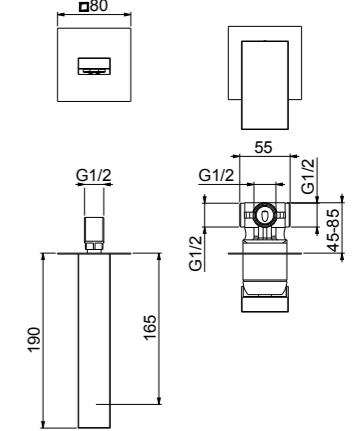


Miscelatore lavabo a muro.

Wall basin mixer.

Mitigeur lavabo mural.

Смеситель для умывальника, скрытый монтаж.



Finitura / finishing / finition / Покрытие

CR  
NN / BB  
TT / OZ / CN / NP

13 kg  
box pcs. 10

Ø 42 mm s/d  
35 CAIO 31

100 CR 8517 01

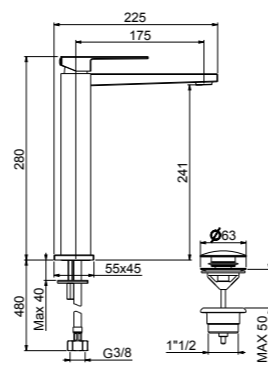


Miscelatore lavabo alto, bocca lunga, scarico click-clack spessore regolabile, flex antitorsione cm 70 3/8" F.

One hole basin mixer, high body, long spout, click-clack waste, antitorsion flex cm 70 3/8" F.

Mitigeur lavabo haut bec long, vidage click-clack, flexibles antitorsion cm 70 3/8" F.

Смеситель для умывальника, донный клапан, гибкая подводка 70 см 3/8" F.



100 CR 8518 01  
Miscelatore lavabo, testa cieca, flex antitorsione cm 70 3/8" F.  
One hole basin mixer, without waste, antitorsion flex cm 70 3/8" F.  
Mitigeur lavabo, sans vidage, flexibles antitorsion cm 70 3/8" F.  
Смеситель для умывальника, без донного клапана, гибкая подводка 70 см 3/8" F.

Finitura / finishing / finition / Покрытие

CR  
NN / BB  
TT / OZ / CN / NP

Ø 25 mm s/d  
35 CAIO 26



1/2 100 CR 8517 02

1/2 100 CR 8518 02

13,6 kg  
box pcs. 5

Finitura / finishing / finition / Покрытие

CR  
NN / BB  
TT / OZ / CN / NP

100 CR 8552

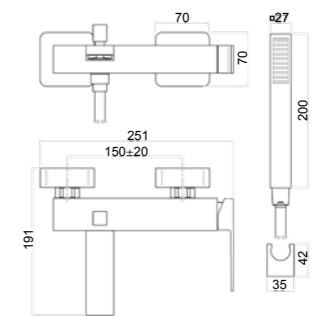


Miscelatore vasca con duplex, doccia quadra, flex satilux.

Bath mixer with shower set, square shower, satilux flex.

Mitigeur bain douche avec garniture, douche carrée, flexible satilux.

Смеситель для ванны с душевым гарнитуром.



Finitura / finishing / finition / Покрытие

CR  
NN / BB  
TT / OZ / CN / NP

13,85 kg  
box pcs. 5

100 CR 8551  
Miscelatore vasca senza duplex.  
Bath mixer without shower set.  
Mitigeur bain douche sans garniture.  
Смеситель для ванны без душевого гарнитура.

Finitura / finishing / finition / Покрытие

CR  
NN / BB  
TT / OZ / CN / NP

Ø 25 mm s/d  
35 CAIO 26



100 CR 8535 01

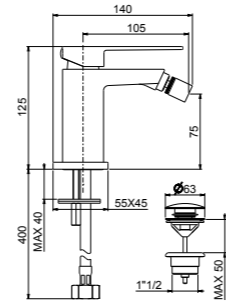


Miscelatore bidet, scarico click-clack spessore regolabile, flex antitorsione cm 50 3/8" F.

One hole bidet mixer, click-clack waste, antitorsion flex cm 50 3/8" F.

Mitigeur bidet, vidage click-clack, flexibles antitorsion cm 50 3/8" F.

Смеситель для биде, донный клапан, гибкая подводка 50 см 3/8" F.



100 CR 8536 01  
Miscelatore bidet, testa cieca, flex antitorsione cm 50 3/8" F.  
One hole bidet mixer, without waste, antitorsion flex cm 50 3/8" F.  
Mitigeur bidet, sans vidage, flexibles antitorsion cm 50 3/8" F.  
Смеситель для биде, без донного клапана, гибкая подводка 50 см 3/8" F.

Finitura / finishing / finition / Покрытие

CR  
NN / BB  
TT / OZ / CN / NP

Ø 25 mm s/d  
35 CAIO 26



1/2 100 CR 8535 02

1/2 100 CR 8536 02

16,5 kg  
box pcs. 10

Finitura / finishing / finition / Покрытие

CR  
NN / BB  
TT / OZ / CN / NP

100 CR 8542

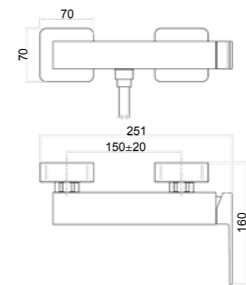


Miscelatore doccia esterno senza duplex.

External shower mixer without shower set.

Mitigeur douche extérieur sans garniture.

Смеситель для душа, внешний монтаж без душевого гарнитура.



Finitura / finishing / finition / Покрытие

CR  
NN / BB  
TT / OZ / CN / NP

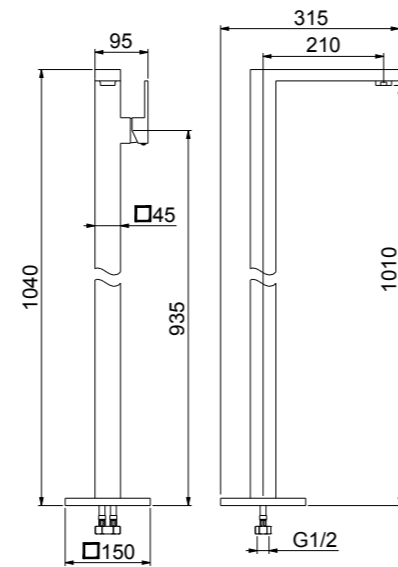
10,85 kg  
box pcs. 5

Ø 25 mm s/d  
35 CAIO 26

100 CR 8553



Miscelatore lavabo a pavimento.  
Floor-mounted wash basin mixer.  
Mitigeur lavabo pour montage en îlot.  
напольный смеситель для умывальника.



Finitura / finishing / finition / Покрытие

CR

8,4 kg  
box pcs. 1

100 CR 7515



Miscelatore doccia incasso.  
Built-in shower mixer.  
Mitigeur douche à encastrer.  
Смеситель для душа, скрытый монтаж, верхний душ.

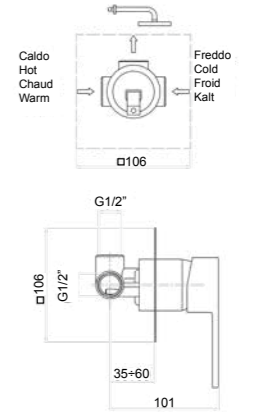
100 CR 7595  
Plastra 80x80mm  
Plate 80x80mm

CR  
NN / BB  
TT / OZ / CN / NP

10,4 kg  
box pcs. 10

Finitura / finishing / finition / Покрытие

CR  
NN / BB  
TT / OZ / CN / NP

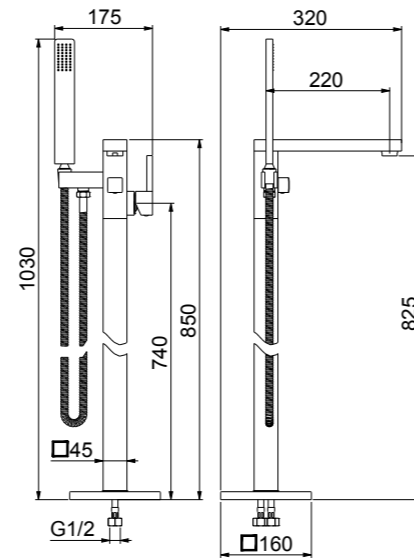


Ø 42 mm s/d  
35 CA10 31

100 CR 8554



Miscelatore vasca a pavimento con duplex.  
Floor-mounted bath mixer with shower set.  
Mitigeur bain douche pour montage en îlot.  
Напольный смеситель для ванны с душевым гарнитуром.



Finitura / finishing / finition / Покрытие

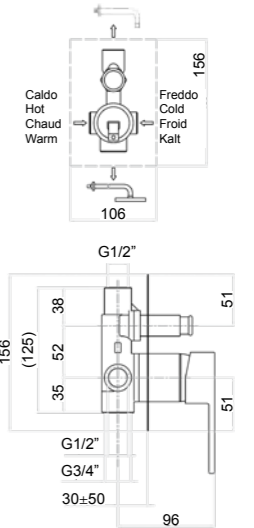
CR

10 kg  
box pcs. 1

100 CR 7517



Miscelatore doccia incasso con deviatore, due uscite.  
2-way built-in shower mixer with diverter.  
Mitigeur douche à encastrer avec inverseur, deux sorties.  
Смеситель для душа, скрытый монтаж, три выхода.



Ø 42 mm s/d  
35 CA10 31

Finitura / finishing / finition / Покрытие

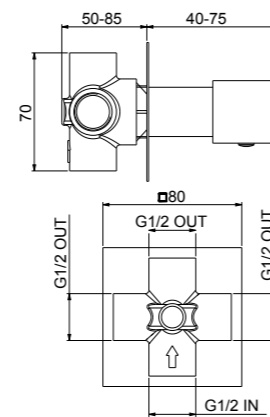
CR  
NN / BB  
TT / OZ / CN / NP

14,8 kg  
box pcs. 10

30 CR 8800



Deviatore incasso 3 vie.  
3-way built-in shower diverter.  
Inverseur 3 sorties encastré.  
Дивертер скрытый монтаж три выхода.



Finitura / finishing / finition / Покрытие

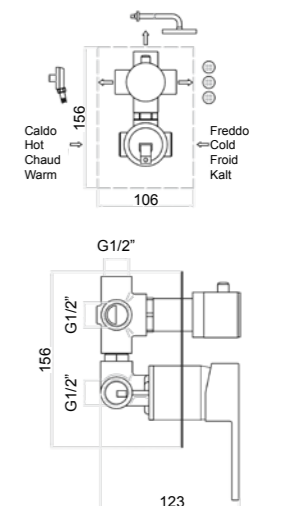
CR  
NN / BB  
TT / OZ / CN / NP

18 kg  
box pcs. 20

100 CR 7501



Miscelatore doccia incasso con deviatore, tre uscite.  
3-way built-in shower mixer with diverter.  
Mitigeur douche à encastrer avec inverseur, trois sorties.  
Смеситель для душа, скрытый монтаж, три выхода.



Ø 42 mm s/d  
35 CA10 31

Finitura / finishing / finition / Покрытие

CR  
NN / BB  
TT / OZ / CN / NP

18,8 kg  
box pcs. 10

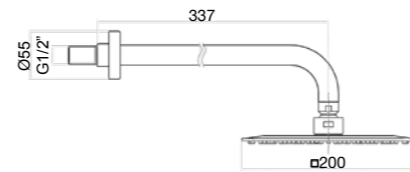
30 CR 8650

Soffione quadrato mm 200x200 ultra sottile in acciaio con braccio alimentazione laterale 350 mm.

Ultra-thin square shower head mm 200x200 in stainless steel with horizontal inlet arm 350 mm.

Pomme de douche carrée mm 200x200 ultrafine en inox avec bras mural 350 mm.

Настенный квадратный верхний душ 200x200мм, ультратонкий, с кронштейном 350мм.



Finitura / finishing / finition / Покрытие

CR  
NN / BB  
TT / OZ / CN / NP

14 kg  
box pcs. 10

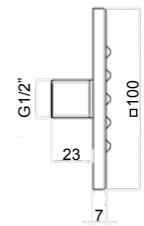
30 CR 8780

Soffioncino Body Spray quadrato 100x100 mm.

Square body spray shower jet 100x100 mm.

Jet "Body Spray" carré 100x100 mm.

Форсунка Body Spray квадратная 100x100мм.



Finitura / finishing / finition / Покрытие

CR  
NN / BB  
TT / OZ / CN / NP

30 CR 8789

Supporto doccetta monogetto e flessibile satilux.

Shower set composed of holder, monospray handshower and satilux flex hose.

Garniture de douche composée de support mural, douchette mono-jet et flexible satilux.

Набор лейка ,шланг подвод воды.



Finitura / finishing / finition / Покрытие

CR  
NN / BB  
TT / OZ / CN / NP

6 kg  
box pcs. 10

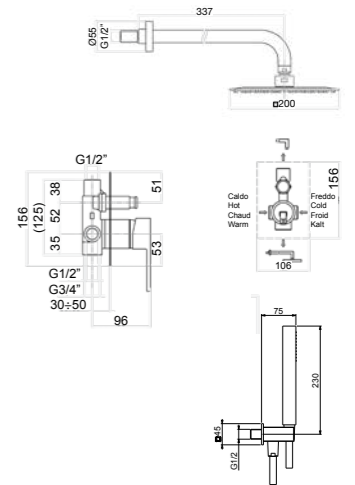
100 CR 7553

Miscelatore doccia incasso con deviatore, braccio doccia e soffione quadro in acciaio ultra sottile 200x200 mm, supporto con presa d'acqua, doccia quadra, flex satilux.

2-way built-in shower mixer with diverter, shower arm and ultra-thin square shower head 200x200 mm in stainless steel, wall holder and intake of water, square shower, satilux flex.

Mitigeur douche à encastrer avec inverseur, bras mural, pomme de douche carrée ultrafine en inox 200x200 mm, support mural avec prise d'eau, douche carrée, flexible satilux.

Смеситель для душа, скрытый монтаж, верхний/ручной душ,шланговое подсоединение с душевым гарнитуром.



Finitura / finishing / finition / Покрытие

CR  
NN / BB  
TT / OZ / CN / NP

Ø 42 mm s/d  
35 CA10 31

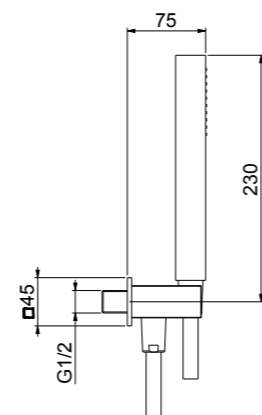
30 CR 8785

Kit supporto doccetta e flessibile satilux con presa acqua.

Shower set composed of holder, hand shower, satilux flex and intake of water.

Garniture de douche composée de support mural, douchette, flexible satilux et prise d'eau.

Набор лейка ,шланг подвод воды.



Finitura / finishing / finition / Покрытие

CR  
NN / BB  
TT / OZ / CN / NP

7 kg  
box pcs. 10

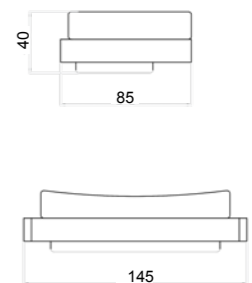
19 CR C011

Porta sapone in ceramica.

Soap holder in ceramic.

Porte-savon en céramique.

Мыльница керамическая с держателем.



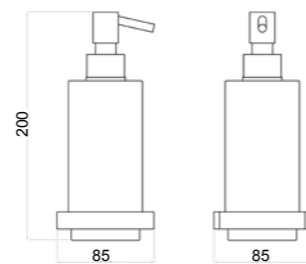
Finitura / finishing / finition / Покрытие

CR  
Finiture su richiesta  
Finishings on request

19 CR C211



Dispenser sapone liquido in ceramica.  
Liquid soap dispenser holder in ceramic.  
Porte-diffuseur de savon en céramique.  
Дозатор жидкого мыла керамический с держателем.



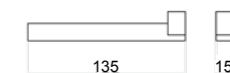
Finitura / finishing / finition / Покрытие

CR  
Finiture su richiesta  
Finishings on request

19 CR C520



Porta rotolo.  
Toilet roll holder.  
Porte-papier.  
Держатель туалетной бумаги.



Finitura / finishing / finition / Покрытие

CR  
Finiture su richiesta  
Finishings on request

19 CR C111



Porta bicchiere in ceramica.  
Tumbler holder in ceramic.  
Porte-verre en céramique.  
Стакан керамический с держателем.



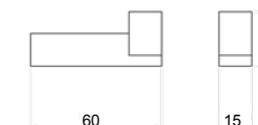
Finitura / finishing / finition / Покрытие

CR  
Finiture su richiesta  
Finishings on request

19 CR C601



Appendino.  
Hook.  
Porte-peignoir.  
Крючок для банного халата.



Finitura / finishing / finition / Покрытие

CR  
Finiture su richiesta  
Finishings on request

19 CR C400



Porta salvietta 30 cm.  
Towel rail 30 cm.  
Porte-serviette 30 cm.  
Держатель для полотенца 30 см.



Finitura / finishing / finition / Покрытие

CR  
Finiture su richiesta  
Finishings on request

19 CR C410  
Porta salvietta 40 cm.  
Tower rail 40 cm.  
Porte-serviette 40 cm.  
Держатель для полотенца 40 см.

Finitura / finishing / finition / Покрытие

CR

19 CR C420  
Porta salvietta 60 cm.  
Tower rail 60 cm.  
Porte-serviette 60 cm.  
Держатель для полотенца 60 см.

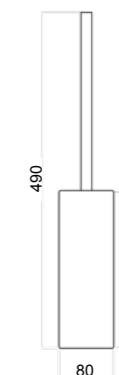
Finitura / finishing / finition / Покрытие

CR

19 CR C300



Porta scopino d'appoggio in ceramica.  
Standing toilet brush holder in ceramic.  
Porte-balai à poser en céramique.  
Туалетный ершик в наборе, напольная модель, керамическая колба.



Finitura / finishing / finition / Покрытие

CR  
Finiture su richiesta  
Finishings on request

# Kera

---

## Contemporary program

Finitura / finishing / finition / Покрытие

CR  
Cromo  
Chrome

NN  
Nero opaco  
Black mat

BB  
Bianco opaco  
White mat

NP  
Nichel opaco spazzolato  
Brushed nickel

TT  
Tuscany  
Tuscany

CN  
Cromo nero  
Black chrome

OZ  
Oro opaco spazzolato  
Brushed gold





88 CR 5515 01

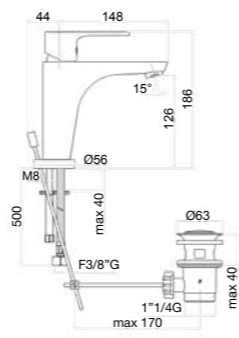


Miscelatore lavabo, scarico automatico 1"1/4, flex antitorsione cm 50 3/8"F.

One hole basin mixer, 1"1/4 pop up waste, antitorsion flex cm 50 3/8"F.

Mitigeur lavabo, vidage automatique 1"1/4, flexibles antitorsion cm 50 3/8"F.

Смеситель для умывальника, донный клапан 1"1/4, гибкая подводка 50 см 3/8"F.



88 CR 5516 01  
Miscelatore lavabo, testa cieca, flex antitorsione cm 50 3/8"F.  
One hole basin mixer, without waste, antitorsion flex cm 50 3/8"F.  
Mitigeur lavabo, sans vidage, flexibles antitorsion cm 50 3/8"F.  
Смеситель для умывальника, без донного клапана, гибкая подводка 50 см 3/8"F.

Finitura / finishing / finition / Покрытие

CR  
NN / BB  
TT / OZ / CN / NP

Ø 35 mm s/d  
35 CAIO 21



1/2 88 CR 5515 02 1/2 88 CR 5516 02

88CR5513  
Articolo con scarico click-clack in finitura colorata  
Item with click-clack waste in colour finishings

19,5 kg  
box pcs.10

Finitura / finishing / finition / Покрытие

CR  
NN / BB  
TT / OZ / CN / NP

88 CR 5514 01

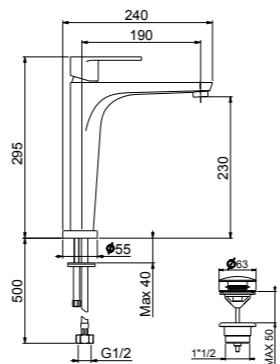


Miscelatore lavabo, bocca lunga, scarico click-clack, flex antitorsione cm 70 3/8"F.

One hole basin mixer, long spout, click-clack waste, antitorsion flex cm 70 3/8"F.

Mitigeur lavabo, bec long, vidage click-clack, antitorsion flexibles cm 70 3/8"F.

Смеситель для умывальника, донный клапан, гибкая подводка 70 см 3/8"F.



88 CR 5518 01  
Miscelatore lavabo, testa cieca, flex antitorsione cm 70 3/8"F.  
One hole basin mixer, without waste, antitorsion flex cm 70 3/8"F.  
Mitigeur lavabo, sans vidage, flexibles antitorsion cm 70 3/8"F.  
Смеситель для умывальника, без донного клапана, гибкая подводка 70 см 3/8"F.

Finitura / finishing / finition / Покрытие

CR  
NN / BB  
TT / OZ / CN / NP

Ø 35 mm s/d  
35 CAIO 21



1/2 88 CR 5514 02

1/2 88 CR 5518 02

14 kg  
box pcs. 5

Finitura / finishing / finition / Покрытие

CR  
NN / BB  
TT / OZ / CN / NP

88 CR 5535 01

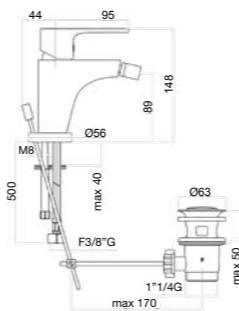


Miscelatore bidet, scarico automatico 1"1/4, flex antitorsione cm 50 3/8"F.

One hole bidet mixer, 1"1/4 automatic pop up waste, antitorsion flex cm 50 3/8"F.

Mitigeur bidet, vidage automatique 1"1/4, flexibles antitorsion cm 50 3/8"F.

Смеситель для биде, донный клапан 1"1/4, гибкая подводка 50 см 3/8"F.



88 CR 5536  
Miscelatore bidet, testa cieca, flex antitorsione cm 50 3/8"F.  
One hole bidet mixer, without waste, antitorsion flex cm 50 3/8"F.  
Mitigeur bidet, sans vidage, flexibles antitorsion cm 50 3/8"F.  
Смеситель для биде, без донного клапана, гибкая подводка 50 см 3/8"F.

Finitura / finishing / finition / Покрытие

CR  
NN / BB  
TT / OZ / CN / NP

Ø 35 mm s/d  
35 CAIO 21



1/2 88 CR 5535 02 1/2 88 CR 5536 02

88CR5533  
Articolo con scarico click-clack in finitura colorata  
Item with click-clack waste in colour finishings

17,7 kg  
box pcs.10

Finitura / finishing / finition / Покрытие

CR  
NN / BB  
TT / OZ / CN / NP

88 CR 7527



Miscelatore lavabo a muro.

Wall basin mixer.

Mitigeur lavabo mural.

Смеситель для умывальника, скрытый монтаж.

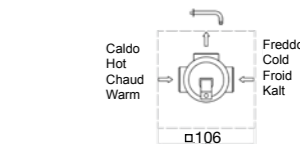
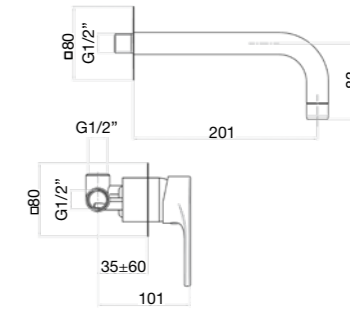
Ø80 88 CR 7547  
Plastre tonde da Ø80mm  
Round plate Ø80mm

CR  
NN / BB  
TT / OZ / CN / NP

12,1 kg  
box pcs. 10

Finitura / finishing / finition / Покрытие

CR  
NN / BB  
TT / OZ / CN / NP



Ø 42 mm s/d  
35 CAIO 31

88 CR 5550

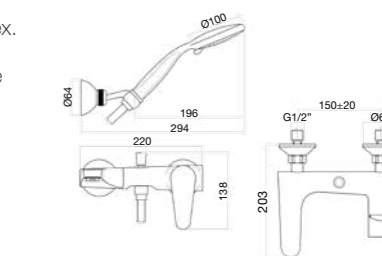


Miscelatore vasca con duplex, doccia idromassaggio Siro, flex satilux.

Bath mixer with shower set, Siro massage shower, satilux flex.

Mitigeur bain douche avec garniture, douche hydromassage Siro, flexible satilux.

Смеситель для ванны с душевым гарнитуром.



88 CR 5551  
Miscelatore vasca senza duplex.  
Bath mixer without shower set.  
Mitigeur bain douche sans garniture.  
Смеситель для ванны без душевого гарнитура.

Finitura / finishing / finition / Покрытие

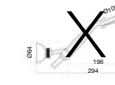
CR  
NN / BB  
TT / OZ / CN / NP

14,35 kg  
box pcs. 5

Finitura / finishing / finition / Покрытие

CR  
NN / BB  
TT / OZ / CN / NP

Ø 35 mm s/d  
35 CAIO 21



88 CR 5540

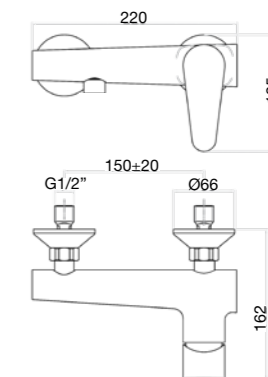


Miscelatore doccia esterno senza duplex.

External shower mixer without shower set.

Mitigeur douche extérieur sans garniture.

Смеситель для душа, внешний монтаж без душевого гарнитура.



Finitura / finishing / finition / Покрытие

CR  
NN / BB  
TT / OZ / CN / NP

10,85 kg  
box pcs. 5

Ø 35 mm s/d  
35 CAIO 21

88 CR 7565

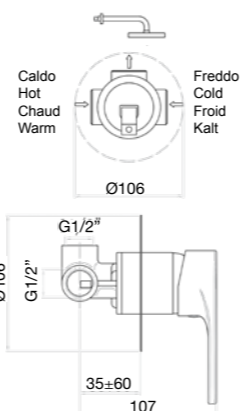


88 CR 7596  
Piastra Ø80mm  
Plate Ø80mm  
CR  
NN / BB  
TT / OZ / CN / NP  
10 kg  
box pcs. 10

Miscelatore doccia incasso.  
Built-in shower mixer.  
Mitigeur douche à encastrer.  
Смеситель для душа, скрытый монтаж, верхний душ.

Finitura / finishing / finition / Покрытие

CR  
NN / BB  
TT / OZ / CN / NP



Ø 42 mm s/d  
35 CA10 31

88 CR 7515

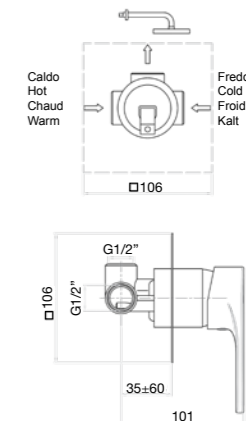


88 CR 7595  
Piastra 80x80mm  
Plate 80x80mm  
CR  
NN / BB  
TT / OZ / CN / NP  
10 kg  
box pcs. 10

Miscelatore doccia incasso.  
Built-in shower mixer.  
Mitigeur douche à encastrer.  
Смеситель для душа, скрытый монтаж, верхний душ.

Finitura / finishing / finition / Покрытие

CR  
NN / BB  
TT / OZ / CN / NP



Ø 42 mm s/d  
35 CA10 31

88 CR 7506

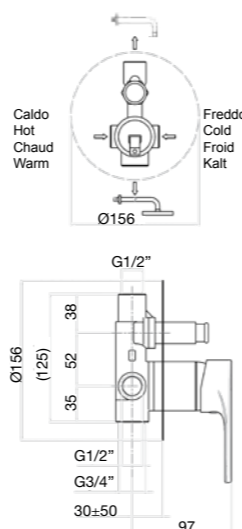


14,6 kg  
box pcs. 10

Miscelatore doccia incasso con deviatore, due uscite.  
2-way built-in shower mixer with diverter.  
Mitigeur douche à encastrer avec inverseur, deux sorties.  
Смеситель для душа, скрытый монтаж, три выхода.

Finitura / finishing / finition / Покрытие

CR  
NN / BB  
TT / OZ / CN / NP



Ø 42 mm s/d  
35 CA10 31

88 CR 7517

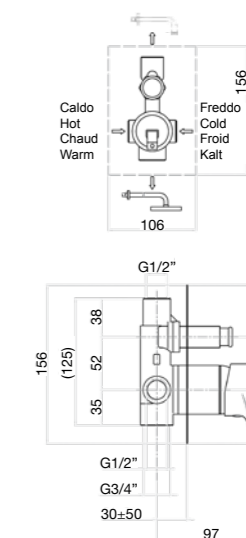


13,8 kg  
box pcs. 10

Miscelatore doccia incasso con deviatore, due uscite.  
2-way built-in shower mixer with diverter.  
Mitigeur douche à encastrer avec inverseur, deux sorties.  
Смеситель для душа, скрытый монтаж, три выхода.

Finitura / finishing / finition / Покрытие

CR  
NN / BB  
TT / OZ / CN / NP



Ø 42 mm s/d  
35 CA10 31

88 CR 7561

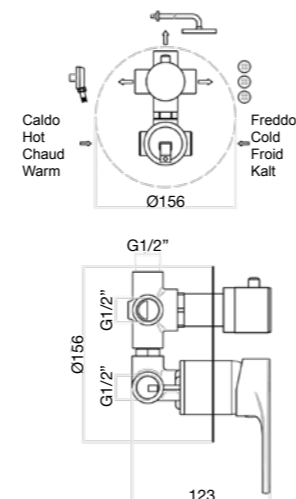


19,1 kg  
box pcs. 10

Miscelatore doccia incasso con deviatore, tre uscite.  
3-way built-in shower mixer with diverter.  
Mitigeur douche à encastrer avec inverseur, trois sorties.  
Смеситель для душа, скрытый монтаж, три выхода.

Finitura / finishing / finition / Покрытие

CR  
NN / BB  
TT / OZ / CN / NP



Ø 42 mm s/d  
35 CA10 31

88 CR 7501

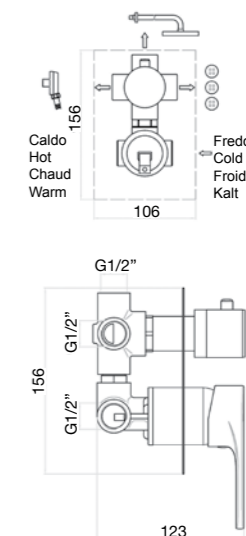


18,8 kg  
box pcs. 10

Miscelatore doccia incasso con deviatore, tre uscite.  
3-way built-in shower mixer with diverter.  
Mitigeur douche à encastrer avec inverseur, trois sorties.  
Смеситель для душа, скрытый монтаж, три выхода.

Finitura / finishing / finition / Покрытие

CR  
NN / BB  
TT / OZ / CN / NP



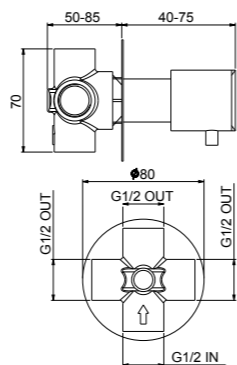
Ø 42 mm s/d  
35 CA10 31



30 CR 8810



Deviatore incasso 3 vie.  
3-way built-in shower diverter.  
Inverseur 3 sorties encastré.  
Дивертер скрытый монтаж три выхода.



Finitura / finishing / finition / Покрытие

CR  
NN / BB  
TT / OZ / CN / NP

18 kg  
box pcs. 20

30 CR 8630

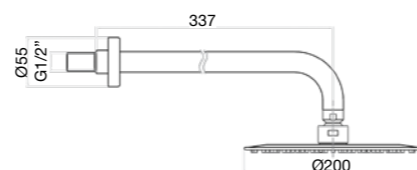


Soffione tondo Ø 200 mm ultra sottile in acciaio con braccio alimentazione laterale 350 mm.

Ultra-thin round shower head Ø 200 mm in stainless steel with horizontal inlet arm 350 mm.

Pomme de douche ronde Ø 200 mm ultrafine en inox avec bras mural 350 mm.

Настенный круглый верхний душ Ø 200мм, ультратонкий, с кронштейном 350мм.



Finitura / finishing / finition / Покрытие

CR  
NN / BB  
TT / OZ / CN / NP

13 kg  
box pcs. 10

88 CR 7554

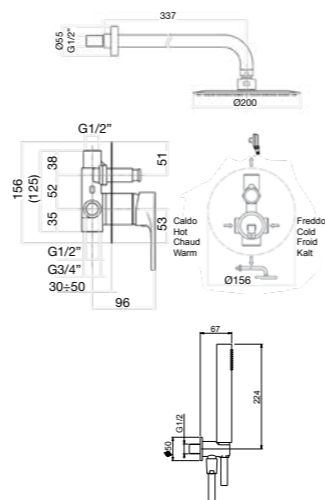


Miscelatore doccia incasso con deviatore, braccio doccia e soffione tondo in acciaio ultra sottile Ø200 mm, supporto con presa d'acqua, doccia minimal, flex satilux.

2-way built-in shower mixer with diverter, shower arm and ultra-thin round shower head Ø200 mm in stainless steel, wall holder and intake of water, minimal shower, satilux flex.

Mitigeur douche à encastrer avec inverseur, bras mural, pomme de douche ronde ultrafine en inox Ø200 mm, support mural avec prise d'eau, douche minimal, flexible satilux.

Смеситель для душа, скрытый монтаж, верхний/ручной душ, шланговое подсоединение с душевым гарнитуром.



Finitura / finishing / finition / Покрытие

CR  
NN / BB  
TT / OZ / CN / NP

Ø 42 mm s/d  
35 CAIO 31

30 CR 8784

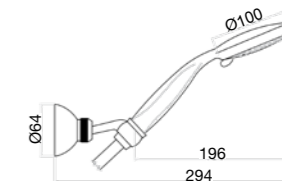


Kit supporto doccetta e flessibile satilux.

Shower set composed of holder, handshower and satilux flex hose.

Garniture de douche composée de support mural, douchette et flexible satilux.

Набор лейка, шланг подвод воды.



Finitura / finishing / finition / Покрытие

CR  
NN / BB  
TT / OZ / CN / NP

6,5 kg  
box pcs. 10

30 CR 8786

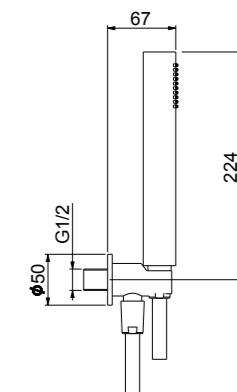


Kit supporto doccetta e flessibile satilux con presa acqua.

Shower set composed of holder, hand shower, satilux flex and intake of water.

Garniture de douche composée de support mural, douchette, flexible satilux et prise d'eau.

Набор лейка, шланг подвод воды.



Finitura / finishing / finition / Покрытие

CR  
NN / BB  
TT / OZ / CN / NP

6,4 kg  
box pcs. 10

30 CR 8781

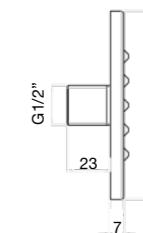


Soffioncino Body Spray tondo Ø100 mm.

Round body spray shower jet Ø100 mm.

Jet "Body Spray" rond Ø 100 mm.

Форсунка Body Spray круглая Ø100мм.



Finitura / finishing / finition / Покрытие

CR  
NN / BB  
TT / OZ / CN / NP

# Katana

---

Contemporary  
program

Finitura / finishing / finition / Покрытие

CR  
Cromo  
Chrome

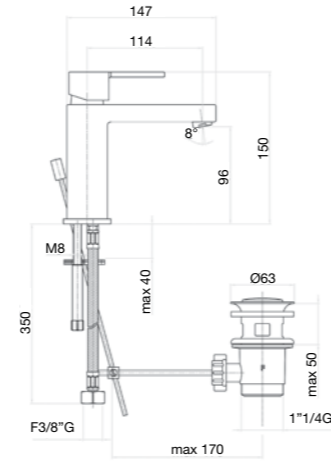




77 CR 7520 01



Miscelatore lavabo, scarico automatico 1"1/4, flex cm. 35 3/8"F.  
 One hole basin mixer, 1"1/4 pop up waste, flex cm 35 3/8"F.  
 Mitigeur lavabo, vidage automatique 1"1/4, flex cm 35 3/8"F.  
 Смеситель для умывальника, донный клапан 1"1/4, гибкая подводка 35 см 3/8"F.



Finitura / finishing / finition / Покрытие

1/2 77 CR 7520 02

16,7 kg  
box pcs. 10

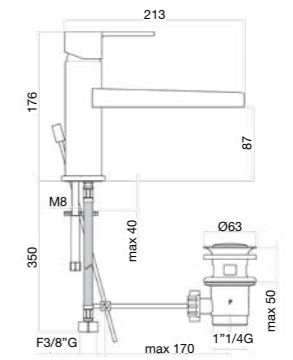
CR

Ø 25 mm s/d  
35 CA10 25

77 CR 7545 01



Miscelatore lavabo a cascata bocca lunga, scarico automatico 1"1/4, flex cm 35 3/8"F.  
 Waterfall basin mixer, long spout, 1"1/4 aut. pop up waste, flex cm 35 3/8"F.  
 Mitigeur lavabo à cascade bec long, vidage aut. 1"1/4, flex cm 35 3/8"F.  
 Смеситель для умывальника, донный клапан 1"1/4, гибкая подводка 35 см. водопад 3/8"F.



Finitura / finishing / finition / Покрытие

1/2 77 CR 7545 02

22 kg  
box pcs. 10

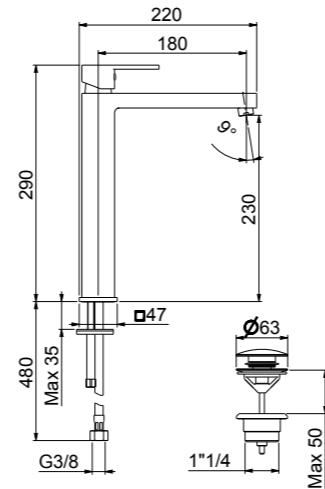
CR

Ø 35 mm c/d  
35 CA10 42

77 CR 7591 01



Miscelatore lavabo alto, bocca lunga, scarico click-clack, flex cm 70 3/8"F.  
 One hole basin mixer, high body, long spout, click-clack waste, flex cm 70 3/8"F.  
 Mitigeur lavabo haut, bec long, vidage click-clack, flex cm 70 3/8"F.  
 Смеситель для умывальника, донный клапан, гибкая подводка 70 см 3/8"F.



Finitura / finishing / finition / Покрытие

1/2 77 CR 7591 02

11,45 kg  
box pcs. 5

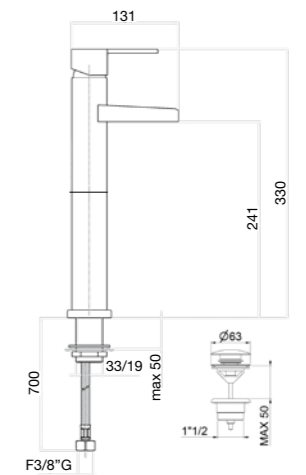
CR

Ø 25 mm s/d  
35 CA10 25

77 CR 7592 01



Miscelatore lavabo a cascata con prolunga, scarico click-clack, flex cm 70 3/8"F.  
 Waterfall basin mixer with extension, click-clack waste, flex cm 70 3/8"F.  
 Mitigeur lavabo cascade avec rallonge, vidage click-clack, flex cm 70 3/8"F.  
 Смеситель для умывальника, донный клапан, гибкая подводка 70 см. водопад 3/8"F.



Finitura / finishing / finition / Покрытие

1/2 77 CR 7592 02

13,2 kg  
box pcs. 5

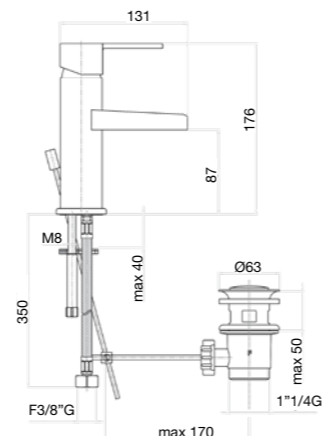
CR

Ø 35 mm c/d  
35 CA10 42

77 CR 7526 01



Miscelatore lavabo a cascata, scarico automatico 1"1/4, flex cm 35 3/8"F.  
 Waterfall basin mixer, 1"1/4 aut pop up waste, flex cm 35 3/8"F.  
 Mitigeur lavabo à cascade, vidage aut. 1"1/4, flex cm 35 3/8"F.  
 Смеситель для умывальника, донный клапан 1"1/4, гибкая подводка 35 см. водопад 3/8"F.



Finitura / finishing / finition / Покрытие

1/2 77 CR 7526 02

21,3 kg  
box pcs. 10

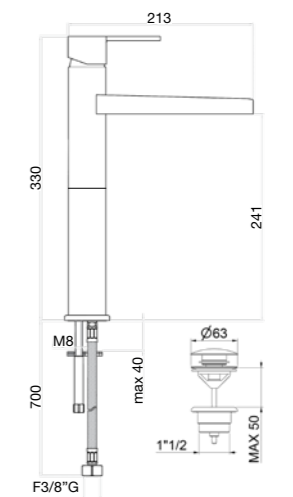
CR

Ø 35 mm c/d  
35 CA10 42

77 CR 7593 01



Miscelatore lavabo a cascata con bocca lunga e prolunga, scarico click-clack, flex cm 70 3/8"F.  
 Waterfall basin mixer with extension and long spout, click-clack waste, flex cm 70 3/8"F.  
 Mitigeur lavabo cascade avec rallonge et bec long, vidage click-clack, flex cm 70 3/8"F.  
 Смеситель для умывальника, донный клапан, гибкая подводка 70 см. водопад 3/8"F.



Finitura / finishing / finition / Покрытие

1/2 77 CR 7593 02

14 kg  
box pcs. 5

CR

Ø 35 mm c/d  
35 CA10 42

77 CR 7530 01

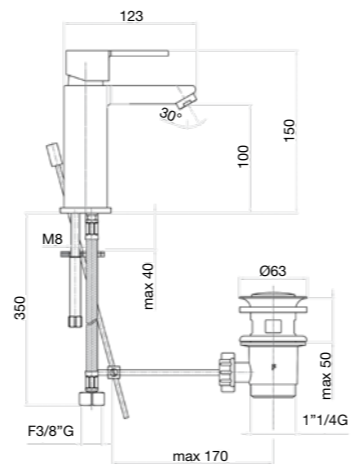


Miscelatore bidet, scarico automatico 1" 1/4, flex cm 35 3/8"F.

One hole bidet mixer, 1"1/4 automatic pop up waste, flex cm 35 3/8"F.

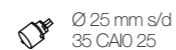
Mitigeur bidet, vidage automatique 1"1/4, flex cm 35 3/8"F.

Смеситель для биде, донный клапан 1"1/4, гибкая подводка 35 см 3/8"F.



Finitura / finishing / finition / Покрытие

CR



1/2 77 CR 7530 02

17,1 kg box pcs. 10

77 CR 7550



Miscelatore vasca con duplex, doccia quadra.

Bath mixer with square shower set.

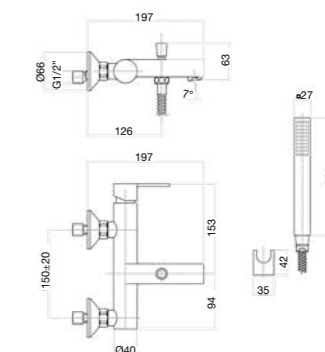
Mitigeur bain douche avec garniture, douche carrée.

Смеситель для ванны с душевым гарнитуром.

Finitura / finishing / finition / Покрытие

CR

14,2 kg box pcs. 5



77 CR 7551  
Miscelatore vasca senza duplex.  
Bath mixer without shower set.  
Mitigeur bain douche sans garniture.  
Смеситель для ванны без душевого гарнитура.

Finitura / finishing / finition / Покрытие

CR

Ø 25 mm s/d 35 CAIO 25

77 CR 7527

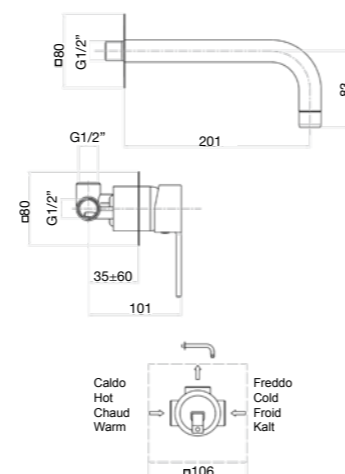


Miscelatore lavabo a muro.

Wall basin mixer.

Mitigeur lavabo mural.

Смеситель для умывальника, скрытый монтаж.



Finitura / finishing / finition / Покрытие

CR

Ø 42 mm s/d 35 CAIO 31

77 CR 7547  
Plastre tonde da Ø80mm  
Round plate Ø80mm  
CR

12,6 kg box pcs. 10

77 CR 7575



Miscelatore doccia esterno senza duplex.

External shower mixer without shower set.

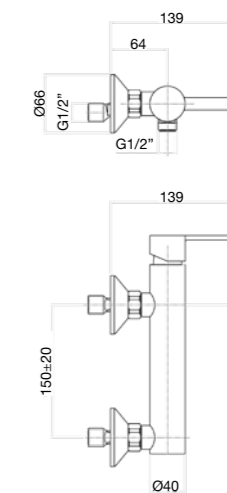
Mitigeur douche extérieure sans garniture.

Смеситель для душа, внешний монтаж без душевого гарнитура.

Finitura / finishing / finition / Покрытие

CR

10,25 kg box pcs. 5



Ø 25 mm s/d 35 CAIO 25

77 CR 7724

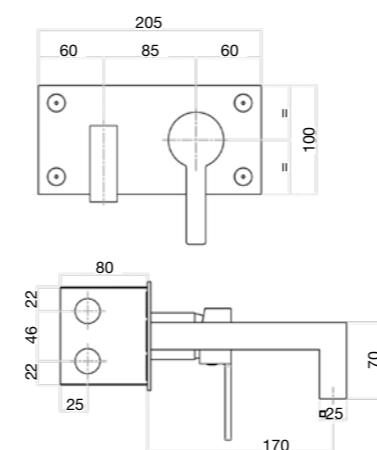


Miscelatore lavabo a muro.

Wall basin mixer.

Mitigeur lavabo mural.

Смеситель для умывальника, скрытый монтаж.



Finitura / finishing / finition / Покрытие

CR

Ø 35 mm s/d 35 CAIO 21

8,5 kg box pcs. 5

30 CR 8796



Kit supporto doccia monogetto e flessibile doppia aggiratura.

Shower set composed of holder, monospray handshower and double seam flex.

Garniture de douche composée de support mural, douchette mono-jet et flexible double agrafage.

Набор лейка ,шланг подвод воды.

Finitura / finishing / finition / Покрытие

CR

6 kg box pcs. 10



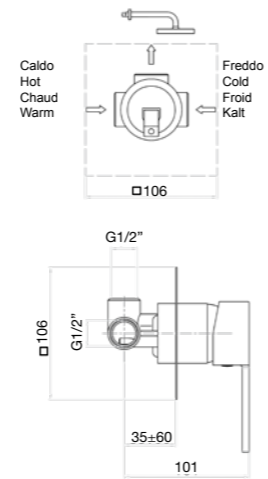
77 CR 7515



77 CR 7595  
Plastra 80x80mm  
Plate 80x80mm  
CR  
9 kg  
box pcs. 10

Miscelatore doccia incasso.  
Built-in shower mixer.  
Mitigeur douche à encastrer.  
Смеситель для душа, скрытый монтаж.

Finitura / finishing / finition / Покрытие  
CR



Ø 42 mm s/d  
35 CA10 31

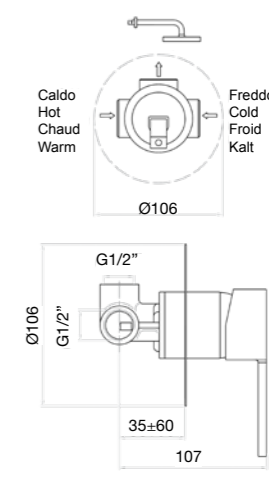
77 CR 7565



77 CR 7596  
Plastra Ø80mm  
Plate Ø80mm  
CR  
9 kg  
box pcs. 10

Miscelatore doccia incasso.  
Built-in shower mixer.  
Mitigeur douche à encastrer.  
Смеситель для душа, скрытый монтаж.

Finitura / finishing / finition / Покрытие  
CR



Ø 42 mm s/d  
35 CA10 31

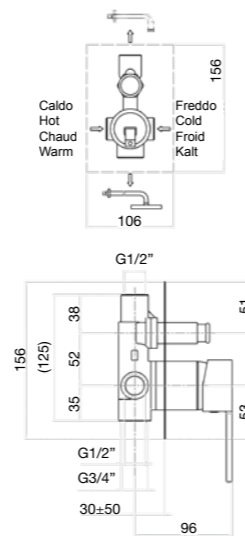
77 CR 7517



14 kg  
box pcs. 10

Miscelatore doccia incasso con deviatore, due uscite.  
2-way built-in shower mixer with diverter.  
Mitigeur douche à encastrer avec inverseur, deux sorties.  
Смеситель для ванны, скрытый монтаж.

Finitura / finishing / finition / Покрытие  
CR



Ø 42 mm s/d  
35 CA10 31

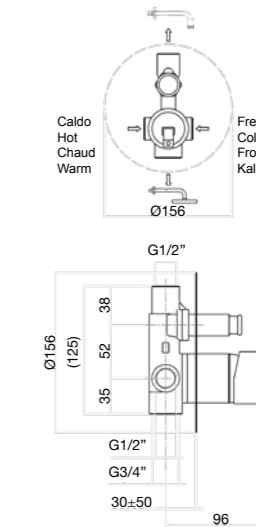
77 CR 7506



14 kg  
box pcs. 10

Miscelatore doccia incasso con deviatore, due uscite.  
2-way built-in shower mixer with diverter.  
Mitigeur douche à encastrer avec inverseur, deux sorties.  
Смеситель для ванны, скрытый монтаж.

Finitura / finishing / finition / Покрытие  
CR



Ø 42 mm s/d  
35 CA10 31

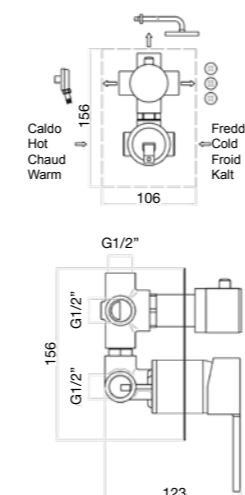
77 CR 7501



18,8 kg  
box pcs. 10

Miscelatore doccia incasso con deviatore, tre uscite.  
3-way built-in shower mixer with diverter.  
Mitigeur douche à encastrer avec inverseur, trois sorties.  
Смеситель для душа, скрытый монтаж, три выхода.

Finitura / finishing / finition / Покрытие  
CR



Ø 42 mm s/d  
35 CA10 31

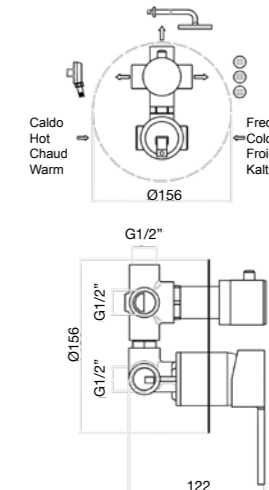
77 CR 7561



18,8 kg  
box pcs. 10

Miscelatore doccia incasso con deviatore, tre uscite.  
3-way built-in shower mixer with diverter.  
Mitigeur douche à encastrer avec inverseur, trois sorties.  
Смеситель для душа, скрытый монтаж, три выхода.

Finitura / finishing / finition / Покрытие  
CR



Ø 42 mm s/d  
35 CA10 31

# Xenon

Contemporary  
program

Finitura / finishing / finition / Покрытие

CR	AA
Cromo	Acciaio
Chrome	Steel







44 CR 5283 01

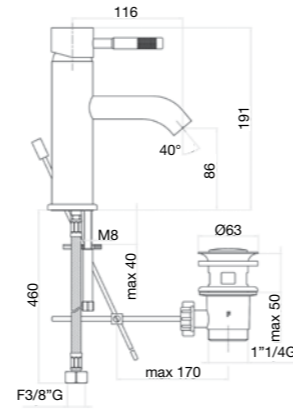


Miscelatore lavabo, scarico automatico 1"1/4, flex cm 46 3/8"F.

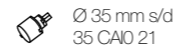
One hole basin mixer, 1"1/4 automatic pop up waste, flex cm 46 3/8"F.

Mitigeur lavabo, vidage automatique 1"1/4, flexibles cm 46 3/8"F.

Смеситель для умывальника, донный клапан 1"1/4, гибкая подводка 46 см 3/8"F.



Finitura / finishing / finition / Покрытие



1/2 44 CR 5283 02



CR  
AA

44 CR 5288 01

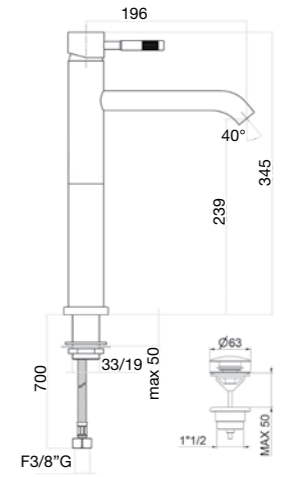


Miscelatore lavabo, bocca lunga e prolunga cm 15, scarico click-clack, flex cm 70 3/8"F.

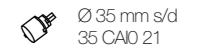
One hole basin mixer, long spout and extension cm 15, click-clack waste, flex cm 70 3/8"F.

Mitigeur lavabo, bec long et rallonge cm 15, vidage click-clack, flexibles cm 70 3/8"F.

Смеситель для умывальника, донный клапан, гибкая подводка 70 см 3/8"F.



Finitura / finishing / finition / Покрытие



1/2 44 CR 5288 02



CR  
AA

44 CR 5284 01

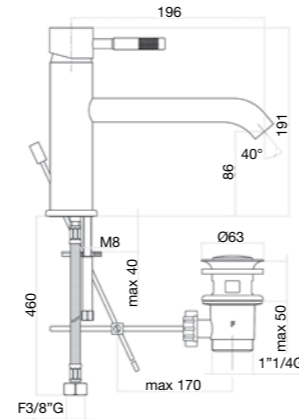


Miscelatore lavabo bocca lunga, scarico automatico 1"1/4, flex cm 46 3/8"F.

One hole basin mixer long spout, 1"1/4 automatic pop up waste, flex cm 46 3/8"F.

Mitigeur lavabo bec long, vidage automatique 1"1/4, flexibles cm 46 3/8"F.

Смеситель для умывальника, донный клапан 1"1/4, гибкая подводка 46 см 3/8"F.



Finitura / finishing / finition / Покрытие



1/2 44 CR 5284 02



CR  
AA

44 CR 5271 01

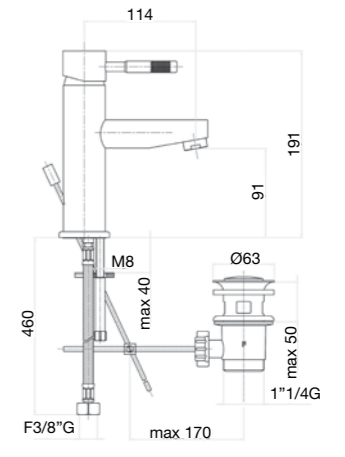


Miscelatore lavabo, scarico automatico 1"1/4, flex cm 46 3/8"F.

One hole basin mixer, 1"1/4 automatic pop up waste, flex cm 46 3/8"F.

Mitigeur lavabo, vidage automatique 1"1/4, flexibles cm 46 3/8"F.

Смеситель для умывальника, донный клапан 1"1/4, гибкая подводка 46 см 3/8"F.



Finitura / finishing / finition / Покрытие



1/2 44 CR 5271 02



CR  
AA

44 CR 5287 01

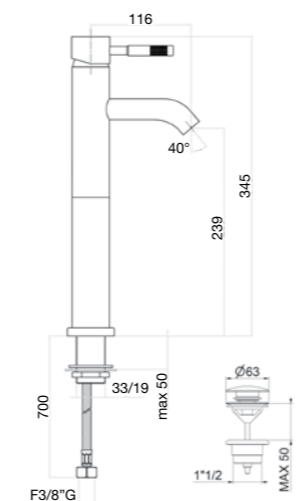


Miscelatore lavabo, prolunga cm 15, scarico click-clack, flex cm 70 3/8"F.

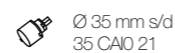
One hole basin mixer, extension cm 15, click-clack waste, flex cm 70 3/8"F.

Mitigeur lavabo, rallonge cm 15, vidage click-clack, flexibles cm 70 3/8"F.

Смеситель для умывальника, донный клапан, гибкая подводка 70 см 3/8"F.



Finitura / finishing / finition / Покрытие



1/2 44 CR 5287 02



CR  
AA

44 CR 5276 01

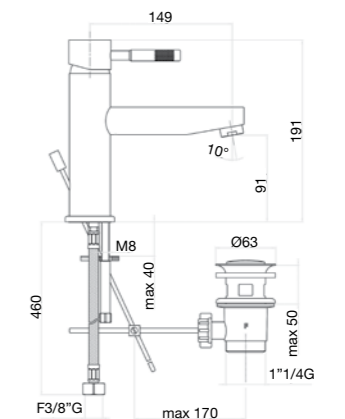


Miscelatore lavabo bocca lunga, scarico automatico 1"1/4, flex cm 46 3/8"F.

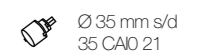
One hole basin mixer long spout, 1"1/4 automatic pop up waste, flex cm 46 3/8"F.

Mitigeur lavabo bec long, vidage automatique 1"1/4, flexibles cm 46 3/8"F.

Смеситель для умывальника, донный клапан 1"1/4, гибкая подводка 46 см 3/8"F.



Finitura / finishing / finition / Покрытие



1/2 44 CR 5276 02



CR  
AA

44 CR 5290 01

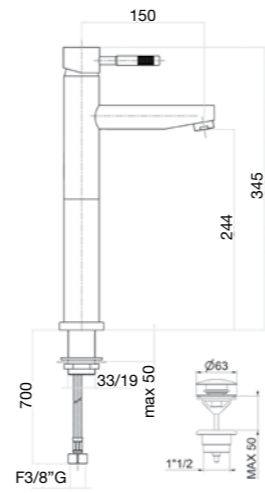


Miscelatore lavabo, prolunga cm 15, scarico click-clack, flex cm 70 3/8"F.

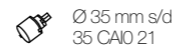
One hole basin mixer, 15 cm extension, click-clack waste, flex 70 3/8"F.

Mitigeur lavabo avec rallonge cm 15, vidage click-clack, flexibles cm 70 3/8"F.

Смеситель для умывальника высокий, донный клапан, гибкая подводка 70 см 3/8"F.



Finitura / finishing / finition / Покрытие



1/2 44 CR 5290 02

15 kg box pcs. 5

CR AA

44 CR 5265 01

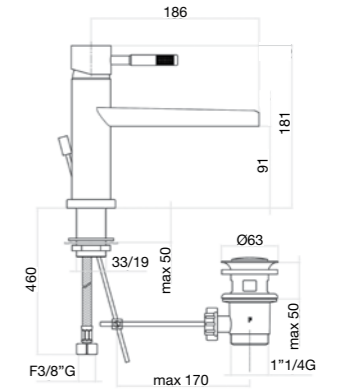


Miscelatore lavabo cascata bocca lunga, scarico automatico 1"1/4, flex cm 46 3/8"F.

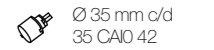
One hole basin mixer, waterfall, long spout, 1"1/4 automatic pop up waste, flex cm 46 3/8"F.

Mitigeur lavabo cascade, bec long, vidage automatique 1"1/4, flexibles cm 46 3/8"F.

Смеситель для умывальника, донный клапан 1"1/4, гибкая подводка 46 см 3/8"F.



Finitura / finishing / finition / Покрытие



1/2 44 CR 5265 02

14 kg box pcs. 5

CR AA

44 CR 5291 01

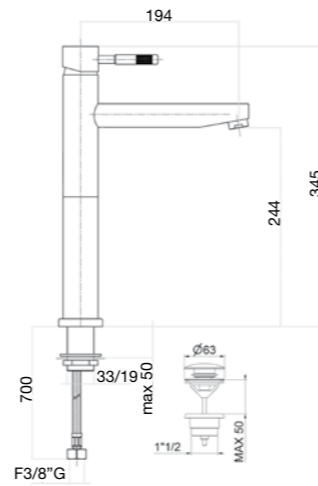


Miscelatore lavabo prolunga cm 15, bocca lunga, scarico click-clack, flex cm 70 3/8"F.

One hole basin mixer, 15 cm extension, long spout, click-clack waste, flex 70 3/8"F.

Mitigeur lavabo avec rallonge cm 15, bec long, vidage click-clack, flexibles cm 70 3/8"F.

Смеситель для умывальника высокий, донный клапан, гибкая подводка 70 см 3/8"F.



Finitura / finishing / finition / Покрытие



1/2 44 CR 5291 02

17 kg box pcs. 5

CR AA

44 CR 5292 01

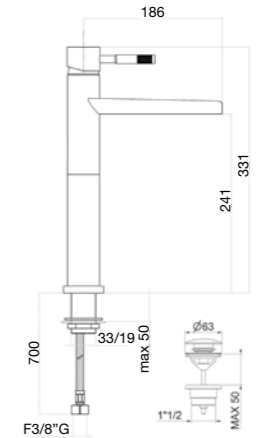


Miscelatore lavabo cascata bocca lunga e prolunga cm 15, scarico click-clack, flex cm 70 3/8"F.

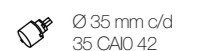
One hole basin mixer waterfall, long spout and cm 15 extension, click-clack waste, flex cm 70 3/8"F.

Mitigeur lavabo cascade rallonge cm 15, bec long, vidage click-clack, flexibles cm 70 3/8"F.

Смеситель для умывальника, донный клапан, гибкая подводка 70 см. водопад 3/8"F.



Finitura / finishing / finition / Покрытие



1/2 44 CR 5292 02

17 kg box pcs. 5

CR AA

44 CR 5262 01

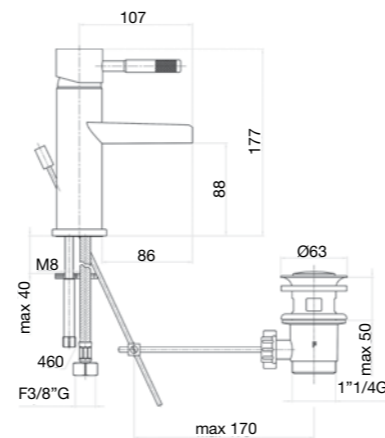


Miscelatore lavabo cascata, scarico aut. 1"1/4, flex cm 46 3/8"F.

One hole basin mixer, waterfall, 1"1/4 pop up waste, flex cm 46 3/8"F.

Mitigeur lavabo cascade, vidage automatique 1"1/4, flexibles cm 46 3/8"F.

Смеситель для умывальника, донный клапан 1"1/4, гибкая подводка 46 см. водопад 3/8"F.



Finitura / finishing / finition / Покрытие



1/2 44 CR 5262 02

14 kg box pcs. 5

CR AA

44 CR 7728

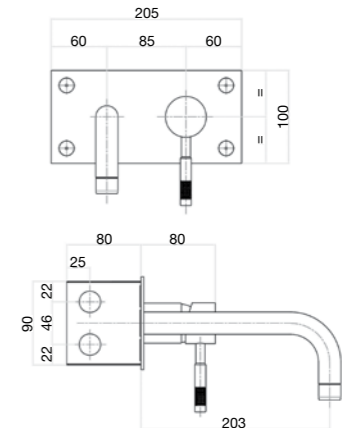


Miscelatore lavabo piastra a parete, senza scarico.

Wall plate basin mixer without pop up waste.

Mitigeur lavabo plaque murale, sans vidage.

Смеситель для умывальника.

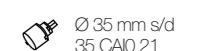


Finitura / finishing / finition / Покрытие



11,45 kg box pcs. 5

CR AA



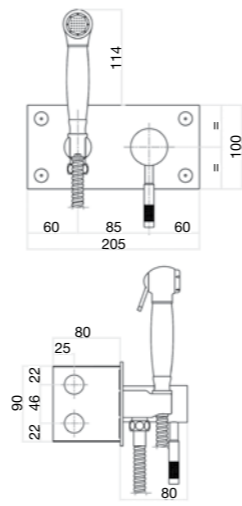
44 CR 7768



18 kg  
box pcs. 5

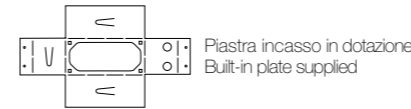
Miscelatore bidet piastra a parete.  
Wall plate bidet mixer.  
Mitigeur bidet plaque murale.  
Смеситель для биде.

Finitura / finishing / finition / Покрытие  
CR  
AA



Ø 35 mm s/d  
35 CAIO 21

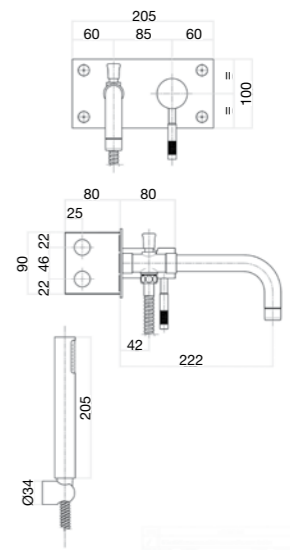
44 CR 7715



15,65 kg  
box pcs. 5

Miscelatore vasca piastra a parete, con duplex.  
Wall plate bath mixer with shower set.  
Mitigeur bain douche plaque murale, avec garniture.  
Смеситель для ванны с душевым гарнитуром.

Finitura / finishing / finition / Покрытие  
CR  
AA



Ø 35 mm s/d  
35 CAIO 21

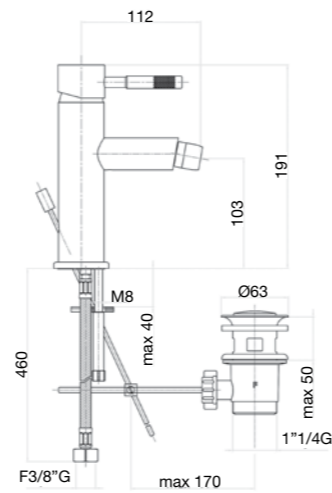
44 CR 5371 01



1/2 44 CR 5371 02  
13,6 kg  
box pcs. 5

Miscelatore bidet, scarico automatico 1"1/4, flex cm 46 3/8"F.  
One hole bidet mixer, 1"1/4 pop up waste, flex cm 46 3/8"F.  
Mitigeur bidet, vidage automatique 1"1/4, flex cm 46 3/8"F.  
Смеситель для биде, донный клапан 1"1/4, гибкая подводка 46 см 3/8"F.

Finitura / finishing / finition / Покрытие  
CR  
AA



Ø 35 mm s/d  
35 CAIO 21

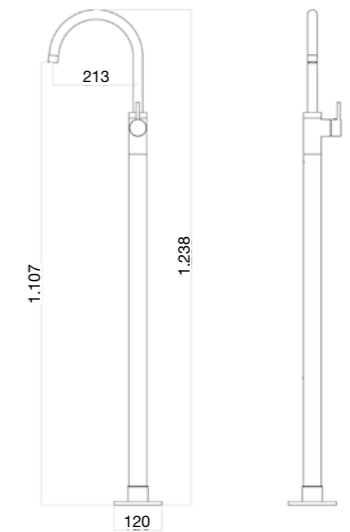
44 CR 5142



8,4 kg  
box pcs. 1

Miscelatore lavabo a pavimento.  
Floor-mounted wash basin mixer.  
Mitigeur lavabo pour montage en îlot.  
напольный смеситель для умывальника.

Finitura / finishing / finition / Покрытие  
CR



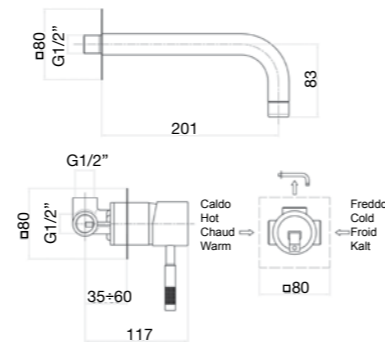
44 CR 5227



44 CR 7547  
Plastre tonde da Ø80mm  
Round plate Ø80mm  
CR  
AA  
13,3 kg  
box pcs. 10

Miscelatore lavabo a muro.  
Wall basin mixer.  
Mitigeur lavabo mural.  
Смеситель для умывальника, скрытый монтаж.

Finitura / finishing / finition / Покрытие  
CR  
AA



Ø 42 mm s/d  
35 CAIO 31

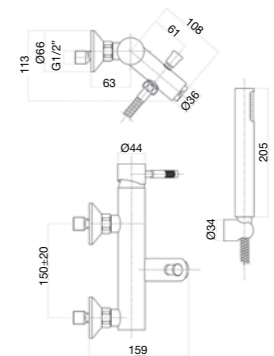
44 CR 5150



21,5 kg  
box pcs. 5

Miscelatore vasca con duplex, doccia minimal.  
Bath mixer with shower set, minimal shower.  
Mitigeur bain douche avec garniture, douche minimale.  
Смеситель для ванны с душевым гарнитуром.

Finitura / finishing / finition / Покрытие  
CR  
AA

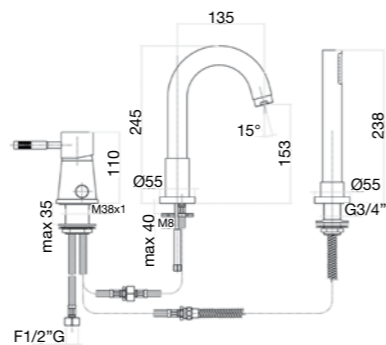


44 CR 5151  
Miscelatore vasca senza duplex.  
Bath mixer without shower set.  
Mitigeur bain douche sans garniture.  
Смеситель для ванны без душевого гарнитура.  
Finitura / finishing / finition / Покрытие  
CR  
AA  
Ø 35 mm s/d  
35 CAIO 21

44 CR 5155



Miscelatore bordo vasca 3 fori con doccia.  
3-hole bath mixer with shower.  
Mitigeur bain douche à 3 trous avec douche.  
Смеситель на борт ванны на 3 отверстия с душевым гарнитуром.



Finitura / finishing / finition / Покрытие

CR  
AA

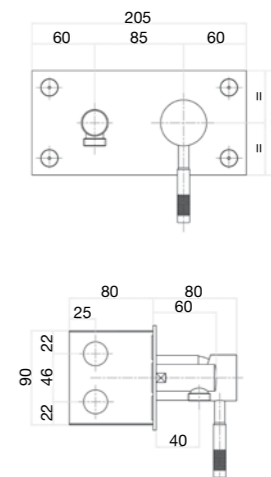
22,3 kg  
box pcs. 5

Ø 42 mm s/d  
35 CA10 31

44 CR 7718



Miscelatore doccia piastra a parete, senza duplex.  
Wall plate shower mixer without shower set.  
Mitigeur douche plaque murale, sans garniture.  
Смеситель для душа без душевого гарнитура.



Finitura / finishing / finition / Покрытие

CR  
AA

18,5 kg  
box pcs. 5

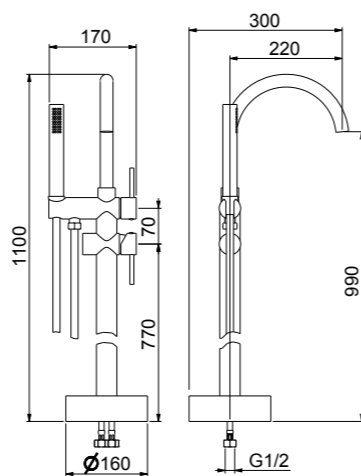
Ø 35 mm s/d  
35 CA10 21



44 CR 5145



Miscelatore vasca a pavimento con duplex.  
Floor-mounted bath mixer with shower set.  
Mitigeur bain douche pour montage en îlot.  
Напольный смеситель для ванны с душевым гарнитуром.



Finitura / finishing / finition / Покрытие

CR

10 kg  
box pcs. 1

30 CR 8791



Kit supporto doccetta monogetto e flessibile doppia aggraffatura.  
Shower set composed of holder, monospray handshower and double seam flex.

Garniture de douche composée de support mural, douchette mono-jet et flexible double agrafage.

Набор лейка ,шланг подвод воды.



Finitura / finishing / finition / Покрытие

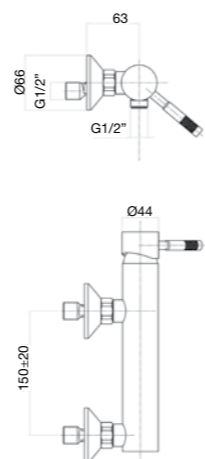
CR  
AA

6 kg  
box pcs. 10

44 CR 5170



Miscelatore doccia esterno senza duplex, attacco 1/2".  
External shower mixer without shower set, 1/2" connection.  
Mitigeur douche extérieur sans garniture, connection 1/2".  
Смеситель для душа, внешний монтаж без душевого гарнитура , подключение 1/2\"/>



Finitura / finishing / finition / Покрытие

CR  
AA

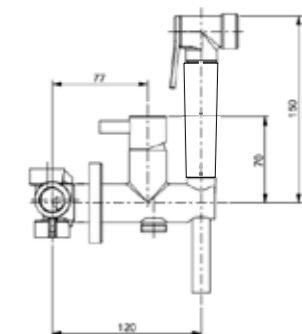
18,5 kg  
box pcs. 5

Ø 35 mm s/d  
35 CA10 21

44 CR 5158



Miscelatore monocomando a parete con doccetta igienica PVC a pulsante.  
Single lever mixer with hygienic shower PVC with trigger.  
Mitigeur mural avec douchette hygiène PVC à bouton.  
Смеситель, встраиваемый в стену, с гигиеническим душем из PVC.



Finitura / finishing / finition / Покрытие

CR

18 kg  
box pcs. 10

Ø 25 mm s/d  
35 CA10 26

44 CR 5168

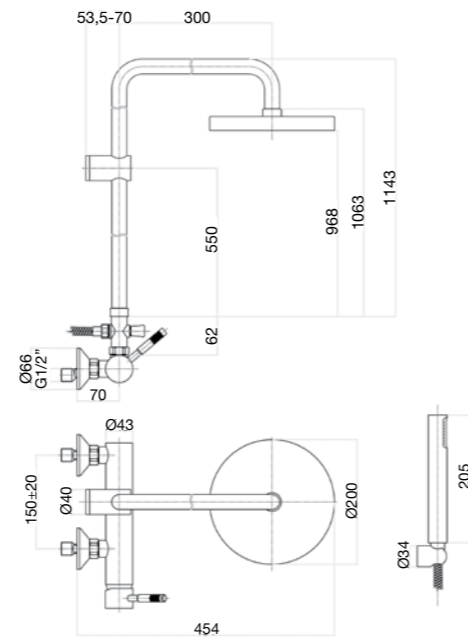


Miscelatore doccia esterno con deviatore, colonna 114 cm e soffione 200 mm tondo in ottone, con duplex.

External shower mixer with diverter, 114 cm rail and 200 mm round brass shower head, shower set.

Mitigeur douche extérieur avec inverseur, colonne 114 cm et pomme de douche ronde en laiton 200 mm, garniture.

Смеситель для душа, настенный монтаж, верхний/ручной душ, с душевым гарнитуром.



Finitura / finishing / finition / Покрытие

CR

Ø 35 mm s/d  
35 CA10 21

35,8 kg  
box pcs. 1

44 CR 5189

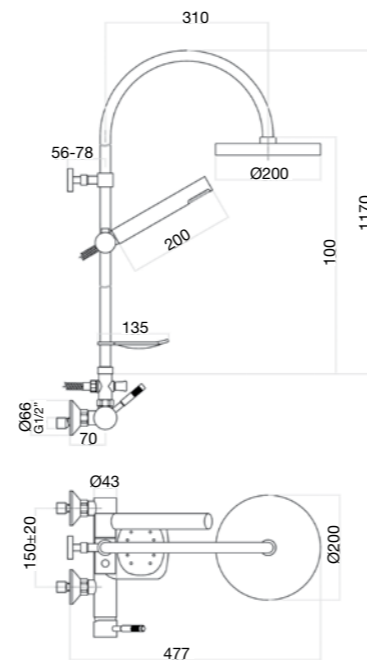


Miscelatore doccia esterno con colonna, soffione tondo in ABS, doccia minimal.

External shower mixer with rail, round chrome ABS shower head, minimal shower.

Mitigeur douche extérieur avec colonne, pomme de douche ronde en ABS chromée, douche minimale.

Смеситель для душа, настенный монтаж, верхний/ручной душ, с душевым гарнитуром.



Finitura / finishing / finition / Покрытие

CR

Ø 35 mm s/d  
35 CA10 21

33,15 kg  
box pcs. 1

44 CR 7515

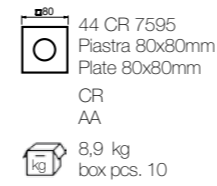


Miscelatore doccia incasso.

Built-in shower mixer.

Mitigeur douche à encastrer.

Смеситель для душа, скрытый монтаж.



Finitura / finishing / finition / Покрытие

CR  
AA

44 CR 7517



Miscelatore doccia incasso con deviatore, due uscite.

2-way built-in shower mixer with diverter.

Mitigeur douche à encastrer avec inverseur, deux sorties.

Смеситель для душа, скрытый монтаж.



Finitura / finishing / finition / Покрытие

CR  
AA

44 CR 7501



Miscelatore doccia incasso con deviatore, tre uscite.

3-way built-in shower mixer with diverter.

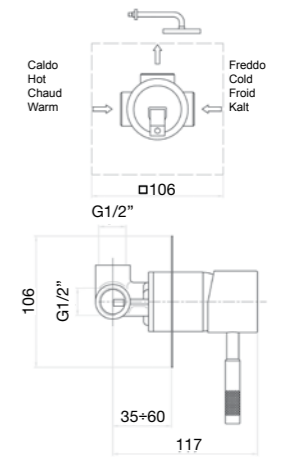
Mitigeur douche à encastrer avec inverseur, trois sorties.

Смеситель для душа, скрытый монтаж, три выхода.

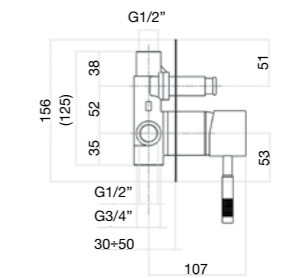
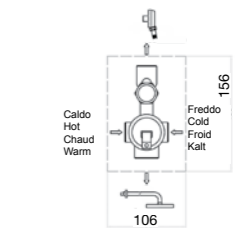


Finitura / finishing / finition / Покрытие

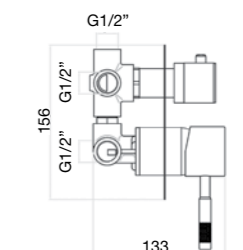
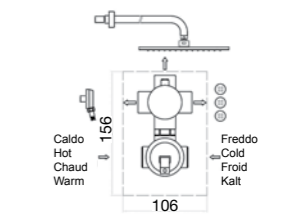
CR  
AA



Ø 42 mm s/d  
35 CA10 31



Ø 42 mm s/d  
35 CA10 31



Ø 42 mm s/d  
35 CA10 31

### 80 CR 8200 01

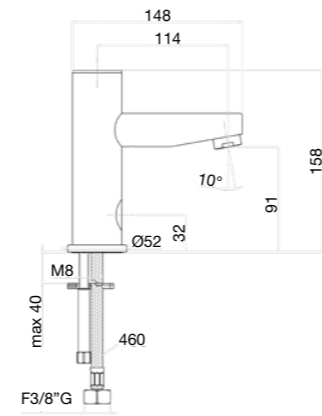


Rubinetto lavabo elettronico, bocca cm 11, flex cm 46 3/8" F.

Electronical basin tap, 11 cm spout, flex cm 46 3/8" F.

Robinet électronique, bec cm 11, flexibles cm 46 3/8" F.

Электронный кран для умывальника, гибкая подводка 46 см 3/8" F.



Finitura / finishing / finition / Покрытие

CR

1/2 80 CR 8200 02

11,55 kg  
box pcs. 5



### 80 CR 8281 01

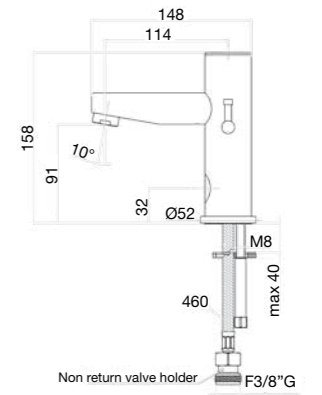


Miscelatore lavabo elettronico, bocca cm 11, flex cm 46 3/8" F.

Electronical basin mixer, 11 cm spout, flex cm 46 3/8" F.

Mitigeur électronique, bec cm 11, flexibles cm 46 3/8" F.

Электронный смеситель для умывальника, гибкая подводка 46 см. 3/8" F.



Finitura / finishing / finition / Покрытие

CR

1/2 80 CR 8281 02

13,1 kg  
box pcs. 5



### 80 CR 8210 01

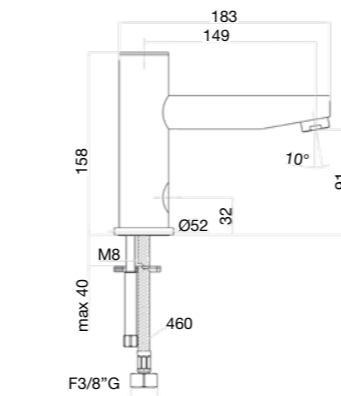


Rubinetto lavabo elettronico, bocca cm 15, flex cm 46 3/8" F.

Electronical basin tap, 15 cm spout, flex cm 46 3/8" F.

Robinet électronique, bec cm 15, flexibles cm 46 3/8" F.

Электронный кран для умывальника, гибкая подводка 46 см 3/8" F.



Finitura / finishing / finition / Покрытие

CR

1/2 80 CR 8210 02

9,6 kg  
box pcs. 5



### 80 CR 8282 01

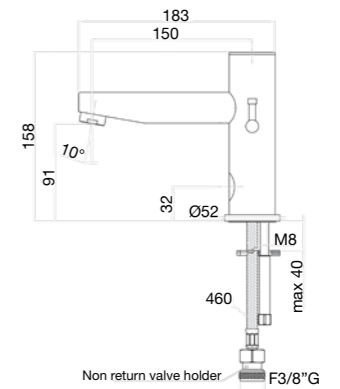


Miscelatore lavabo elettronico, bocca cm 15, flex cm 46 3/8" F.

Electronical basin mixer, 15 cm spout, flex cm 46 3/8" F.

Mitigeur électronique, bec cm 15, flexibles cm 46 3/8" F.

Электронный кран для умывальника, гибкая подводка 46 см 3/8" F.



Finitura / finishing / finition / Покрытие

CR

1/2 80 CR 8282 02

13,7 kg  
box pcs. 5



### 80 CR 8215 01

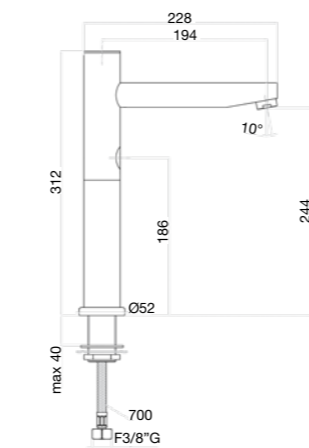


Rubinetto lavabo elettronico con prolunga cm 15, bocca cm 19, flex cm 70 3/8" F.

Electronical basin tap with cm 15 extension, 19 cm spout, flex cm 70 3/8" F.

Robinet électronique avec rallonge 15 cm, bec cm 19, flexible cm 70 3/8" F.

Электронный смеситель высокий, гибкая подводка 70 см. 3/8" F.



Finitura / finishing / finition / Покрытие

CR

1/2 80 CR 8215 02

13,1 kg  
box pcs. 5



### 80 CR 8275 01

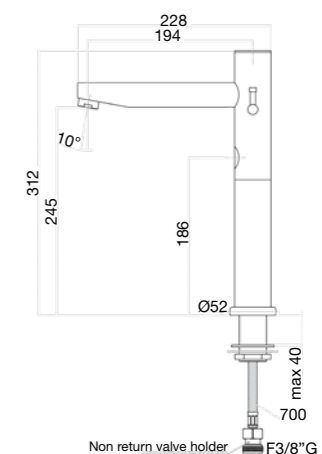


Miscelatore lavabo elettronico con prolunga cm 15, flex cm 70 3/8" F.

Electronical basin mixer with 15 cm extension, flex cm 70 3/8" F.

Mitigeur électronique avec rallonge 15 cm, flexibles cm 70 3/8" F.

Электронный смеситель высокий, гибкая подводка 70 см. 3/8" F.



Finitura / finishing / finition / Покрытие

CR

1/2 80 CR 8275 02

13,3 kg  
box pcs. 5



# Kalos

---

Contemporary  
program

Finitura / finishing / finition / Покрытие

CR  
Cromo  
Chrome







76 CR 7420 01

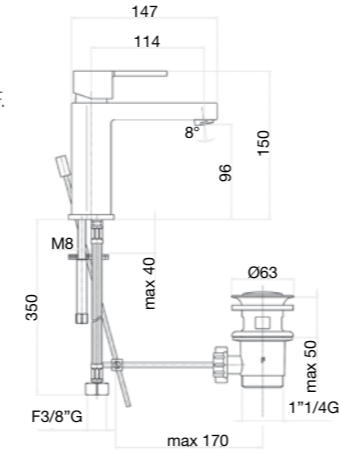


Miscelatore lavabo, scarico automatico 1" 1/4, flex cm 35 3/8"F.

One hole basin mixer, 1"1/4 automatic pop up waste, flex cm 35 3/8"F.

Mitigeur lavabo, vidage automatique 1"1/4, flexibles cm 35 3/8"F.

Смеситель для умывальника, донный клапан 1"1/4, гибкая подводка 35 см 3/8"F.



Finitura / finishing / finition / Покрытие

CR

1/2 76 CR 7420 02

17,2 kg box pcs. 10

Ø 25 mm s/d 35 CAIO 25

76 CR 7450

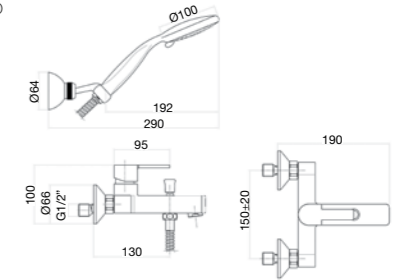


Miscelatore vasca con duplex, doccia idromassaggio Siro.

Bath mixer with shower set, Siro massage shower.

Mitigeur bain douche avec garniture, douche hydromassage Siro.

Смеситель для ванны с душевым гарнитуром.



Finitura / finishing / finition / Покрытие

CR

14,15 kg box pcs. 5

76 CR 7451 Miscelatore vasca senza duplex. Bath mixer without shower set. Mitigeur bain douche sans garniture. Смеситель для ванны без душевого гарнитура.

Finitura / finishing / finition / Покрытие CR

Ø 25 mm s/d 35 CAIO 25

76 CR 7430 01

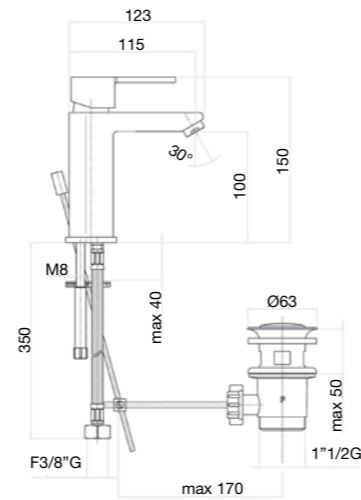


Miscelatore bidet, scarico automatico 1" 1/4, flex cm 35 3/8"F.

One hole bidet mixer, 1"1/4 automatic pop up waste, flex cm 35 3/8"F.

Mitigeur bidet, vidage automatique 1"1/4, flex cm 35 3/8"F.

Смеситель для биде, донный клапан 1"1/4, гибкая подводка 35 см 3/8"F.



Finitura / finishing / finition / Покрытие

CR

1/2 76 CR 7430 02

18,4 kg box pcs. 10

Ø 25 mm s/d 35 CAIO 25

76 CR 7475

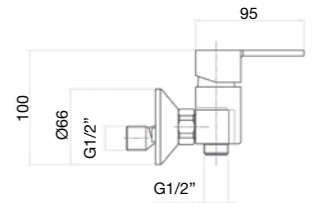


Miscelatore doccia esterno senza duplex.

External shower mixer without shower set.

Mitigeur douche extérieur sans garniture.

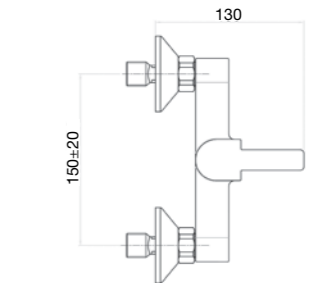
Смеситель для душа, внешний монтаж без душевого гарнитура.



Finitura / finishing / finition / Покрытие

CR

10,4 kg box pcs. 5



Ø 25 mm s/d 35 CAIO 25

76 CR 7427

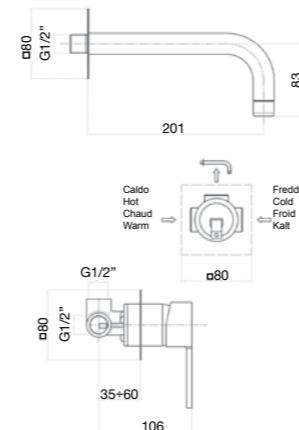


Miscelatore lavabo a muro.

Wall basin mixer.

Mitigeur lavabo mural.

Смеситель для умывальника, скрытый монтаж.



Finitura / finishing / finition / Покрытие

CR

76 CR 7547 Piastre tonde da Ø80mm Round plate Ø80mm CR

12,9 kg box pcs. 10

Ø 42 mm s/d 35 CAIO 31

30 CR 8795

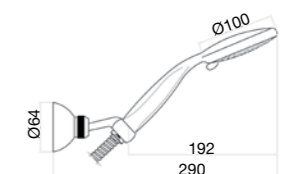


Kit supporto doccia monogetto e flessibile doppia aggraffatura.

Shower set composed of holder, monospray handshower and double seam flex.

Garniture de douche composée de support mural, douchette mono-jet et flexible double agrafage.

Набор лейка ,шланг подвод воды.



Finitura / finishing / finition / Покрытие

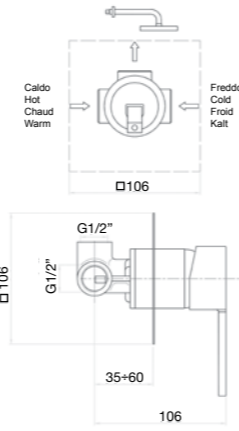
CR

6,5 kg box pcs. 10

76 CR 7415



Miscelatore doccia incasso.  
 Built-in shower mixer.  
 Mitigeur douche à encastrer.  
 Смеситель для душа, скрытый монтаж.



76 CR 7496  
 Piastra 80x80mm  
 Plate 80x80mm  
 CR  
 9,4 kg  
 box.pcs. 10

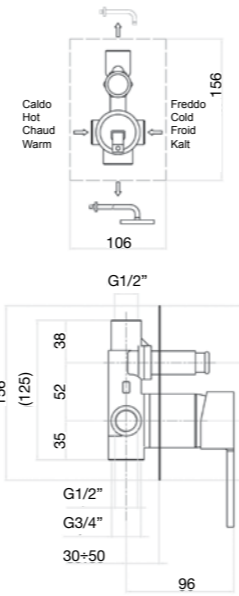
Finitura / finishing / finition / Покрытие  
 CR

Ø 42 mm s/d  
 35 CAIO 31

76 CR 7417



Miscelatore doccia incasso con deviatore, due uscite.  
 2-way built-in shower mixer with diverter.  
 Mitigeur douche à encastrer avec inverseur, deux sorties.  
 Смеситель для душа, скрытый монтаж.



14,3 kg  
 box.pcs. 10

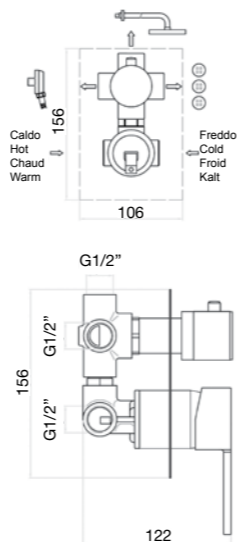
Finitura / finishing / finition / Покрытие  
 CR

Ø 42 mm s/d  
 35 CAIO 31

76 CR 7501



Miscelatore doccia incasso con deviatore, tre uscite.  
 3-way built-in shower mixer with diverter.  
 Mitigeur douche à encastrer avec inverseur, trois sorties.  
 Смеситель для душа, скрытый монтаж, три выхода.



19,1 kg  
 box.pcs. 10

Finitura / finishing / finition / Покрытие  
 CR

Ø 42 mm s/d  
 35 CAIO 31



XT  
—

## Contemporary program

Finitura / finishing / finition / Покрытие

CR  
Cromo  
Chrome



25 CR 0522 01

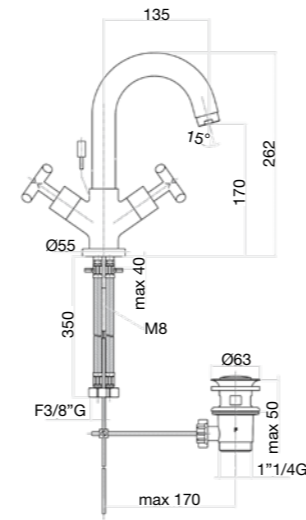


Monoforo lavabo, scarico automatico 1"1/4, flex cm 35 3/8"F.

One hole basin mixer, 1"1/4 automatic pop up waste, flex cm 35 3/8"F.

Mélangeur monotrou lavabo, vidage automatique 1"1/4, flexibles cm 35 3/8"F.

Смеситель для умывальника на 1 отверстие, автоматический донный клапан 1"1/4, гибкая подводка 35 см 3/8" F.



Finitura / finishing / finition / Покрытие

CR

Vitone ceramico, 1/4 di giro  
1/4 turn ceramic head work

25 CR 0522 02

13,85 kg  
box pcs. 5

25 CR 0532 01

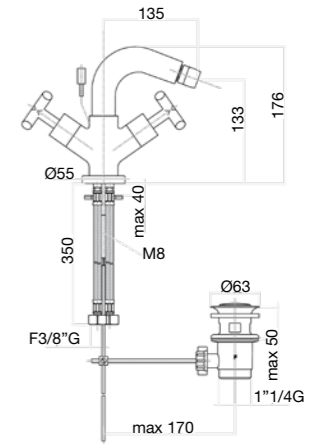


Monoforo bidet, scarico automatico 1"1/4, flex cm 35 3/8"F.

One hole bidet mixer, 1"1/4 automatic pop up waste, flex cm 35 3/8"F.

Mélangeur monotrou bidet, vidage automatique 1"1/4, flexibles cm 35 3/8"F.

Смеситель для биде на 1 отверстие, автоматический донный клапан 1"1/4, гибкая подводка 35 см 3/8" F.



Finitura / finishing / finition / Покрытие

CR

Vitone ceramico, 1/4 di giro  
1/4 turn ceramic head work

25 CR 0532 02

12,95 kg  
box pcs. 5

25 CR 0527

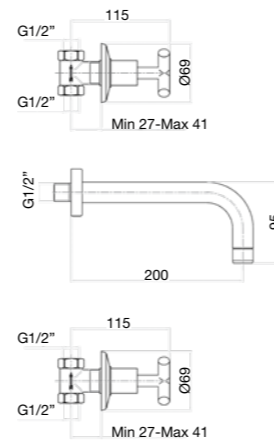


Batteria lavabo a muro.

Wall basin mixer.

Mélangeur lavabo mural.

Смеситель настенный для умывальника на 3 отверстия, скрытый монтаж.



Finitura / finishing / finition / Покрытие

CR

Vitone ceramico, 1/4 di giro  
1/4 turn ceramic head work

10 kg  
box pcs. 5

25 CR 0538

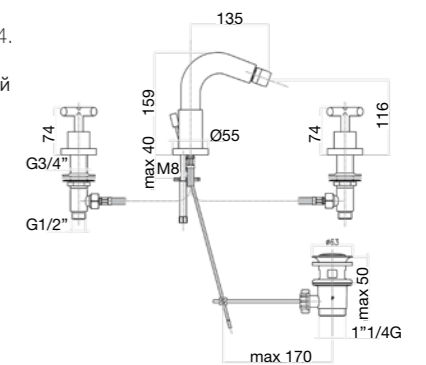


Batteria bidet 3 fori, scarico automatico 1"1/4.

3-hole bidet mixer, 1"1/4 automatic pop up waste.

Mélangeur bidet à 3 trous, vidage automatique 1"1/4.

Смеситель для биде на 3 отверстия, автоматический донный клапан 1"1/4.



Finitura / finishing / finition / Покрытие

CR

Vitone ceramico, 1/4 di giro  
1/4 turn ceramic head work

13,75 kg  
box pcs. 5

25 CR 0528

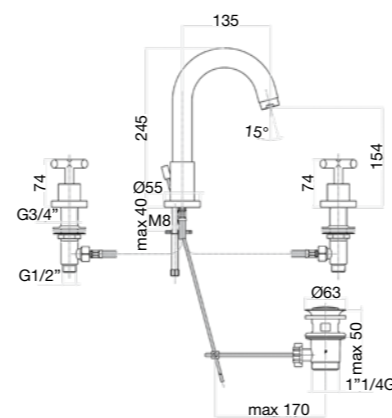


Batteria lavabo 3 fori, scarico automatico 1"1/4.

3-hole wash basin mixer, 1"1/4 automatic pop up waste.

Mélangeur lavabo à 3 trous, vidage automatique 1"1/4.

Смеситель для умывальника на 3 отверстия, автоматический донный клапан 1"1/4.



Finitura / finishing / finition / Покрытие

CR

Vitone ceramico, 1/4 di giro  
1/4 turn ceramic head work

14,8 kg  
box pcs. 5

25 CR 0536

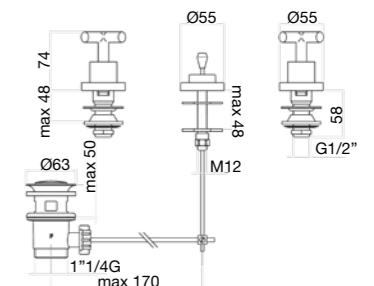


Batteria bidet 3 fori, scarico automatico 1"1/4.

3-hole bidet mixer, 1"1/4 automatic pop up waste.

Mélangeur bidet à 3 trous, vidage automatique 1"1/4.

Смеситель для биде на 3 отверстия, автоматический донный клапан 1"1/4.



Finitura / finishing / finition / Покрытие

CR

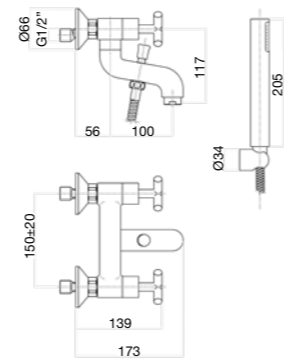
Vitone ceramico, 1/4 di giro  
1/4 turn ceramic head work

9 kg  
box pcs. 5

25 CR 0510



Gruppo vasca con duplex.  
 Bath mixer with shower set.  
 Mélangeur bain douche avec garniture.  
 Смеситель для ванны с душевым гарнитуром.



Finitura / finishing / finition / Покрытие

CR

25 CR 0511  
 Miscelatore vasca senza duplex.  
 Bath mixer without shower set.  
 Mitigeur bain douche sans garniture.  
 Смеситель для ванны без душевого гарнитура.  
 Finitura / finishing / finition / Покрытие  
 CR



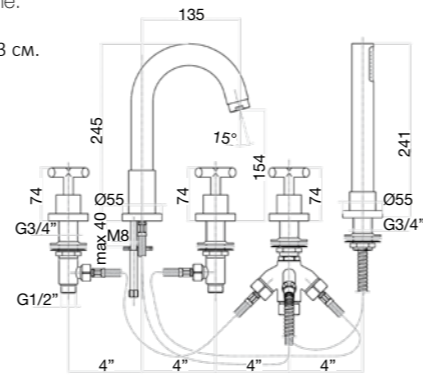
Vitone ceramico, 1/4 di giro  
 1/4 turn ceramic head work

14,05 kg  
 box pcs. 5

25 CR 0505



Batteria bordo vasca 5 fori bocca cm 13, con doccia.  
 5-hole bath mixer, 13 cm spout, with shower.  
 Mélangeur bain douche à 5 trous, bec cm 13, avec douche.  
 Смеситель наобортный для ванны на 5 отверстий, излив 13 см.



Finitura / finishing / finition / Покрытие

CR

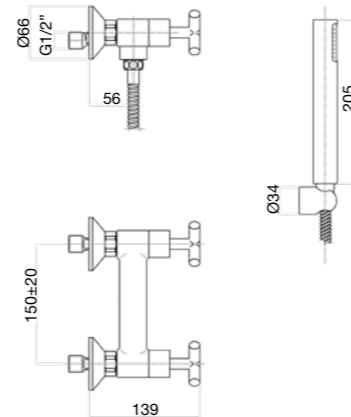
Vitone ceramico, 1/4 di giro  
 1/4 turn ceramic head work

23,85 kg  
 box pcs. 5

25 CR 0512



Gruppo doccia esterno con duplex.  
 External shower mixer with shower set.  
 Mélangeur douche extérieur avec garniture.  
 Смеситель для душа, внешний монтаж с душевым гарнитуром.



Finitura / finishing / finition / Покрытие

CR

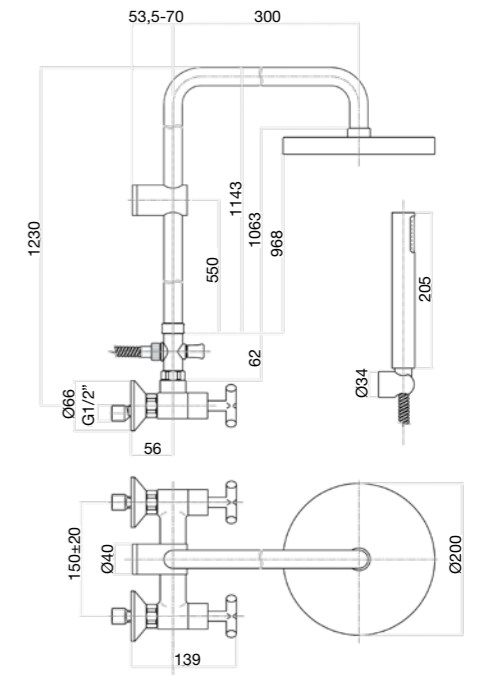
Vitone ceramico, 1/4 di giro  
 1/4 turn ceramic head work

11,55 kg  
 box pcs. 5

25 CR 0517



Gruppo doccia esterno con colonna cm 114 e soffione tondo in ottone Ø 200 mm.  
 External shower mixer with cm 114 rail and Ø 200 mm round brass shower head.  
 Mélangeur douche extérieur avec colonne cm 114 et pomme de douche ronde en laiton Ø 200 mm.  
 Смеситель для душа, внешний монтаж, душевая стойка 114 см, душевая лейка 200 мм.



Finitura / finishing / finition / Покрытие

CR

6 kg  
 box pcs. 1

Vitone ceramico, 1/4 di giro  
 1/4 turn ceramic head work

# Kyro

Contract  
program

Finitura / finishing / finition / Покрытие

CR  
Cromo  
Chrome



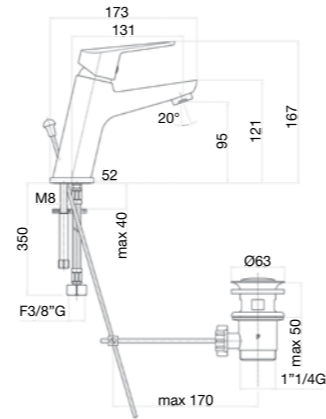
Kyro



86 CR 8110 01



Miscelatore lavabo, scarico automatico 1"1/4, flex cm 35 3/8"F.  
 One hole basin mixer, 1"1/4 pop up waste, flex cm 35 3/8"F.  
 Mitigeur lavabo, vidage automatique 1"1/4, flexibles cm 35 3/8"F.  
 Смеситель для умывальника, донный клапан 1"1/4, гибкая подводка 35 см 3/8" F.



Finitura / finishing / finition / Покрытие

1/2 86 CR 8110 02

20,2 kg  
box pcs. 10

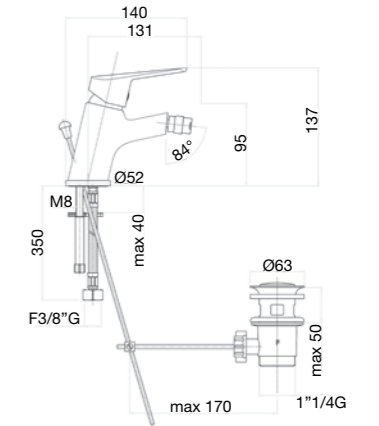
CR

Ø 35 mm c/d  
35 CAIO 20

86 CR 8135 01



Miscelatore bidet, scarico automatico 1"1/4, flex cm 35 3/8"F.  
 One hole bidet mixer, 1"1/4 automatic pop up waste, flex cm 35 3/8"F.  
 Mitigeur bidet, vidage automatique 1"1/4, flexibles cm 35 3/8"F.  
 Смеситель для биде, донный клапан 1"1/4, гибкая подводка 35 см 3/8" F.



Finitura / finishing / finition / Покрытие

1/2 86 CR 8135 02

17,4 kg  
box pcs. 10

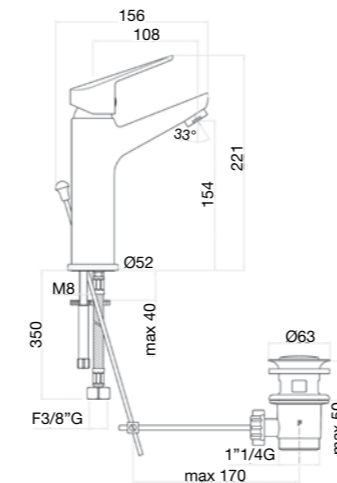
CR

Ø 35 mm c/d  
35 CAIO 20

86 CR 8112 01



Miscelatore lavabo, scarico automatico 1"1/4, flex cm 35 3/8"F.  
 One hole basin mixer, 1"1/4 pop up waste, flex cm 35 3/8"F.  
 Mitigeur lavabo, vidage automatique 1"1/4, flexibles cm 35 3/8"F.  
 Смеситель для умывальника, донный клапан 1"1/4, гибкая подводка 35 см 3/8" F.



Finitura / finishing / finition / Покрытие

1/2 86 CR 8112 02

22 kg  
box pcs. 10

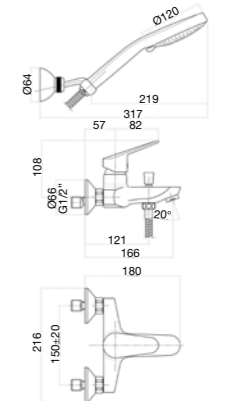
CR

Ø 35 mm c/d  
35 CAIO 20

86 CR 8151



Miscelatore vasca con duplex, doccia idromassaggio Salia.  
 Bath mixer with shower set, Salia massage shower.  
 Mitigeur bain douche avec garniture, douche hydromassage Salia.  
 Смеситель для ванны с душевым гарнитуром.



Finitura / finishing / finition / Покрытие

28,1 kg  
box pcs. 5

CR

Ø 35 mm c/d  
35 CAIO 20

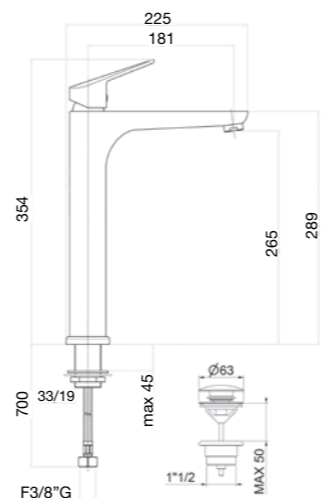
86 CR 8152  
Miscelatore vasca senza duplex.  
Bath mixer without shower set.  
Mitigeur bain douche sans garniture.  
Смеситель для ванны без душевого гарнитура.

Finitura / finishing / finition / Покрытие  
CR

86 CR 8119 01



Miscelatore lavabo alto, bocca lunga, scarico click-clack, flex cm 70 3/8"F.  
 One hole basin mixer, high body, long spout, click-clack waste, flex cm 70 3/8"F.  
 Mitigeur lavabo haut, bec long, vidage clack-clack, flexibles cm 70 3/8"F.  
 СМЕСИТЕЛЬ ДЛЯ УМЫВАЛЬНИКА, ДОННЫЙ КЛАПАН, ГИБКАЯ ПОДВОДКА 70 СМ 3/8" F.



Finitura / finishing / finition / Покрытие

1/2 86 CR 8119 02

13,15 kg  
box pcs. 5

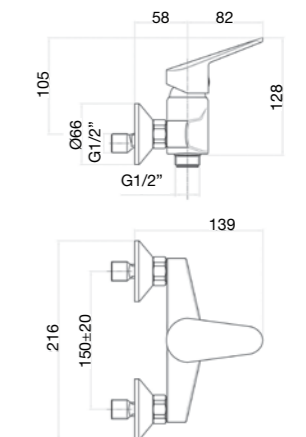
CR

Ø 35 mm c/d  
35 CAIO 20

86 CR 6511



Miscelatore doccia esterno senza duplex.  
 External shower mixer without shower set.  
 Mitigeur douche extérieur sans garniture.  
 Смеситель для душа, внешний монтаж без душевого гарнитура.



Finitura / finishing / finition / Покрытие

12 kg  
box pcs. 5

CR

Ø 35 mm c/d  
35 CAIO 20



86 CR 6515

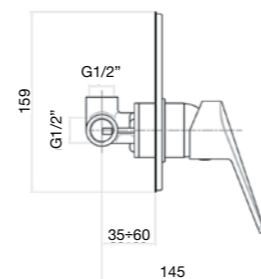
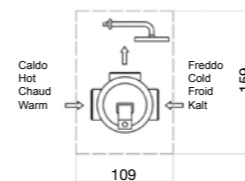


Miscelatore doccia incasso.

Built-in shower mixer.

Mitigeur douche à encastrer.

СМЕСИТЕЛЬ ДЛЯ ДУША, СКРЫТЫЙ МОНТАЖ.



Finitura / finishing / finition / Покрытие

CR

9,3 kg  
box pcs. 10

Ø 42 mm s/d  
35 CA10 31

86 CR 6517

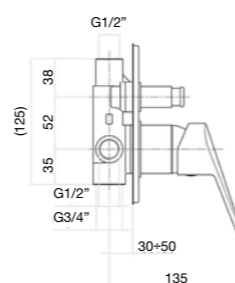
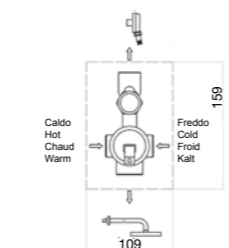


Miscelatore doccia incasso con deviatore, due uscite.

2-way built-in shower mixer with diverter.

Mitigeur douche à encastrer avec inverseur, deux sorties.

Смеситель для ванны, скрытый монтаж.



Finitura / finishing / finition / Покрытие

CR

14,7 kg  
box pcs. 10

Ø 42 mm s/d  
35 CA10 31

30 CR 8790

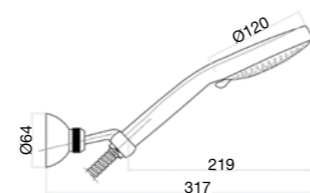


Kit supporto doccetta idromassaggio e flessibile doppia aggraffatura.

Shower set composed of holder, multifunction handshower and double seam flex.

Garniture de douche composée de support mural, douchette multijet et flexible double agrafage.

Набор лейка, шланг подвод воды.



Finitura / finishing / finition / Покрытие

CR

6,5 kg  
box pcs. 10



Kyro

# Kevon

---

## Contract program

Finitura / finishing / finition / Покрытие

CR  
Cromo  
Chrome





81 CR 8120 01

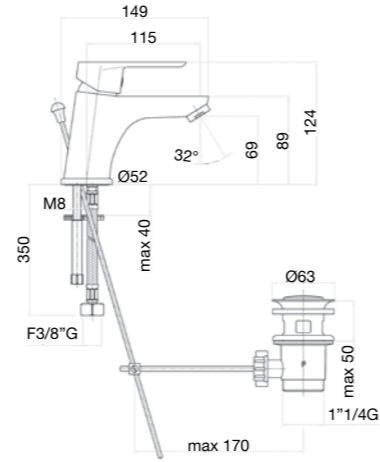


Miscelatore lavabo, scarico automatico 1"1/4, flex cm 35 3/8"F.

One hole basin mixer, 1"1/4 pop up waste, flex cm 35 3/8"F.

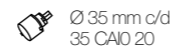
Mitigeur lavabo, vidage automatique 1"1/4, flexibles cm 35 3/8"F.

Смеситель для умывальника, донный клапан 1"1/4, гибкая подводка 35 см 3/8"F.



Finitura / finishing / finition / Покрытие

CR



1/2 81 CR 8120 02

18,5 kg box pcs. 10

81 CR 8130 01

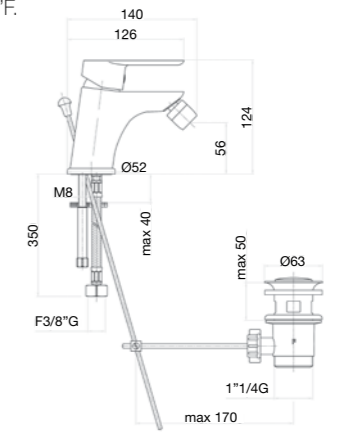


Miscelatore bidet scarico automatico 1"1/4, flex cm 35 3/8"F.

One hole bidet mixer, 1"1/4 automatic pop up waste, flex cm 35 3/8"F.

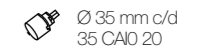
Mitigeur bidet, vidage automatique 1"1/4, flexibles cm 35 3/8"F.

Смеситель для биде, донный клапан 1"1/4, гибкая подводка 35 см 3/8"F.



Finitura / finishing / finition / Покрытие

CR



1/2 81 CR 8130 02

17,2 kg box pcs. 10

81 CR 8123 01

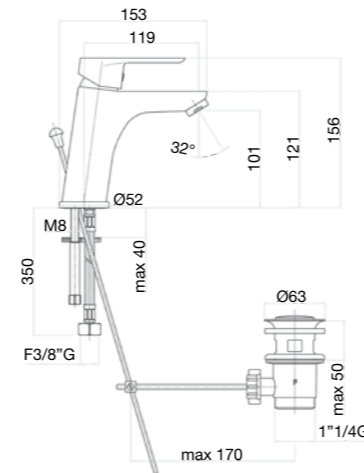


Miscelatore lavabo, scarico automatico 1"1/4, flex cm 35 3/8"F.

One hole basin mixer, 1"1/4 pop up waste, flex cm 35 3/8"F.

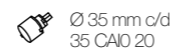
Mitigeur lavabo, vidage automatique 1"1/4, flexibles cm 35 3/8"F.

Смеситель для умывальника, донный клапан 1"1/4, гибкая подводка 35 см 3/8"F.



Finitura / finishing / finition / Покрытие

CR



1/2 81 CR 8123 02

20,1 kg box pcs. 10

81 CR 8150

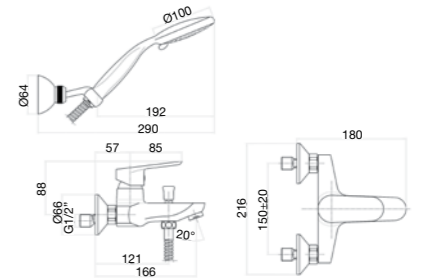


Miscelatore vasca con duplex, doccia idromassaggio Siro.

Bath mixer with shower set, Siro massage shower.

Mitigeur bain douche avec garniture, douche hydromassage Siro.

Смеситель для ванны с душевым гарнитуром.



Finitura / finishing / finition / Покрытие

CR



81 CR 8152 Miscelatore vasca senza duplex. Bath mixer without shower set. Mitigeur bain douche sans garniture. Смеситель для ванны без душевого гарнитура.

Finitura / finishing / finition / Покрытие

CR

27,9 kg box pcs. 10

81 CR 8119 01

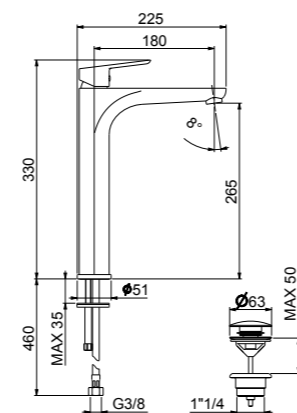


Miscelatore lavabo alto, bocca lunga, scarico click-clack, flex cm 70 3/8"F.

One hole basin mixer, high body, long spout, click-clack waste, flex cm 70 3/8"F.

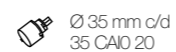
Mitigeur lavabo haut, bec long, vidage automatique 1"1/4, flexibles cm 70 3/8"F.

Смеситель для умывальника, донный клапан 1"1/4, гибкая подводка 70 см 3/8"F.



Finitura / finishing / finition / Покрытие

CR



1/2 81 CR 8119 02

14,65 kg box pcs. 5

81 CR 1500

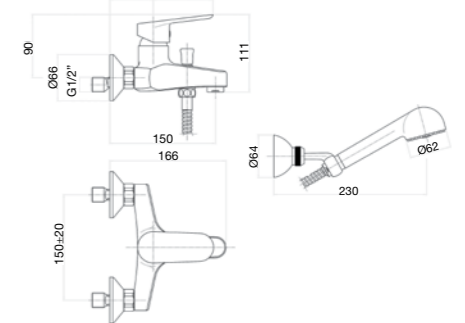


Miscelatore vasca con duplex, doccia Beta.

Bath mixer with shower set, Beta shower.

Mitigeur bain douche avec garniture, douche Beta.

Смеситель для ванны с душевым гарнитуром.



Finitura / finishing / finition / Покрытие

CR



81 CR 1510 Miscelatore vasca senza duplex. Bath mixer without shower set. Mitigeur bain douche sans garniture. Смеситель для ванны без душевого гарнитура.

Finitura / finishing / finition / Покрытие

CR

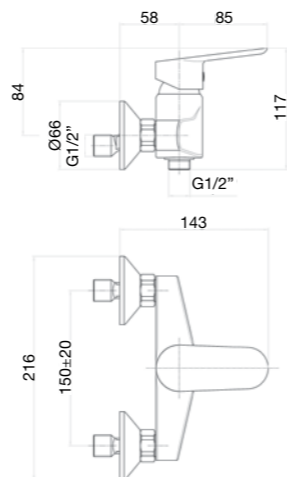
22,1 kg box pcs. 10

Ø 35 mm c/d 35 CAIO 20

81 CR 6511



Miscelatore doccia esterno senza duplex.  
External shower mixer without shower set.  
Mitigeur douche extérieur sans garniture.  
Смеситель для душа, внешний монтаж без душевого гарнитура.



Finitura / finishing / finition / Покрытие  
CR

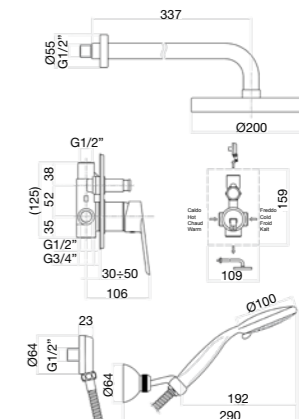
12,8 kg  
box pcs. 10

Ø 35 mm c/d  
35 CA10 20

81 CR 6519



Miscelatore doccia incasso con deviatore, braccio doccia e soffione tondo in ottone Ø 200 mm, presa d'acqua e duplex, doccia idromassaggio Siro.  
Built-in shower mixer with diverter, shower arm and Ø 200 mm round brass shower head, intake of water, shower set, Siro massage shower.  
Mitigeur douche à encastrer avec inverseur, bras, pomme douche ronde en laiton Ø 200 mm, prise d'eau, garniture, douche hydromassage Siro.  
Смеситель для душа, скрытый монтаж, верхний/ручной душ, шланговое подключение с душевым гарнитуром.



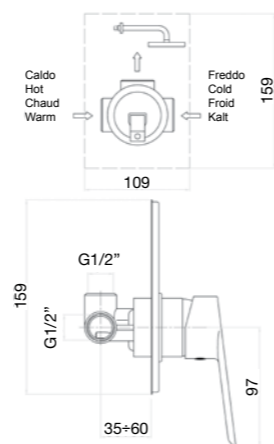
Finitura / finishing / finition / Покрытие  
CR

Ø 42 mm s/d  
35 CA10 31

81 CR 6515



Miscelatore doccia incasso  
Built-in shower mixer  
Mitigeur douche à encastrer  
Смеситель для душа, скрытый монтаж, верхний душ.



Finitura / finishing / finition / Покрытие  
CR

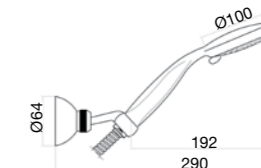
9,8 kg  
box pcs. 10

Ø 42 mm s/d  
35 CA10 31

30 CR 8795



Kit supporto doccetta monogetto e flessibile doppia aggiratura.  
Shower set composed of holder, monospray handshower and double seam flex.  
Garniture de douche composée de support mural, douchette mono-jet et flexible double agrafage.  
Набор лейка, шланг подвод воды.



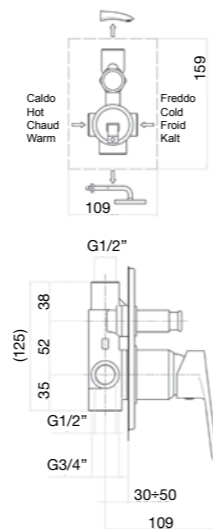
Finitura / finishing / finition / Покрытие  
CR

6,5 kg  
box pcs. 10

81 CR 6517



Miscelatore doccia incasso con deviatore, due uscite.  
2-way built-in shower mixer with diverter.  
Mitigeur douche à encastrer avec inverseur, deux sorties.  
Смеситель для ванны с душевым гарнитуром.



Finitura / finishing / finition / Покрытие  
CR

14,4 kg  
box pcs. 10

Ø 42 mm s/d  
35 CA10 31

# King

Contract  
program

Finitura / finishing / finition / Покрытие

CR  
Cromo  
Chrome



King



39 CR 2210 01

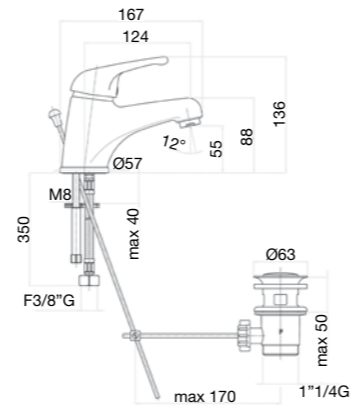


Miscelatore lavabo, scarico automatico 1"1/4, flex cm 35 3/8"F.

One hole basin mixer, 1"1/4 pop up waste, flex cm 35 3/8"F.

Mitigeur lavabo, vidage automatique 1"1/4, flexibles cm 35 3/8"F.

Смеситель для умывальника, донный клапан 1"1/4, гибкая подводка 35 см 3/8"F.



Finitura / finishing / finition / Покрытие

CR

1/2 39 CR 2210 02

19,2 kg  
box pcs. 10

Ø 42 mm c/d  
35 CA10 30

33 CR 2210 01

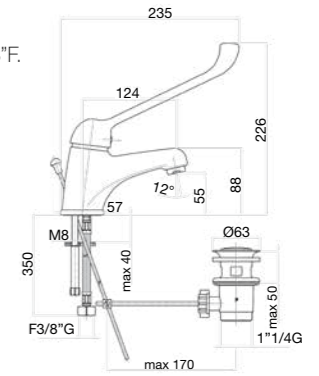


Miscelatore lavabo, scarico aut. 1"1/4, flex cm 35 3/8"F.

One hole basin mixer, 1"1/4 aut pop up waste, flex cm 35 3/8"F.

Mitigeur lavabo, vidage automatique 1"1/4, flexibles cm 35 3/8"F.

Смеситель для умывальника, донный клапан 1"1/4, гибкая подводка 35 см 3/8"F.



Finitura / finishing / finition / Покрытие

CR

1/2 33 CR 2210 02

20 kg  
box pcs. 10

Ø 42 mm c/d  
35 CA10 30

39 CR 2243 01

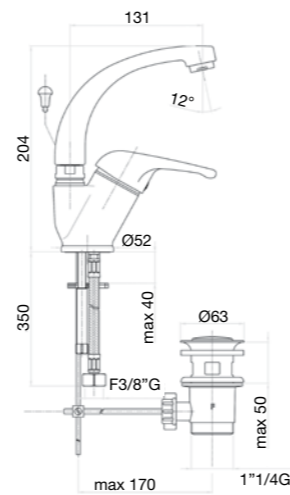


Miscelatore lavabo leva laterale, canna gonfiata cm 13, scarico aut 1"1/4, flex cm 35 3/8"F.

One hole basin mixer, side lever, 13 cm high spout, 1"1/4 automatic pop up waste, flex cm 35 3/8"F.

Mitigeur lavabo, manette latérale, bec gonflé cm 13, vidage aut. 1"1/4, flexibles cm 35 3/8"F.

Смеситель для умывальника, донный клапан 1"1/4, гибкая подводка 35 см 3/8"F.



Finitura / finishing / finition / Покрытие

CR

1/2 39 CR 2243 02

20,5 kg  
box pcs. 10

Ø 42 mm c/d  
35 CA10 30

39 CR 3291 01

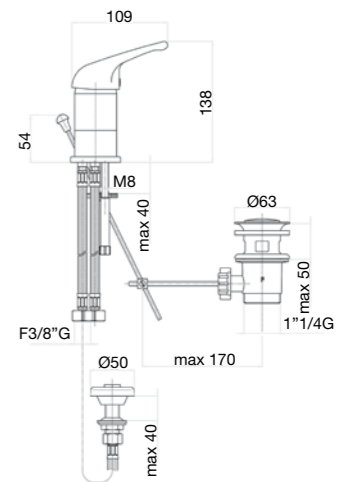


Miscelatore bidet monoforo con doccia spray, scarico automatico 1"1/4, flex cm 35 3/8"F.

One hole bidet mixer with spray, 1" 1/4 automatic pop up waste, flex cm 35 3/8"F.

Mitigeur bidet avec douche spray, vidage automatique 1"1/4, flexibles cm 35 3/8"F.

Смеситель для биде, спрей, донный клапан 1"1/4, гибкая подводка 35 см 3/8"F.



Finitura / finishing / finition / Покрытие

CR

1/2 39 CR 3291 02

19,2 kg  
box pcs. 10

Ø 42 mm s/d  
35 CA10 31

39 CR 2400

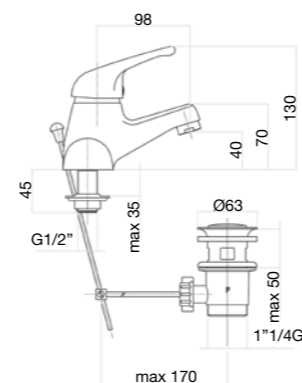


Miscelatore lavabo 4", scarico automatico 1"1/4.

4" centerset basin mixer 1"1/4 automatic pop up waste.

Mitigeur lavabo 4", vidage automatique 1"1/4.

Смеситель для умывальника 4", донный клапан 1"1/4.



Finitura / finishing / finition / Покрытие

CR

19,9 kg  
box pcs. 10

Ø 42 mm c/d  
35 CA10 30

39 CR 3210 01

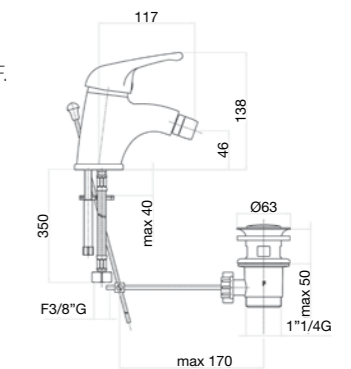


Miscelatore bidet, scarico automatico 1"1/4, flex cm 35 3/8"F.

One hole bidet mixer, 1"1/4 automatic pop up waste, flex cm 35 3/8"F.

Mitigeur bidet, vidage automatique 1"1/4, flexibles cm 35 3/8"F.

Смеситель для биде, донный клапан 1"1/4, гибкая подводка 35 см 3/8"F.



Finitura / finishing / finition / Покрытие

CR

1/2 39 CR 3210 02

18,5 kg  
box pcs. 10

Ø 42 mm c/d  
35 CA10 30



39 CR 1000

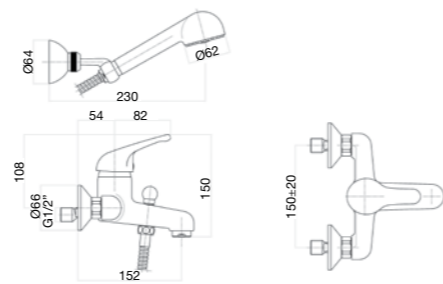


Miscelatore vasca con duplex.

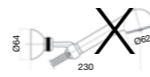
Bath mixer with shower set.

Mitigeur bain douche avec garniture.

Смеситель для ванны, внешний монтаж, с душевым гарнитуром.



39 CR 1010  
Miscelatore vasca senza duplex.  
Bath mixer without shower set.  
Mitigeur bain douche sans garniture.  
Смеситель для ванны без душевого гарнитура.



Finitura / finishing / finition / Покрытие

CR

20,9 kg  
box pcs. 10

Ø 42 mm c/d  
35 CAIO 30

39 CR 1230

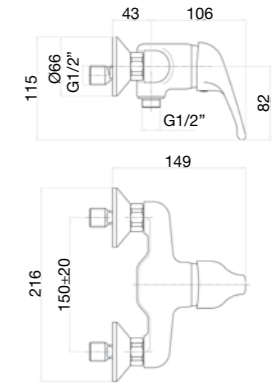


Miscelatore doccia esterno frontale 1/2", senza duplex.

External shower mixer without shower set, 1/2" connection.

Mitigeur douche extérieure sans garniture, connection 1/2".

Смеситель для душа, внешний монтаж без душевого гарнитура, подсоединение 1/2".



Finitura / finishing / finition / Покрытие

CR

15,1 kg  
box pcs. 10

Ø 42 mm s/d  
35 CAIO 31

39 CR 1090 01

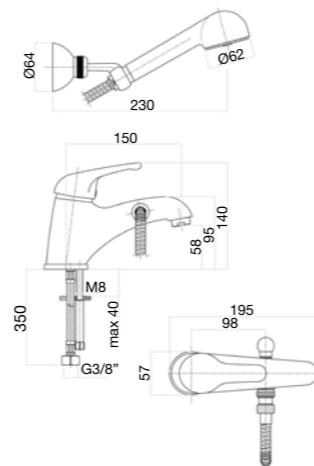


Miscelatore monoforo bordo vasca, flex cm 35 3/8"F, con duplex.

One hole bath mixer, flex cm 35 3/8"F, with shower set.

Mitigeur monotrou bain douche, flexibles cm 35 3/8"F, avec garniture.

Смеситель на борт ванны на 1 отверстие с душевым гарнитуром.



Finitura / finishing / finition / Покрытие

CR

39 CR 1090 02

20,7 kg  
box pcs. 10

Ø 42 mm c/d  
35 CAIO 30

39 CR 1300

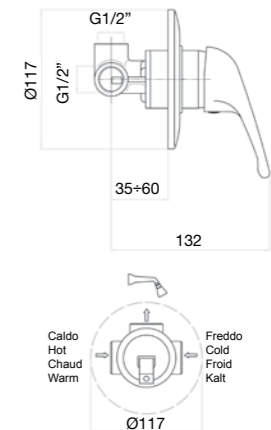


Miscelatore doccia incasso.

Built-in shower mixer.

Mitigeur douche à encastrer.

Смеситель для душа, скрытый монтаж.



Finitura / finishing / finition / Покрытие

CR

8,6 kg  
box pcs. 10

Ø 42 mm s/d  
35 CAIO 31

39 CR 1200

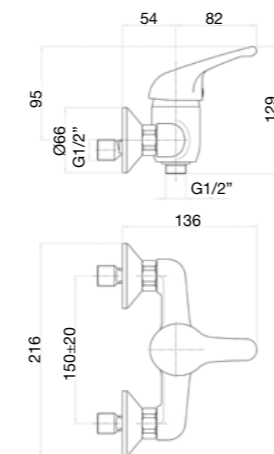


Miscelatore doccia esterno senza duplex, attacco 1/2".

External shower mixer without shower set, 1/2" connection.

Mitigeur douche extérieur sans garniture, connection 1/2".

Смеситель для душа, внешний монтаж без душевого гарнитура, подсоединение 1/2".



Finitura / finishing / finition / Покрытие

CR

14,5 kg  
box pcs. 10

Ø 42 mm s/d  
35 CAIO 31

39 CR 1331

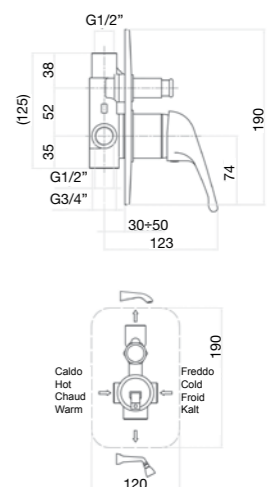


Miscelatore doccia incasso con deviatore, due uscite.

2-way built-in shower mixer with diverter.

Mitigeur douche à encastrer avec inverseur, deux sorties.

Смеситель для душа, скрытый монтаж.



Finitura / finishing / finition / Покрытие

CR

15,3 kg  
box pcs. 10

Ø 42 mm s/d  
35 CAIO 31

# Altura

---

## Contract program

Finitura / finishing / finition / Покрытие

CR  
Cromo  
Chrome



41 CR 2710 01

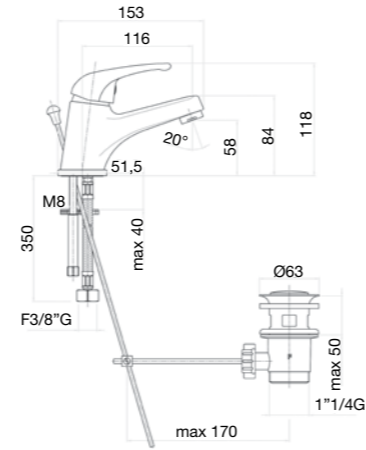


Miscelatore lavabo, scarico aut. 1"1/4, flex cm 35 3/8"F.

One hole basin mixer with 1"1/4 automatic pop up waste, flex cm 35 3/8"F.

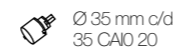
Mitigeur lavabo, vidage automatique 1"1/4, flexibles cm 35 3/8"F.

Смеситель для умывальника, донный клапан 1"1/4, гибкая подводка 35 см 3/8"F.



Finitura / finishing / finition / Покрытие

CR



1/2 41 CR 2710 02

16,4 kg box pcs. 10

41 CR 4633 01

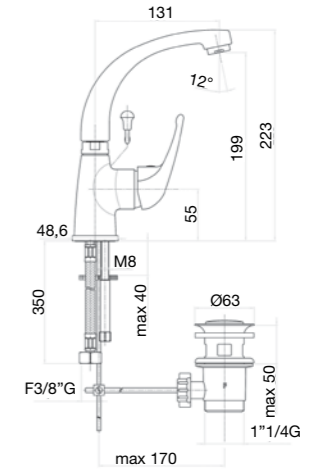


Miscelatore lavabo, leva laterale, canna gonfiata cm 13, scarico aut. 1"1/4, flex cm 35 3/8"F.

One hole basin mixer, 13 cm cast spout, 1"1/4 aut. pop up waste, flex cm 35 3/8"F.

Mitigeur lavabo, bec fondu cm 13, vidage aut. 1"1/4, flexibles cm 35 3/8"F.

Смеситель для умывальника, высокий излив, донный клапан 1"1/4, гибкая подводка 35 см 3/8"F.

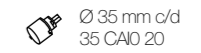


Finitura / finishing / finition / Покрытие

CR

1/2 41 CR 4633 02

17,7 kg box pcs. 10



41 CR 2709

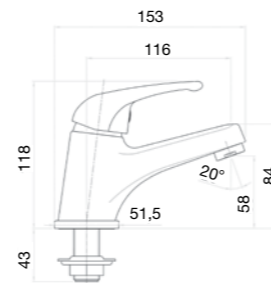


Rubinetto lavabo monotubo, senza scarico.

One hole basin tap, one water inlet, without pop up waste.

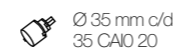
Robinet lavabo, une seule entrée d'eau, sans vidage.

Смеситель для умывальника.



Finitura / finishing / finition / Покрытие

CR



22,9 kg box pcs. 20

41 CR 3710 01

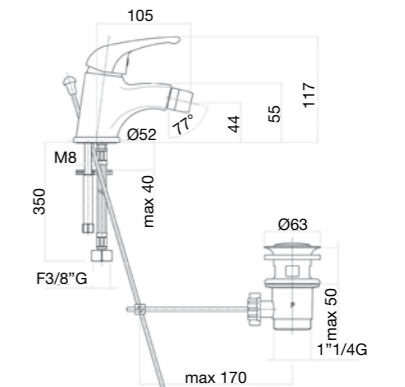


Miscelatore bidet, scarico aut. 1"1/4, flex cm 35 3/8"F.

One hole bidet mixer, 1"1/4 aut. pop up waste, flex cm 35 3/8"F.

Mitigeur bidet, vidage aut. 1"1/4, flexibles cm 35 3/8"F.

Смеситель для биде, донный клапан 1"1/4, гибкая подводка 35 см 3/8"F.

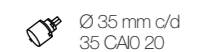


Finitura / finishing / finition / Покрытие

CR

1/2 41 CR 3710 02

14,9 kg box pcs. 10



33 CR 2710 01

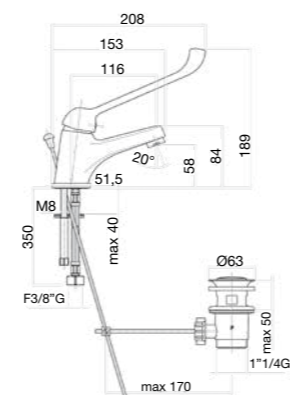


Miscelatore lavabo, scarico aut. 1"1/4, flex cm 35 3/8"F.

One hole basin mixer, 1"1/4 automatic pop up waste, flex cm 35 3/8"F.

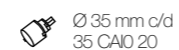
Mitigeur lavabo, vidage automatique 1"1/4, flexibles cm 35 3/8"F.

Смеситель для умывальника, донный клапан 1"1/4, гибкая подводка 35 см 3/8"F.



Finitura / finishing / finition / Покрытие

CR



1/2 33 CR 2710 02

16,5 kg box pcs. 10

41 CR 1500

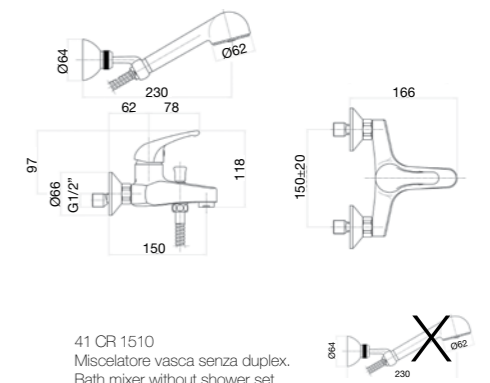


Miscelatore vasca con duplex.

Bath mixer with shower set.

Mitigeur bain douche avec garniture.

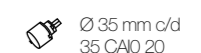
Смеситель для ванны, внешний монтаж, с душевым гарнитуром.



Finitura / finishing / finition / Покрытие

CR

21,6 kg box pcs. 10



41 CR 1510  
Miscelatore vasca senza duplex.  
Bath mixer without shower set.  
Mitigeur bain douche sans garniture.  
Смеситель для ванны без душевого гарнитура.

Finitura / finishing / finition / Покрытие  
CR

41 CR 1501

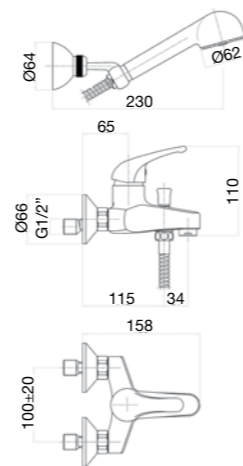


Miscelatore vasca con duplex, interasse mm 100.

Bath mixer mm 100 with shower set.

Mitigeur bain douche avec garniture, entraxe mm 100.

Смеситель для ванны, внешний монтаж, 100 мм с душевым гарнитуром.



Finitura / finishing / finition / Покрытие

CR

23,8 kg  
box pcs. 10

Ø 35 mm c/d  
35 CA10 20

39 CR 1300

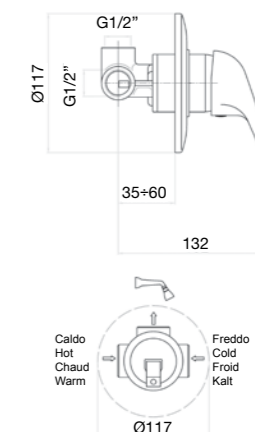


Miscelatore doccia incasso.

Built-in shower mixer.

Mitigeur douche à encastrer.

Смеситель для душа, скрытый монтаж.



Finitura / finishing / finition / Покрытие

CR

8,6 kg  
box pcs. 10

Ø 42 mm s/d  
35 CA10 31

41 CR 1700

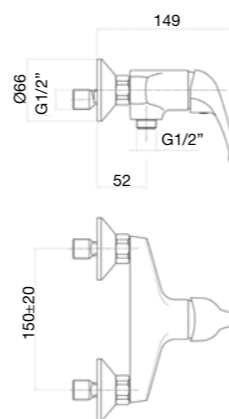


Miscelatore doccia esterno frontale senza duplex, attacco 1/2".

External shower mixer without shower set, 1/2" connection.

Mitigeur douche extérieur sans garniture, connection 1/2".

Смеситель для душа, внешний монтаж, подключение 1/2", без душевого гарнитура.



Finitura / finishing / finition / Покрытие

CR

14,4 kg  
box pcs. 10

Ø 35 mm s/d  
35 CA10 21

39 CR 1331

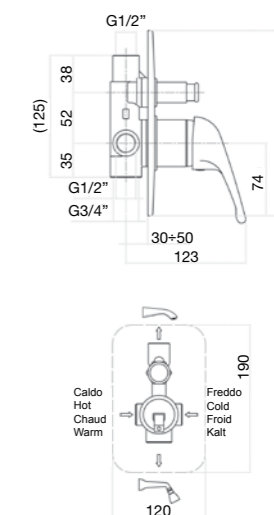


Miscelatore doccia incasso con deviatore, due uscite.

2-way built-in shower mixer with diverter.

Mitigeur douche à encastrer avec inverseur, deux sorties.

Смеситель для душа, скрытый монтаж.



Finitura / finishing / finition / Покрытие

CR

15,3 kg  
box pcs. 10

Ø 42 mm s/d  
35 CA10 31

41 CR 1720

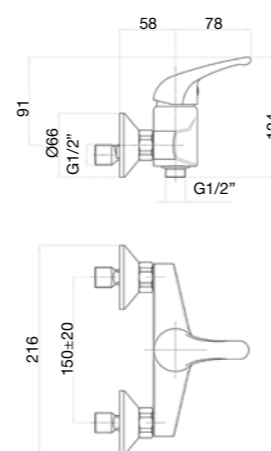


Miscelatore doccia esterno senza duplex, attacco 1/2".

External shower mixer without shower set, 1/2" connection.

Mitigeur douche extérieur sans garniture, connection 1/2".

Смеситель для душа, внешний монтаж, подключение 1/2", без душевого гарнитура.



Finitura / finishing / finition / Покрытие

CR

12,7 kg  
box pcs. 10

Ø 35 mm s/d  
35 CA10 21

30 CR 8792

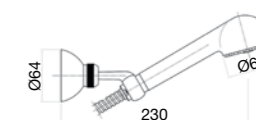


Kit supporto doccetta monogetto e flessibile doppia aggiratura.

Shower set composed of holder, monospray handshower and double seam flex.

Garniture de douche composée de support mural, douchette mono-jet et flexible double agrafage.

Набор лейка ,шланг подвод воды.



Finitura / finishing / finition / Покрытие

CR

6 kg  
box pcs. 10

# Astro

—

## Contract program

Finitura / finishing / finition / Покрытие

CR  
Cromo  
Chrome



14 CR 0369 01

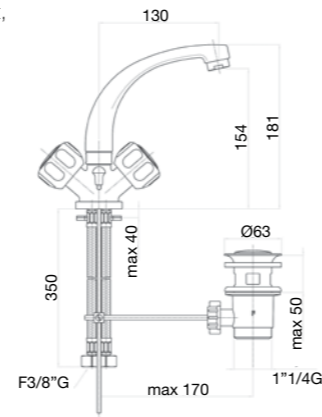


Monoforo lavabo, scarico aut. 1"1/4, canna fusa cm 13 flex cm 35 3/8" F.

One hole basin mixer, 1"1/4 automatic pop up waste, 13 cm cast spout, flex cm 35 3/8" F.

Mélangeur monotrou, vidage aut. 1"1/4, bec fondu cm 13, flexibles cm 35 3/8" F.

Смеситель для умывальника, донный клапан 1"1/4, гибкая подводка 35 см 3/8" F.



Finitura / finishing / finition / Покрытие

CR

1/2 14 CR 0369 02

18 kg box pcs. 10

Vitone 1/2 1/2 head work

14 CR 0116

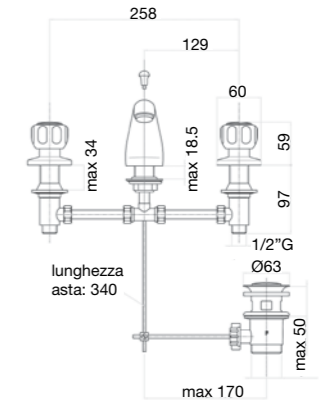


Batteria lavabo 3 fori, scarico aut. 1"1/4.

3-hole basin set, 1"1/4 aut. pop up waste.

Mélangeur lavabo à 3 trous, vidage automatique 1" 1/4.

Смеситель для умывальника на 3 отверстия, донный клапан 1"1/4.



Finitura / finishing / finition / Покрытие

CR

21,6 kg box pcs. 10

Vitone 1/2 1/2 head work

14 CR 0623 01

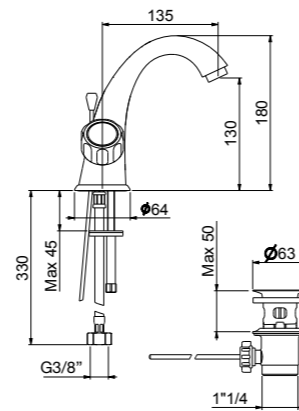


Monoforo lavabo collo alto, scarico automatico 1"1/4, flex cm 35 3/8" F.

High basin mixer, 1"1/4 automatic pop up waste, flex cm 35 3/8" F.

Mélangeur monotrou lavabo, bec haut, vidage automatique 1"1/4, flexibles cm 35 3/8" F.

Смеситель высокий для умывальника на 1 отверстие, авт. донный клапан 1"1/4, гибкая подводка 35 см 3/8" F.



Finitura / finishing / finition / Покрытие

CR

1/2 14 CR 0623 02

13,35 kg box pcs. 5

Vitone 1/2 1/2 head work

14 CR 0113

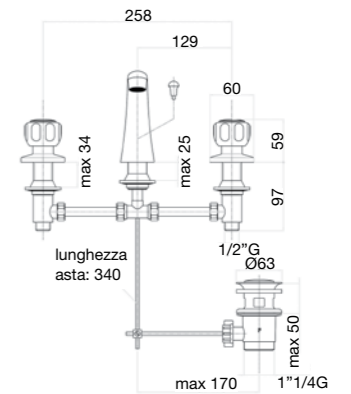


Batteria lavabo 3 fori, scarico aut. 1"1/4, bocca alta.

3-hole basin set, 1"1/4 automatic pop up waste, high spout.

Mélangeur lavabo à 3 trous, vidage aut. 1"1/4, bec haut.

Смеситель для умывальника на 3 отверстия, высокий излив, донный клапан 1"1/4.



Finitura / finishing / finition / Покрытие

CR

22,1 kg box pcs. 10

Vitone 1/2 1/2 head work

14 CR 0367 01

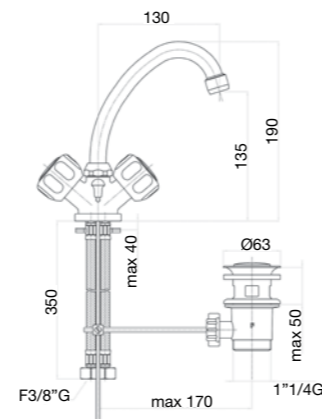


Monoforo lavabo, scarico aut. 1"1/4, canna J cm 13, flex cm 35 3/8" F.

One hole basin mixer, 1"1/4 automatic pop up waste, 13 cm J-spout, flex cm 35 3/8" F.

Mélangeur monotrou lavabo, vidage aut. 1"1/4, bec J cm 13, flexibles cm 35 3/8" F.

Смеситель для умывальника, донный клапан 1"1/4, гибкая подводка 35 см 3/8" F.



Finitura / finishing / finition / Покрытие

CR

1/2 14 CR 0367 02

14,6 kg box pcs. 10

Vitone 1/2 1/2 head work

14 CR 0127

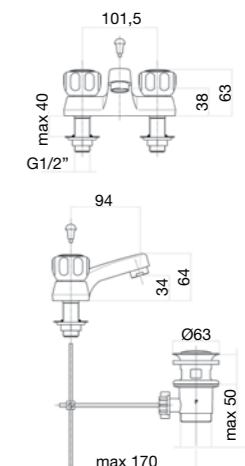


Batteria lavabo 4", scarico aut. 1"1/4

4" basin mixer, 1"1/4 automatic pop up waste

Mélangeur lavabo 4", vidage automatique 1"1/4

Смеситель для умывальника 4", донный клапан 1"1/4.



Finitura / finishing / finition / Покрытие

CR

16,4 kg box pcs. 10

Vitone 1/2 1/2 head work

14 CR 0122 01

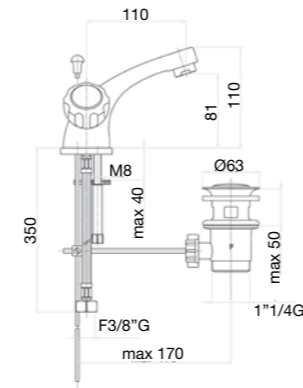


Monoblocco lavabo, scarico aut. 1"1/4, flex cm 35 3/8"F.

One hole basin mixer, 1"1/4 automatic pop up waste, flex cm 35 3/8"F.

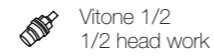
Mélangeur monotrou lavabo, vidage automatique 1"1/4, flexibles cm 35 3/8"F.

Смеситель для умывальника, донный клапан 1"1/4, гибкая подводка 35 см 3/8"F.



Finitura / finishing / finition / Покрытие

CR



1/2 14 CR 0322 02

17,6 kg box pcs. 10

14 CR 0060

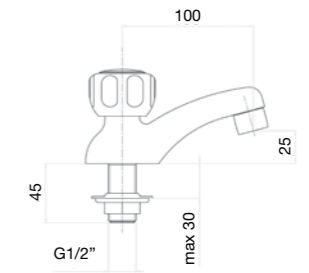


Rubinetto collo cigno 1/2".

1/2" pillar tap.

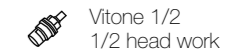
Robinet simple de lavabo 1/2".

Кран для умывальника, подсоединение 1/2".



Finitura / finishing / finition / Покрытие

CR



11,3 kg box pcs. 20

14 CR 0243

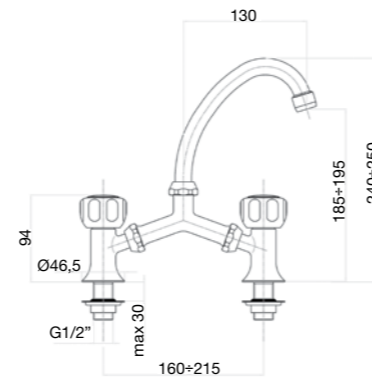


Gruppo lavabo a ponte in ottone, canna J cm 13.

2-hole brass basin mixer, bridge model, 13 cm J-spout.

Mélangeur lavabo à pont en laiton, bec J cm 13.

Смеситель для умывальника.



Finitura / finishing / finition / Покрытие

CR



27,1 kg box pcs. 20

14 CR 0150 01

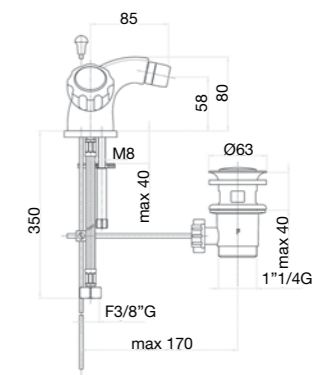


Monoblocco bidet, scarico aut. 1"1/4, flex cm 35.

One hole bidet mixer, 1" 1/4 aut. pop up waste, flex cm 35.

Mélangeur monotrou bidet, vidage aut. 1"1/4, flexibles cm 35.

Смеситель для биде, донный клапан 1"1/4, гибкая подводка 35 см.



Finitura / finishing / finition / Покрытие

CR



1/2 14 CR 0150 02

16,9 kg box pcs. 10

14 CR 0156

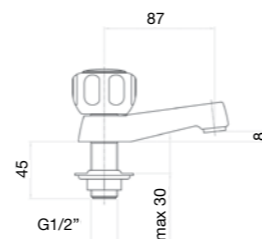


Rubinetto collo cigno 1/2".

1/2" pillar tap.

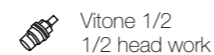
Robinet simple de lavabo 1/2".

Кран для умывальника, подсоединение 1/2".



Finitura / finishing / finition / Покрытие

CR



25,1 kg box pcs. 30

14 CR 0136

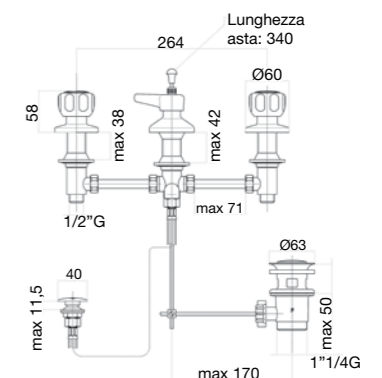


Batteria bidet 3 fori con doccetta spray, scarico aut. 1"1/4.

3-hole bidet set with spray, 1"1/4 automatic pop up waste.

Mélangeur bidet à 3 trous avec douchette, vidage automatique 1"1/4.

Смеситель для биде на 3 отверстия, спрей, донный клапан 1"1/4.



Finitura / finishing / finition / Покрытие

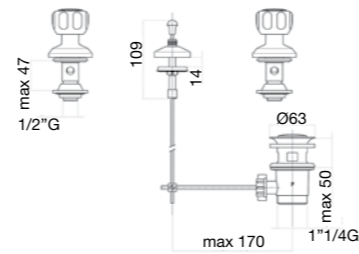
CR



31,5 kg box pcs. 10

14 CR 0144

Combinazione bidet, scarico aut. 1"1/4.  
 3-hole bidet set, 1"1/4 automatic pop up waste.  
 Mélangeur bidet à 3 trous, vidage automatique 1"1/4.  
 Смеситель для биде на 3 отверстия, донный клапан 1"1/4.



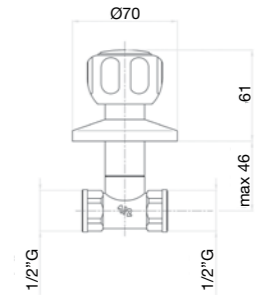
Finitura / finishing / finition / Покрытие  
 CR

15,6 kg  
 box pcs. 10

Vitone 1/2  
 1/2 head work

14 CR 0170

Rubinetto arresto incasso 1/2" con rosone scorrevole.  
 Straight built-in 1/2" stop cock with sliding faceplate.  
 Robinet à encastrer 1/2" avec rosace roulante.  
 Кран запорный 1/2", скрытый монтаж.



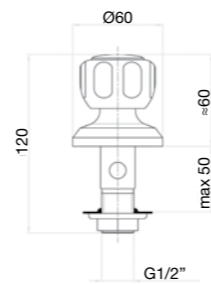
Finitura / finishing / finition / Покрытие  
 CR

11,5 kg  
 box pcs. 20

Vitone 1/2  
 1/2 head work

14 CR 0160

Rubinetto bidet 1/2".  
 Bidet tap 1/2".  
 Robinet bidet 1/2".  
 Кран для биде, подсоединение 1/2".



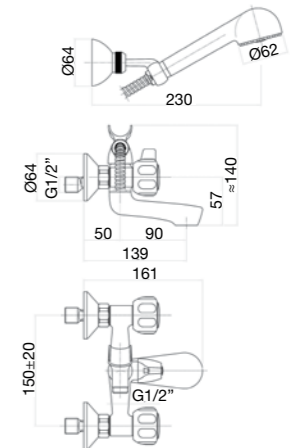
Finitura / finishing / finition / Покрытие  
 CR

27,1 kg  
 box pcs. 20

Vitone 1/2  
 1/2 head work

14 CR F107

Gruppo vasca con deviatore dx/sin, monoforcella e duplex.  
 Bath mixer with right/left diverter, single fork and shower set.  
 Mélangeur bain douche avec inverseur droit/gauche, support simple et garniture.  
 Смеситель для ванны, внешний монтаж, душевой набор.



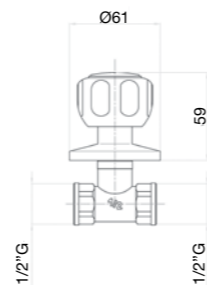
Finitura / finishing / finition / Покрытие  
 CR

22 kg  
 box pcs. 10

Vitone 1/2  
 1/2 head work

14 CR 0164

Rubinetto arresto incasso 1/2".  
 Straight built-in 1/2" stop cock.  
 Robinet à encastrer 1/2".  
 Кран запорный 1/2", скрытый монтаж.



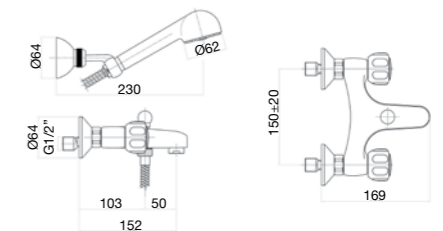
Finitura / finishing / finition / Покрытие  
 CR

15,25 kg  
 box pcs. 30

Vitone 1/2  
 1/2 head work

14 CR 0201

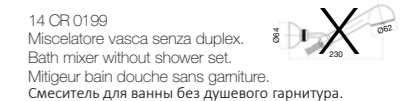
Gruppo vasca con duplex.  
 Bath mixer with shower set.  
 Mélangeur bain douche avec garniture.  
 Смеситель для ванны, внешний монтаж, с душевым гарнитуром.



Finitura / finishing / finition / Покрытие  
 CR

21,6 kg  
 box pcs. 10

Vitone 1/2  
 1/2 head work



14 CR 0199  
 Miscelatore vasca senza duplex.  
 Bath mixer without shower set.  
 Mitigeur bain douche sans garniture.  
 Смеситель для ванны без душевого гарнитура.

Finitura / finishing / finition / Покрытие  
 CR



14 CR F203

Gruppo vasca con deviatore dx/sin, monoforcella, flex cm 150, canna S.

Bath mixer with right/left diverter, single fork, flex cm 150, S-spout.

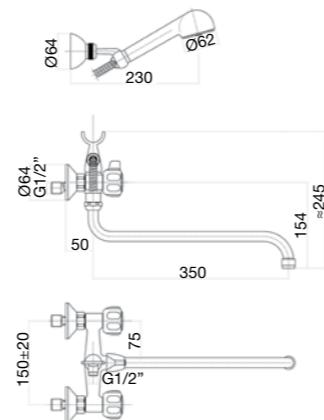
Mélangeur bain douche avec inverseur droit/gauche, support simple, flex cm 150 et bec S.

Смеситель для ванны универсальный, внешний монтаж, душевой набор.



Finitura / finishing / finition / Покрытие

CR



Vitone 1/2  
1/2 head work

18,7 kg  
box pcs. 10

14 CR 0123

Monoblocco vasca con deviatore, duplex e flex cm 35.

One hole bath mixer with diverter, shower set and flex cm 35.

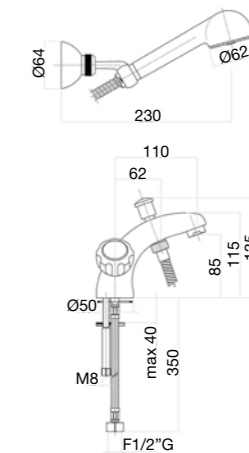
Mélangeur monotrou bain douche avec inverseur, garniture et flexibles cm 35.

Смеситель для ванны на 1 отверстие, с душевым гарнитуром, гибкая подводка 35 см.



Finitura / finishing / finition / Покрытие

CR



Vitone 1/2  
1/2 head work

22 kg  
box pcs. 10

14 CR G200

Gruppo vasca con doccia a colonna con soffione.

Bath mixer with rail and shower head.

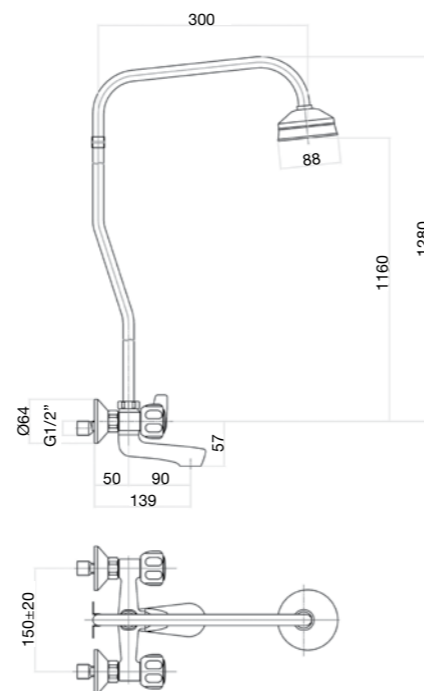
Mélangeur bain douche avec colonne et pomme de douche.

Смеситель для ванны, внешний монтаж, верхний душ.



Finitura / finishing / finition / Покрытие

CR



Vitone 1/2  
1/2 head work

17,5 kg  
box pcs. 10

14 CR 0215

Gruppo doccia senza duplex.

Shower mixer without shower set.

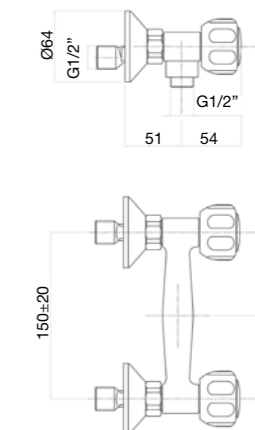
Mélangeur douche sans garniture.

Смеситель для душа, внешний монтаж без душевого гарнитура.



Finitura / finishing / finition / Покрытие

CR



Vitone 1/2  
1/2 head work

20,5 kg  
box pcs. 20

30 CR 8792

Kit supporto doccia monogetto e flessibile doppia aggiratura.

Shower set composed of holder, monospray handshower and double seam flex.

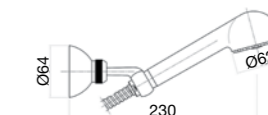
Garniture de douche composée de support mural, douchette mono-jet et flexible double agrafage.

Набор лейка, шланг подвод воды.



Finitura / finishing / finition / Покрытие

CR



6 kg  
box pcs 10

33 CR 0816

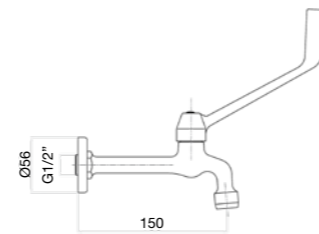


Rubinetto prolungato, leva clinica.

Long tap with clinical lever.

Robinet prolongé, manette clinique.

Кран для умывальника.



Finitura / finishing / finition / Покрытие

CR

10,9 kg  
box pcs. 20

Vitone 1/2  
1/2 head work

33 CR 0802

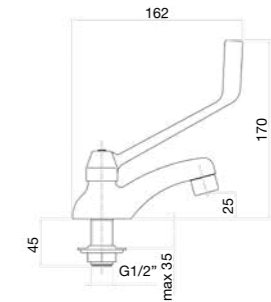


Rubinetto collo cigno, leva clinica.

Pillar tap with clinical lever.

Robinet simple de lavabo, manette clinique.

Кран для умывальника.



Finitura / finishing / finition / Покрытие

CR

15,3 kg  
box pcs. 20

Vitone 1/2  
1/2 head work

33 CR 0804

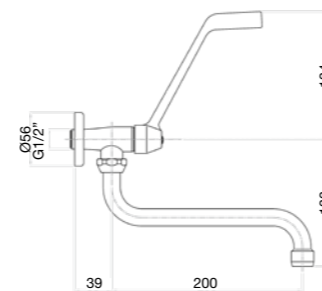


Rubinetto rovesciato, leva clinica.

Tap with clinical lever.

Robinet de service, manette clinique.

Кран для умывальника, настенный монтаж.



Finitura / finishing / finition / Покрытие

CR

25,7 kg  
box pcs. 20

Vitone 1/2  
1/2 head work

33 CR 0806

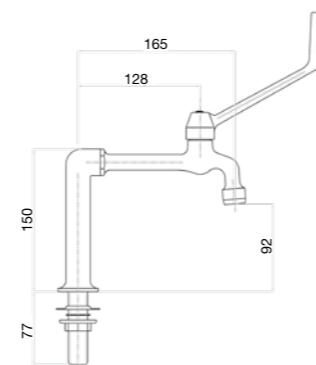


Rubinetto prolungato a colonna con leva clinica.

Long pillar tap with clinical lever.

Robinet avec colonne, manette clinique.

Кран для умывальника.



Finitura / finishing / finition / Покрытие

CR

18,9 kg  
box pcs. 20

Vitone 1/2  
1/2 head work

# Kitchen

---





71 CR 7742 01



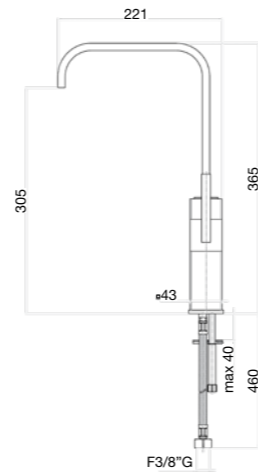
Miscelatore lavello, flex cm 46 3/8" F.  
 One hole sink mixer, flex cm 46 3/8" F.  
 Mitigeur évier, flexibles cm 46 3/8" F.  
 Смеситель для мойки, гибкая подводка 46 см 3/8" F.

1/2 71 CR 7742 02

15,4 Kg  
 box pcs. 5

Finitura / finishing / finition / Покрытие

CR



Ø 35 mm s/d 90°  
 35 CA10 37

XS

44 CR 5480 01



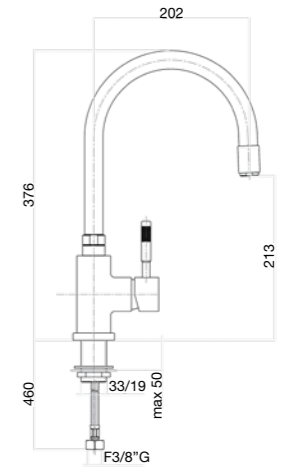
Miscelatore lavello canna a ombrello, flex cm 46 3/8" F.  
 One hole sink mixer, umbrella spout, flex cm 46 3/8" F.  
 Mitigeur évier avec bec à parapluie, flexibles cm 46 3/8" F.  
 Смеситель для мойки, гибкая подводка 46 см 3/8" F.

1/2 44 CR 5480 02

15,15 Kg  
 box pcs. 5

Finitura / finishing / finition / Покрытие

CR  
 AA



Ø 35 mm s/d 90°  
 35 CA10 37

Xenon

44 CR 5455 01



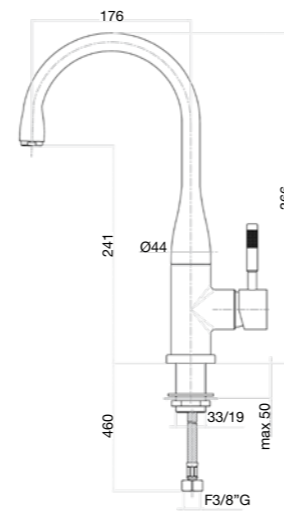
Miscelatore lavello, canna a ombrello, flex cm 46 3/8" F.  
 One hole sink mixer, umbrella spout, flex cm 46 3/8" F.  
 Mitigeur évier, bec à parapluie, flexibles cm 46 3/8" F.  
 Смеситель для мойки, гибкая подводка 46 см 3/8" F.

1/2 44 CR 5455 02

16,1 Kg  
 box pcs. 5

Finitura / finishing / finition / Покрытие

CR



Ø 35 mm s/d 90°  
 35 CA10 37

Xenon

44 CR 5489 01



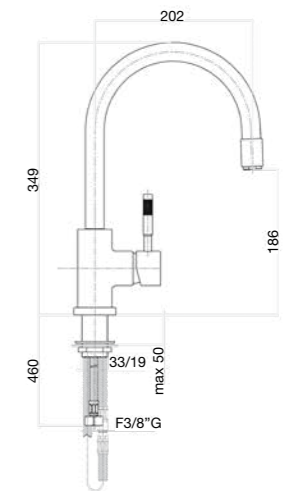
Miscelatore lavello canna a ombrello, doccetta estraibile, flex cm 46 3/8" F.  
 One hole sink mixer, umbrella spout, pull-out shower, flex cm 46 3/8" F.  
 Mitigeur évier bec à parapluie, douchette extractible, flexibles cm 46 3/8" F.  
 Смеситель для мойки, выдвижной излив, гибкая подводка 46 см 3/8" F.

1/2 44 CR 5489 02

16,25 Kg  
 box pcs. 5

Finitura / finishing / finition / Покрытие

CR  
 AA



Ø 35 mm s/d 90°  
 35 CA10 37

44 CR 5456 01



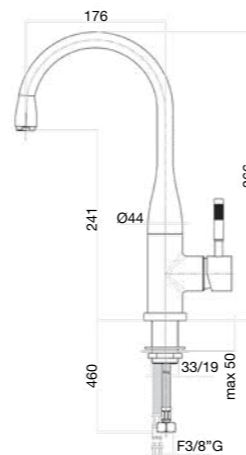
Miscelatore lavello, canna a ombrello, doccetta estraibile, doppio getto, flex cm 46 3/8" F.  
 One hole sink mixer, umbrella spout, pull-out shower, flex cm 46 3/8" F.  
 Mitigeur évier, bec à parapluie, douchette extractible, flexibles cm 46 3/8" F.  
 Смеситель для мойки, выдвижной излив, гибкая подводка 46 см 3/8" F.

1/2 44 CR 5456 02

13,25 Kg  
 box pcs. 5

Finitura / finishing / finition / Покрытие

CR



Ø 35 mm s/d 90°  
 35 CA10 37

44 CR 5467 01



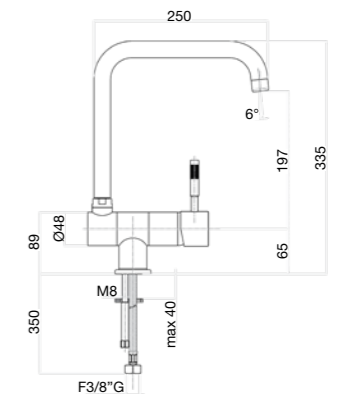
Miscelatore lavello corpo orizzontale, canna a L reclinabile, flex cm 35 3/8" F.  
 Horizontal sink mixer, reclining L-spout, flex cm 35 3/8" F.  
 Mitigeur évier horizontal, bec L basculant, flexibles cm 35 3/8" F.  
 Однорычажный смеситель с поворотным L-изливом для мойки, гибкая подводка см 35 3/8" F.

1/2 44 CR 5467 02

13,55 Kg  
 box pcs. 5

Finitura / finishing / finition / Покрытие

CR  
 AA



Ø 42 mm s/d  
 35 CA10 31

44 CR 5441 01

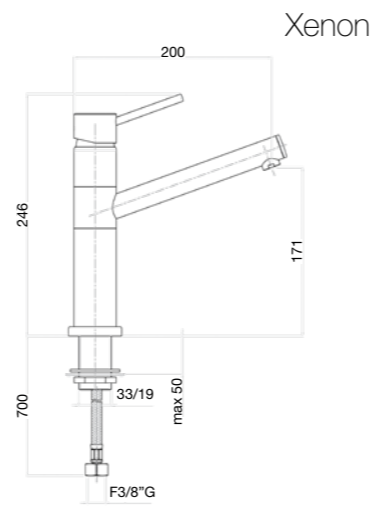


Miscelatore lavello con prolunga 10 cm, flex cm 70 3/8" F.  
One hole sink mixer, 10 cm extension, flex cm 70 3/8" F.  
Mitigeur évier avec rallonge cm 10, flexibles cm 70 3/8" F.  
Смеситель для мойки, гибкая подводка 70 см. высота излива 171 мм 3/8" F.

Finitura / finishing / finition / Покрытие

CR  
AA

1/2 44 CR 5441 02  
12,75 Kg  
box pcs. 5



Ø 35 mm s/d  
35 CA10 21

Xenon

44 CR 5446 01

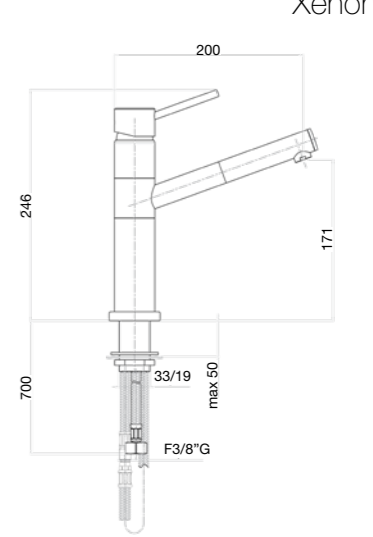


Miscelatore lavello con prolunga cm 10, doccetta estraibile, flex cm 70 3/8" F.  
One hole sink mixer, 10 cm extension, pull-out shower, flex cm 70 3/8" F.  
Mitigeur évier avec rallonge cm 10, douchette extractible, flexibles cm 70 3/8" F.  
Смеситель для мойки, выдвижной излив, гибкая подводка 70 см. высота излива 171 мм 3/8" F.

Finitura / finishing / finition / Покрытие

CR  
AA

1/2 44 CR 5446 02  
13,9 Kg  
box pcs. 5



Ø 35 mm s/d  
35 CA10 21

Xenon

44 CR 5442 01

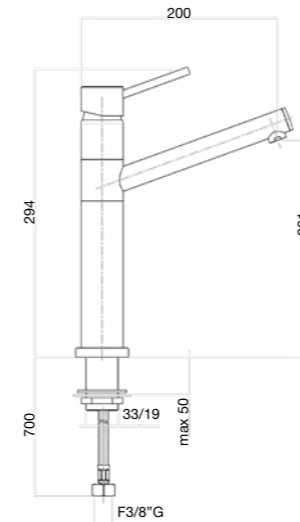


Miscelatore lavello con prolunga cm 15, flex cm 70 3/8" F.  
One hole sink mixer, 15 cm extension, flex cm 70 3/8" F.  
Mitigeur évier avec rallonge cm 15, flexibles cm 70 3/8" F.  
Смеситель для мойки, гибкая подводка 70 см. высота излива 221 мм 3/8" F.

Finitura / finishing / finition / Покрытие

CR  
AA

1/2 44 CR 5442 02  
13,25 Kg  
box pcs. 5



Ø 35 mm s/d  
35 CA10 21

44 CR 5447 01

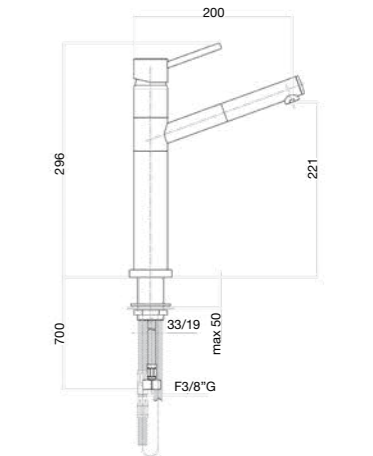


Miscelatore lavello con prolunga cm 15, doccetta estraibile, flex cm 70 3/8" F.  
One hole sink mixer, 15 cm extension, pull-out shower, flex cm 70 3/8" F.  
Mitigeur évier avec rallonge cm 15, douchette extractible, flexibles cm 70 3/8" F.  
Смеситель для мойки, выдвижной излив, гибкая подводка 70 см. высота излива 221 мм 3/8" F.

Finitura / finishing / finition / Покрытие

CR  
AA

1/2 44 CR 5447 02  
14,4 Kg  
box pcs. 5



Ø 35 mm s/d  
35 CA10 21

44 CR 5443 01

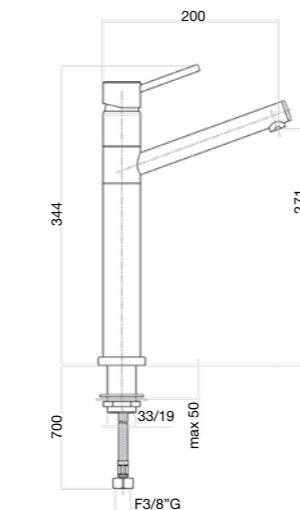


Miscelatore lavello con prolunga cm 20, flex cm 70 3/8" F.  
One hole sink mixer, 20 cm extension, flex cm 70 3/8" F.  
Mitigeur évier avec rallonge cm 20, flexibles cm 70 3/8" F.  
Смеситель для мойки, гибкая подводка 70 см. высота излива 271 мм 3/8" F.

Finitura / finishing / finition / Покрытие

CR  
AA

1/2 44 CR 5443 02  
13,75 Kg  
box pcs. 5



Ø 35 mm s/d  
35 CA10 21

44 CR 5448 01

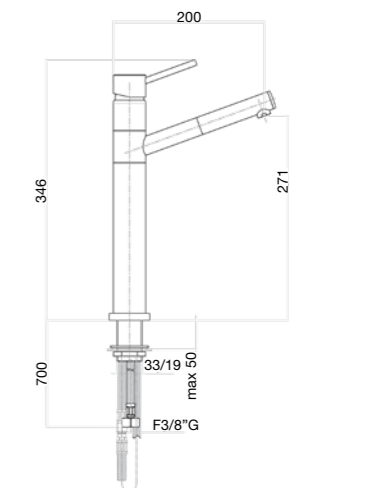


Miscelatore lavello con prolunga cm 20, doccetta estraibile, flex cm 70 3/8" F.  
One hole sink mixer, 20 cm extension, pull-out shower, flex cm 70 3/8" F.  
Mitigeur évier avec rallonge cm 20, douchette extractible, flexibles cm 70 3/8" F.  
Смеситель для мойки, выдвижной излив, гибкая подводка 70 см. высота излива 271 мм 3/8" F.

Finitura / finishing / finition / Покрытие

CR  
AA

1/2 44 CR 5448 02  
14,9 Kg  
box pcs. 5

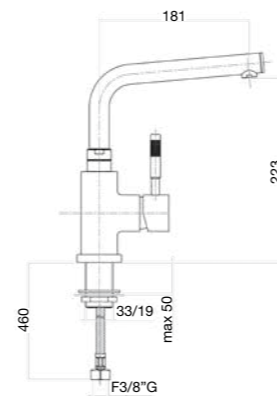


Ø 35 mm s/d  
35 CA10 21

44 CR 5490 01

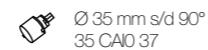


Miscelatore lavello canna L, flex cm 46 3/8"F.  
One hole sink mixer, L-spout, flex cm 46 3/8"F.  
Mitigeur évier, bec L, flexibles cm 46 3/8"F.  
Смеситель для мойки, гибкая подводка 46 см. L-излив 3/8"F.



Finitura / finishing / finition / Покрытие

CR  
AA



1/2 44 CR 5490 02

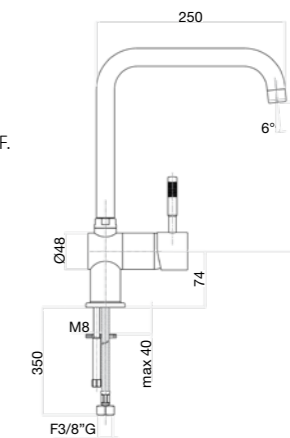
15,75 Kg  
box pcs. 5

Xenon

44 CR 5461 01



Miscelatore lavello corpo orizzontale, canna L, tubi flex cm 35 3/8"F.  
Horizontal sink mixer, L-spout, flex cm 35 3/8"F.  
Mitigeur évier horizontal, bec L, flexibles cm 35 3/8"F.  
Смеситель для мойки, L-излив гибкая подводка 35 см 3/8"F.



Finitura / finishing / finition / Покрытие

CR  
AA

1/2 44 CR 5461 02

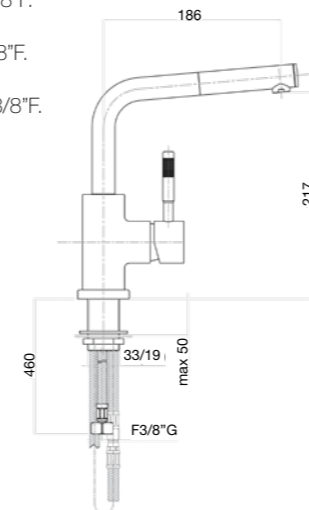
12,75 Kg  
box pcs. 5



44 CR 5499 01

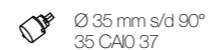


Miscelatore lavello canna L doccetta estraibile, flex cm 46 3/8"F.  
One hole sink mixer, L-spout, pull-out shower, flex cm 46 3/8"F.  
Mitigeur évier, bec L, douchette extractible, flexibles cm 46 3/8"F.  
Смеситель для мойки, выдвижной L-излив, гибкая подводка 46 см 3/8"F.



Finitura / finishing / finition / Покрытие

CR  
AA



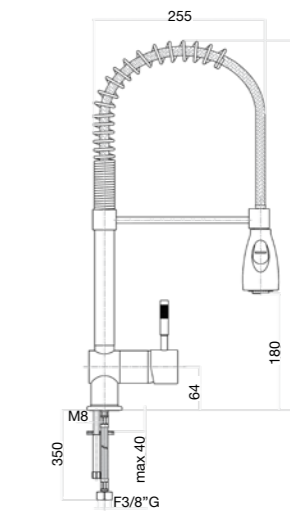
1/2 44 CR 5499 02

18,3 Kg  
box pcs. 5

44 CR 5465 01



Miscelatore lavello industriale, flex cm 35 3/8"F.  
Professional sink mixer, flex cm 35 3/8"F.  
Mitigeur évier industriel, flexibles cm 35 3/8"F.  
Смеситель для мойки, гибкая подводка 35 см 3/8"F.



Finitura / finishing / finition / Покрытие

CR

1/2 44 CR 5465 02

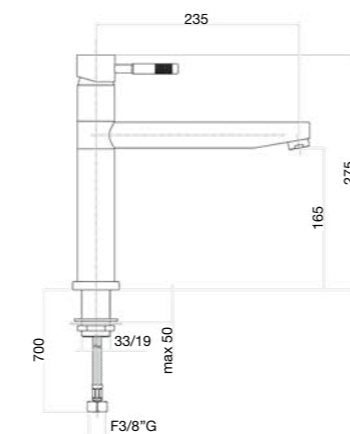
18,75 Kg  
box pcs. 5



44 CR 5451 01

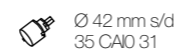


Miscelatore lavello flex cm 70 3/8"F.  
One hole sink mixer, flex cm 70 3/8"F.  
Mitigeur évier, flexibles cm 70 3/8"F.  
Смеситель для мойки, гибкая подводка 70 см 3/8"F.



Finitura / finishing / finition / Покрытие

CR  
AA



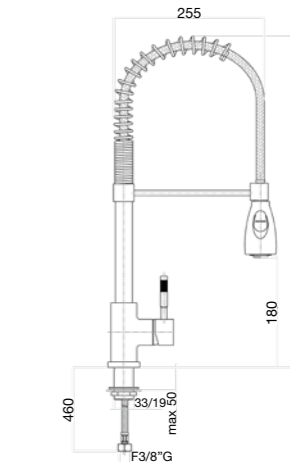
1/2 44 CR 5451 02

14,45 Kg  
box pcs. 5

44 CR 5425 01



Miscelatore lavello industriale, flex cm 35 3/8"F.  
Professional sink mixer, flex cm 35 3/8"F.  
Mitigeur évier industriel, flexibles cm 35 3/8"F.  
Смеситель для мойки, гибкая подводка 35 см 3/8"F.

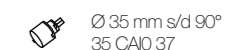


Finitura / finishing / finition / Покрытие

CR

1/2 44 CR 5425 02

20,65 Kg  
box pcs. 5



44 CR 5471

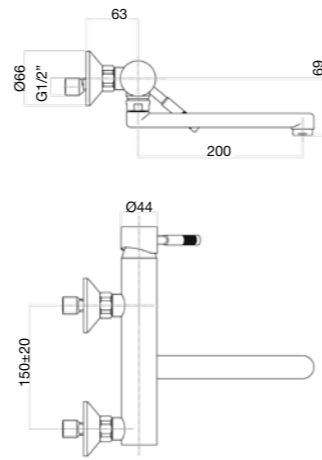


Miscelatore lavello a muro canna diritta cm 20.  
Wall sink mixer, 20 cm straight spout.  
Mitigeur évier mural, bec droit cm 20.  
Смеситель для мойки настенный монтаж

Finitura / finishing / finition / Покрытие

CR  
AA

14,45 Kg  
box pcs. 5



Ø 35 mm s/d  
35 CAIO 21

Xenon

86 CR 6550

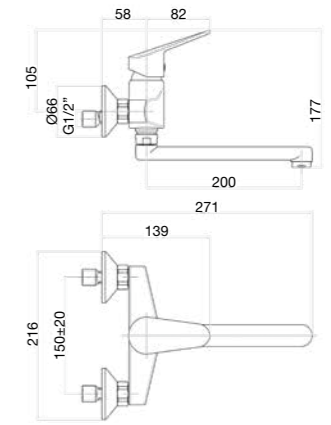


Miscelatore lavello a muro, canna diritta cm 20.  
Wall sink mixer, 20 cm straight spout.  
Mitigeur évier mural, bec droit cm 20.  
Смеситель для мойки настенный монтаж.

Finitura / finishing / finition / Покрытие

CR

12,8 Kg  
box pcs. 10



Ø 35 mm s/d  
35 CAIO 21

Kyro

86 CR 4310 01



Miscelatore lavello, leva laterale, canna gonfiata,  
flex cm 35 3/8"F.

One hole sink mixer, side lever, high spout, flex cm 35 3/8"F.

Mitigeur évier manette latérale bec gonflé, flexibles  
cm 35 3/8"F.

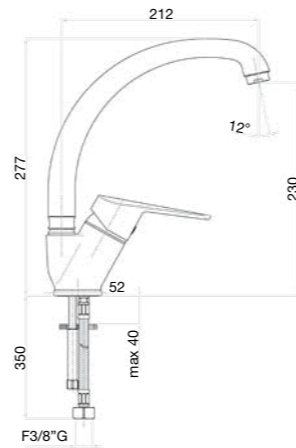
Смеситель для мойки, гибкая подводка 35 см 3/8"F.

Finitura / finishing / finition / Покрытие

CR

1/2 86 CR 4310 02

11,6 Kg  
box pcs. 10



Ø 42 mm c/d  
35 CAIO 30

Kyro

81 CR 4510 01



Miscelatore lavello, flex cm 35 3/8"F.

One hole sink mixer, flex cm 35 3/8"F.

Mitigeur évier, flexibles cm 35 3/8"F.

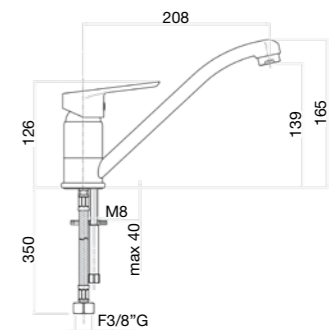
Смеситель для мойки, гибкая подводка 35 см 3/8"F.

Finitura / finishing / finition / Покрытие

CR

1/2 81 CR 4510 02

11,6 Kg  
box pcs. 10



Ø 35 mm s/d  
35 CAIO 21

Kevon

86 CR 4318 01



Miscelatore lavello leva laterale canna gonfiata flex cm 35 3/8"F.

One hole sink mixer, side lever, high spout, flex cm 35 3/8"F.

Mitigeur évier manette latérale bec gonflé, flexibles cm 35 3/8"F.

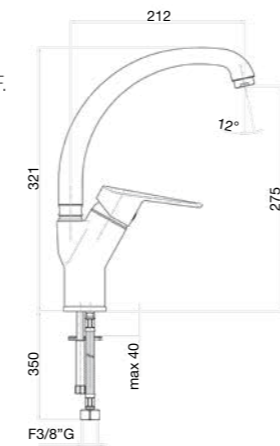
Смеситель для мойки, гибкая подводка 35 см 3/8"F.

Finitura / finishing / finition / Покрытие

CR

1/2 86 CR 4318 02

14,8 Kg  
box pcs. 5



Ø 42 mm c/d  
35 CAIO 30

81 CR 4310 01



Miscelatore lavello, leva laterale, canna gonfiata, flex cm 35 3/8"F.

One hole sink mixer, side lever, high spout, flex cm 35 3/8"F.

Mitigeur évier manette latérale bec gonflé,  
flexibles cm 35 3/8"F.

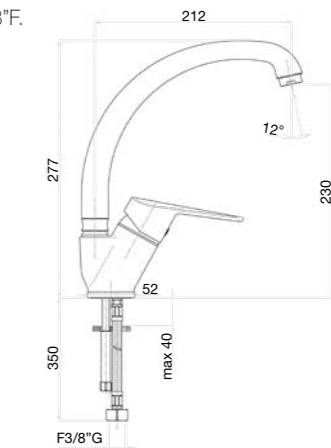
Смеситель для мойки, гибкая подводка 35 см 3/8"F.

Finitura / finishing / finition / Покрытие

CR

1/2 81 CR 4310 02

17,3 Kg  
box pcs. 10



Ø 42 mm c/d  
35 CAIO 30

Kitchen



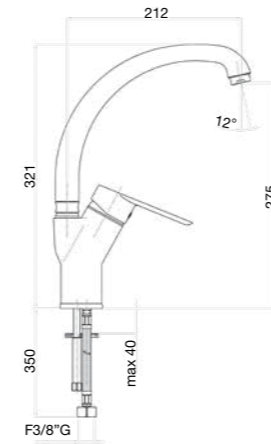
81 CR 4318 01

Miscelatore lavello leva laterale canna gonfiata flex cm 35 3/8" F.

One hole sink mixer, side lever, high spout, flex cm 35 3/8" F.

Mitigeur évier manette latérale bec gonflé, flexibles cm 35 3/8" F.

Смеситель для мойки, гибкая подводка 35 см 3/8" F.



Finitura / finishing / finition / Покрытие

CR

1/2 81 CR 4318 02

14,8 Kg box pcs. 5

Ø 42 mm c/d 35 CAIO 30

Kevon

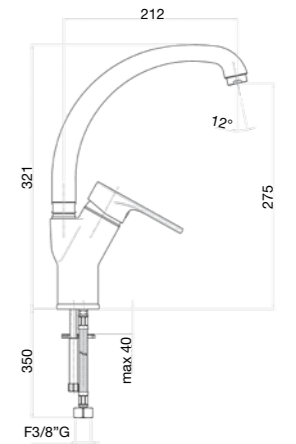
75 CR 4318 01

Miscelatore lavello leva laterale canna gonfiata flex cm 35 3/8" F.

One hole sink mixer, side lever, high spout, flex cm 35 3/8" F.

Mitigeur évier manette latérale bec gonflé, flexibles cm 35 3/8" F.

Смеситель для мойки, гибкая подводка 35 см 3/8" F.



Finitura / finishing / finition / Покрытие

CR

1/2 75 CR 4318 02

14,8 Kg box pcs. 5

Ø 42 mm c/d 35 CAIO 30

Kyma

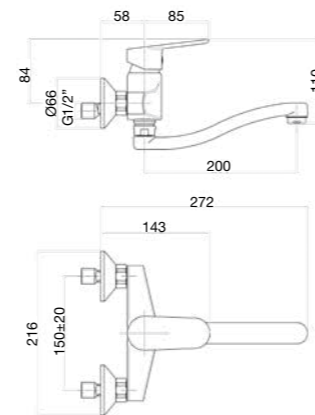
81 CR 6551

Miscelatore lavello a muro, canna S.

Wall sink mixer, S-spout.

Mitigeur évier mural, bec S.

Смеситель для мойки настенный монтаж.



Finitura / finishing / finition / Покрытие

CR

12,8 Kg box pcs. 10

Ø 35 mm s/d 35 CAIO 21

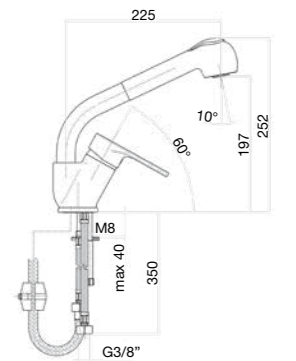
75 CR 4395 01

Miscelatore lavello, leva laterale, doccetta estraibile, flex cm 35 3/8" F.

One hole sink mixer, side lever, pull-out shower, flex cm 35 3/8" F.

Mitigeur évier, manette latérale, douchette extractible, flexibles cm 35 3/8" F.

Смеситель для мойки, выдвижной излив, гибкая подводка 35 см 3/8" F.



Finitura / finishing / finition / Покрытие

CR

1/2 75 CR 4395 02

25,1 Kg box pcs. 10

Ø 42 mm c/d 35 CAIO 30

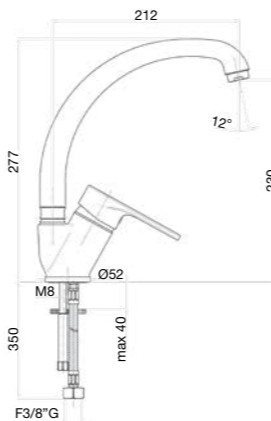
75 CR 4310 01

Miscelatore lavello, leva laterale, canna gonfiata, flex cm 35 3/8" F.

One hole sink mixer, side lever, high spout, flex cm 35 3/8" F.

Mitigeur évier manette latérale bec gonflé, flexibles cm 35 3/8" F.

Смеситель для мойки, гибкая подводка 35 см 3/8" F.



Finitura / finishing / finition / Покрытие

CR

1/2 75 CR 4310 02

18,4 Kg box pcs. 10

Ø 42 mm c/d 35 CAIO 30

Kyma

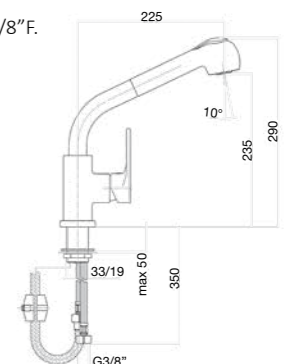
75 CR 5431 01

Miscelatore lavello con doccia estraibile, flex cm 46 3/8" F.

One hole sink mixer, pull-out shower, flex cm 46 3/8" F.

Mitigeur évier avec douchette extractible, flexibles cm 46 3/8" F.

Смеситель для мойки, выдвижной излив, гибкая подводка 46 см 3/8" F.



Finitura / finishing / finition / Покрытие

CR

1/2 75 CR 5431 02

27,55 Kg box pcs. 10

Ø 35 mm s/d 90° 35 CAIO 37

75 CR 6550



Miscelatoreavello a muro, canna diritta cm 20.

Wall sink mixer, 20 cm straight spout.

Mitigeur évier mural, bec droit cm 20.

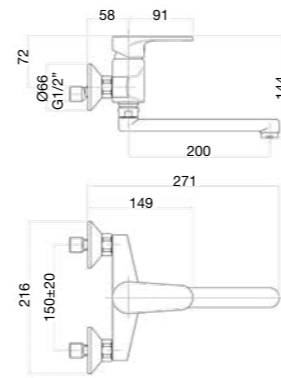
Смеситель для мойки настенный монтаж.

Finitura / finishing / finition / Покрытие

CR

10,85 Kg  
box pcs. 10

Kyma



Ø 35 mm s/d  
35 CAIO 21

75 CR 5489 01



Miscelatoreavello canna a ombrello, doccetta estraibile, flex cm 46 3/8" F.

One hole sink mixer, umbrella spout, pull-out shower, flex cm 46 3/8" F.

Mitigeur évier, bec à parapluie, douchette extractible, flexibles cm 46 3/8" F.

Смеситель для мойки, выдвижной излив, гибкая подводка 46 см 3/8" F.

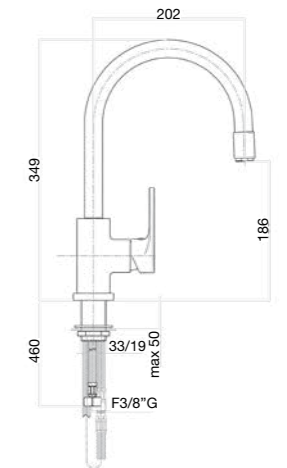
Finitura / finishing / finition / Покрытие

CR

1/2 75 CR 5489 02

16,25 Kg  
box pcs. 5

Kyma



Ø 35 mm s/d 90°  
35 CAIO 37

75 CR 6551



Miscelatoreavello a muro, canna S.

Wall sink mixer, S-spout.

Mitigeur évier mural, bec S.

Смеситель для мойки настенный монтаж.

Finitura / finishing / finition / Покрытие

CR

20,9 Kg  
box pcs. 10

75 CR 5480 01



Miscelatoreavello canna a ombrello, flex cm 46 3/8" F.

One hole sink mixer, umbrella spout, flex cm 46 3/8" F.

Mitigeur évier avec bec à parapluie, flexibles cm 46 3/8" F.

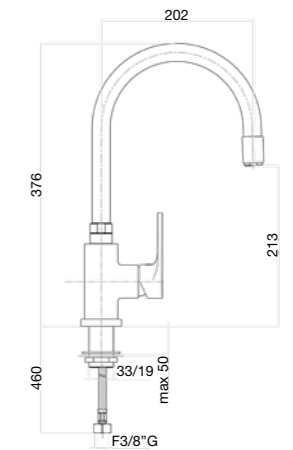
Смеситель для мойки, гибкая подводка 46 см 3/8" F.

Finitura / finishing / finition / Покрытие

CR

1/2 75 CR 5480 02

15,15 Kg  
box pcs. 5



Ø 35 mm s/d 90°  
35 CAIO 37

75 CR 5425 01



Miscelatoreavello industriale corpo laterale, flex cm 46 3/8" F.

One hole professional sink mixer, flex cm 46 3/8" F.

Mitigeur évier industriel corps latéral, flexibles cm 46 3/8" F.

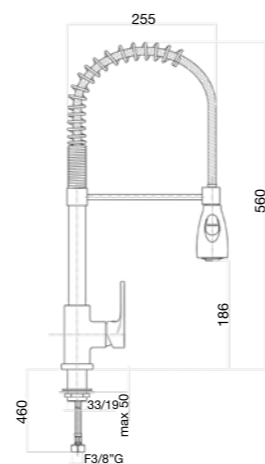
Смеситель для мойки, гибкая подводка 46 см 3/8" F.

Finitura / finishing / finition / Покрытие

CR

1/2 75 CR 5425 02

20,65 Kg  
box pcs. 5



Ø 35 mm s/d 90°  
35 CAIO 37

75 CR 5490 01



Miscelatoreavello canna a L, flex cm 46 3/8" F.

One hole sink mixer, L-spout, flex cm 46 3/8" F.

Mitigeur évier, bec L, flexibles cm 46 3/8" F.

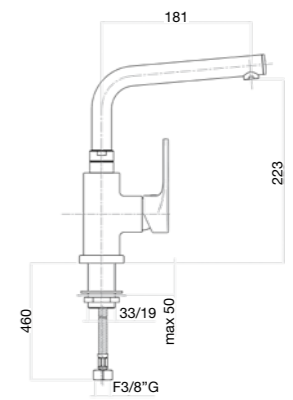
Смеситель для мойки, гибкая подводка 46 см L-излив 3/8" F.

Finitura / finishing / finition / Покрытие

CR

1/2 75 CR 5490 02

15,75 Kg  
box pcs. 5



Ø 35 mm s/d 90°  
35 CAIO 37

75 CR 5499 01



1/2 75 CR 5499 02

18,3 Kg  
box pcs. 5

Miscelatore lavello canna a L, doccetta estraibile, flex cm 46 3/8" F.

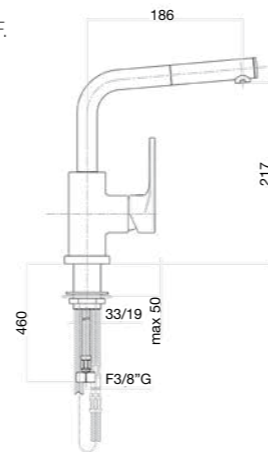
One hole sink mixer, L-spout, pull-out shower, flex cm 46 3/8" F.

Mitigeur évier, bec L, douchette extractible, flexibles cm 46 3/8" F.

Смеситель для мойки, выдвижной L-излив, гибкая подводка 46 см 3/8" F.

Finitura / finishing / finition / Покрытие

CR



Ø 35 mm s/d 90°  
35 CAIO 37

Kyma

39 CR 4324 01



1/2 39 CR 4324 02

14,75 Kg  
box pcs. 5

Miscelatore lavello, leva laterale, flex cm 35 3/8" F.

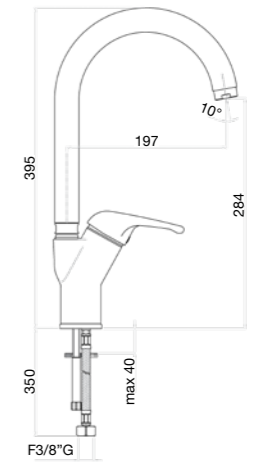
One hole sink mixer, side lever, flex cm 35 3/8" F.

Mitigeur évier, manette latérale, flexibles cm 35 3/8" F.

Смеситель для мойки, гибкая подводка 35 см 3/8" F.

Finitura / finishing / finition / Покрытие

CR



Ø 42 mm c/d  
35 CAIO 30

King

39 CR 4316 01



1/2 39 CR 4316 02

Vitone ceramico, 1/4 di giro  
1/4 turn ceramic head work

15,85 Kg  
box pcs. 5

Miscelatore lavello leva laterale, canna gonfiata, attacco lavastoviglie, flex cm 35 3/8" F.

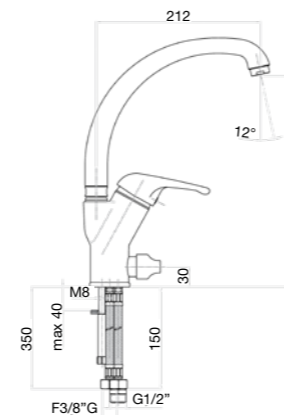
One hole sink mixer, side lever, high spout, dishwasher connection, flex cm 35 3/8" F.

Mitigeur évier, manette latérale, bec gonflé, connection lave-vaisselle, flexibles cm 35 3/8" F.

Смеситель для мойки, гибкая подводка 35 см 3/8" F.

Finitura / finishing / finition / Покрытие

CR



Ø 42 mm c/d  
35 CAIO 30

King

39 CR 4318 01



1/2 39 CR 4318 02

14,75 Kg  
box pcs. 5

Miscelatore lavello leva laterale, canna gonfiata, flex cm 35 3/8" F.

One hole sink mixer, side lever, high spout, flex cm 35 3/8" F.

Mitigeur évier, manette latérale, bec gonflé, flexibles cm 35 3/8" F.

Смеситель для мойки, гибкая подводка 35 см 3/8" F.

Finitura / finishing / finition / Покрытие

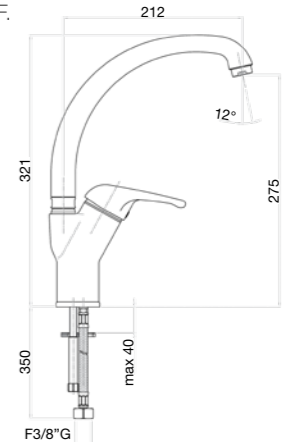
CR

CO

BC / BO / TC / CC

C1 / C3 / GS / GN

AA / RR / ZZ



Ø 42 mm c/d  
35 CAIO 30

Kitchen

39 CR 4319 01



1/2 39 CR 4319 02

Vitone ceramico, 1/4 di giro  
1/4 turn ceramic head work

15,85 Kg  
box pcs. 5

Miscelatore lavello leva laterale, canna gonfiata, entrata acqua depurata, flex cm 35 3/8" F.

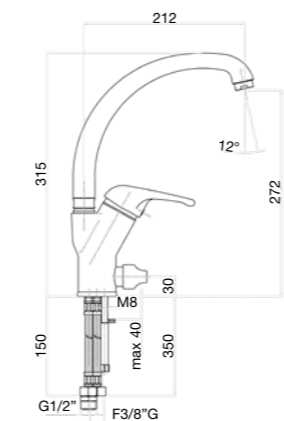
One hole sink mixer, side lever, high spout, inlet for filtered water, flex cm 35 3/8" F.

Mitigeur évier, manette latérale, bec gonflé, entrée eau filtrée, flexibles cm 35 3/8" F.

Смеситель для мойки, гибкая подводка 35 см 3/8" F.

Finitura / finishing / finition / Покрытие

CR



Ø 42 mm c/d  
35 CAIO 30

39 CR 4110 01



1/2 39 CR 4110 02

13,1 Kg  
box pcs. 10

Miscelatore lavello, flex cm 35 3/8" F.

One hole sink mixer, flex cm 35 3/8" F.

Mitigeur évier, flexibles cm 35 3/8" F.

Смеситель для мойки, гибкая подводка 35 см 3/8" F.

Finitura / finishing / finition / Покрытие

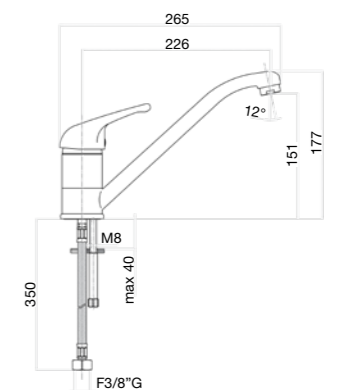
CR

CO

BC / BO / TC / CC

C1 / C3 / GS / GN

AA / RR / ZZ



Ø 42 mm s/d  
35 CAIO 31

39 CR 4135 01

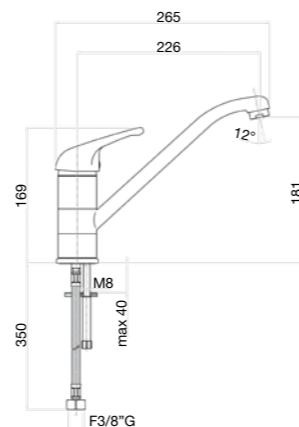


Miscelatore lavello con basetta alta, flex cm 35 3/8"F.

One hole sink mixer with high base, flex cm 35 3/8"F.

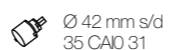
Mitigeur évier avec embase haute, flexibles cm 35 3/8"F.

Смеситель для мойки, гибкая подводка 35 см 3/8"F.



Finitura / finishing / finition / Покрытие

CR



1/2 39 CR 4135 02

15,1 Kg  
box pcs. 10

39 CR 4160 01

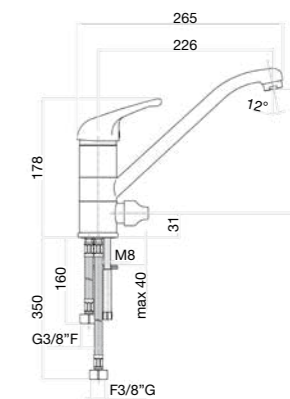


Miscelatore lavello, entrata acqua depurata, flex cm 35 3/8"F.

One hole sink mixer, inlet for filtered water, flex cm 35 3/8"F.

Mitigeur évier, entrée eau filtrée, flexibles cm 35 3/8"F.

Смеситель для мойки, гибкая подводка 35 см 3/8"F.



Finitura / finishing / finition / Покрытие

CR



1/2 39 CR 4160 02

23,3 Kg  
box pcs. 10

39 CR 4090 01

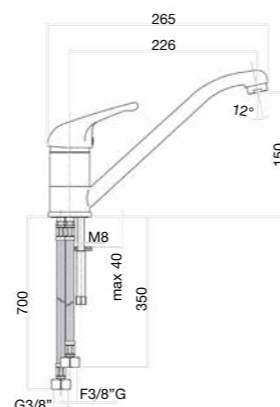


Miscelatore lavello bassa pressione, flex cm 35 3/8"F.

Low pressure sink mixer flex cm 35 3/8"F.

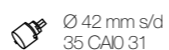
Mitigeur évier basse pression, flexibles cm 35 3/8"F.

Смеситель для мойки, гибкая подводка 35 см 3/8"F.



Finitura / finishing / finition / Покрытие

CR



1/2 39 CR 4090 02

21 Kg  
box pcs. 10

39 CR 4180 01

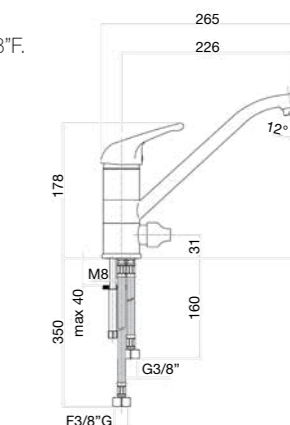


Miscelatore lavello, attacco lavastoviglie, flex cm 35 3/8"F.

One hole sink mixer with dishwasher connection, flex cm 35 3/8"F.

Mitigeur évier, connection lave-vaisselle, flexibles cm 35 3/8"F.

Смеситель для мойки, гибкая подводка 35 см 3/8"F.



Finitura / finishing / finition / Покрытие

CR



1/2 39 CR 4180 02

Vitone ceramico, 1/4 di giro  
1/4 turn ceramic head work22,8 Kg  
box pcs. 10

39 CR 4070 01

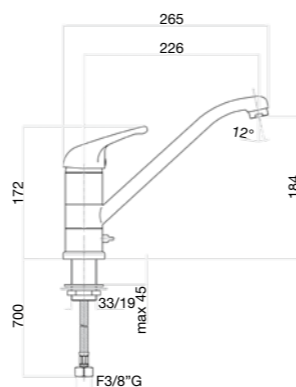


Miscelatore lavello sottofinestra, flex cm 70 3/8"F.

Under-window sink mixer flex cm 70 3/8"F.

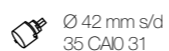
Mitigeur évier sous fenêtre, flexibles cm 70 3/8"F.

Смеситель для мойки, гибкая подводка 70 см 3/8"F.



Finitura / finishing / finition / Покрытие

CR



1/2 39 CR 4070 02

22,6 Kg  
box pcs. 10

39 CR 4125 01

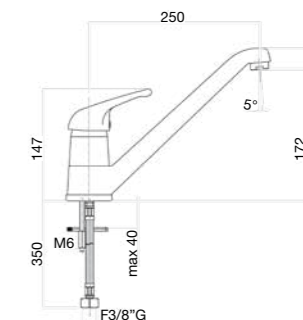


Miscelatore lavello, canna fusa, flex cm 35 3/8"F.

One hole sink mixer, cast spout, flex cm 35 3/8"F.

Mitigeur évier, bec fondu, flexibles cm 35 3/8"F.

Смеситель для мойки, гибкая подводка 35 см 3/8"F.



Finitura / finishing / finition / Покрытие

CR



1/2 39 CR 4125 02

25,8 Kg  
box pcs. 10

39 CR 4071 01

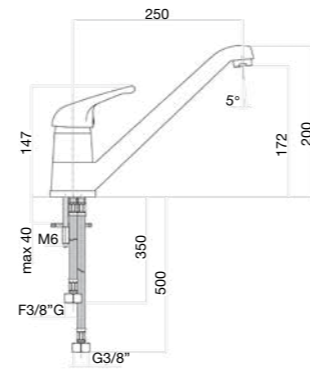


Miscelatore lavello, bassa pressione, canna fusa, flex cm 35 3/8" F.

Low pressure sink mixer cast spout flex cm 35 3/8" F.

Mitigeur évier, bec fondu, flexibles cm 35, basse pression 3/8" F.

Смеситель для мойки, гибкая подводка 35 см 3/8" F.



Finitura / finishing / finition / Покрытие

CR

1/2 39 CR 4071 02

21,7 Kg  
box pcs. 10

Ø 42 mm s/d  
35 CA10 31

King

39 CR 4184 01

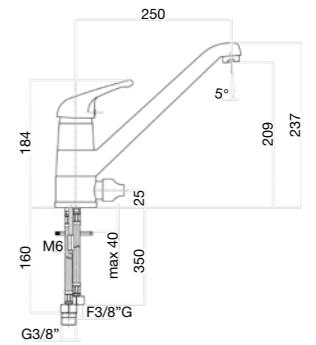


Miscelatore lavello, entrata acqua depurata, canna fusa, flex cm 35 3/8" F.

One hole sink mixer cast spout, inlet for filtered water, flex cm 35 3/8" F.

Mitigeur évier, bec fondu, entrée eau filtrée, flexibles cm 35 3/8" F.

Смеситель для мойки, гибкая подводка 35 см 3/8" F.



Finitura / finishing / finition / Покрытие

CR

1/2 39 CR 4184 02

30,2 Kg  
box pcs. 10

Ø 42 mm s/d  
35 CA10 31

King

39 CR 4182 01

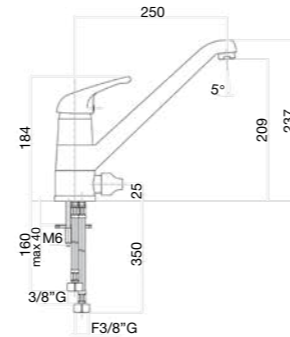


Miscelatore lavello, attacco lavastoviglie, canna fusa, flex cm 35 3/8" F.

One hole sink mixer, cast spout, dishwasher connection, flex cm 35 3/8" F.

Mitigeur évier, bec fondu, connection lave-vaisselle, flexibles cm 35 3/8" F.

Смеситель для мойки, гибкая подводка 35 см 3/8" F.



Finitura / finishing / finition / Покрытие

CR

1/2 39 CR 4182 02

30,2 Kg  
box pcs. 10

Ø 42 mm s/d  
35 CA10 31

39 CR 4395 01

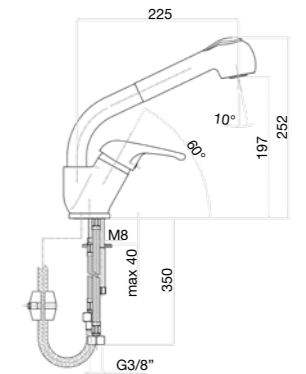


Miscelatore lavello, leva laterale, doccetta estraibile, flex cm 35 3/8" F.

One hole sink mixer, side lever, pull-out shower, flex cm 35 3/8" F.

Mitigeur évier, douchette extractible, manette latérale, flexibles cm 35 3/8" F.

Смеситель для мойки, выдвижной излив, гибкая подводка 35 см 3/8" F.



Finitura / finishing / finition / Покрытие

CR

CO

BC / BO / TC / CC

C1 / C3 / GS / GN

AA / RR / ZZ

1/2 39 CR 4395 02

27,8 Kg  
box pcs. 10

Ø 42 mm c/d  
35 CA10 30

Kitchen

39 CR 4183 01

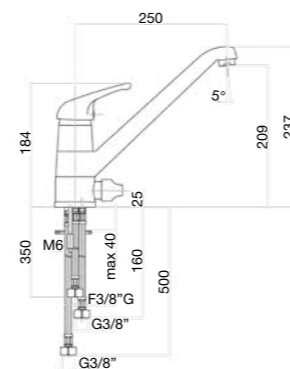


Miscelatore lavello attacco lavastoviglie, canna fusa, bassa pressione, flex cm 35 3/8" F.

Low pressure sink mixer, cast spout, dishwasher connection, flex cm 35 3/8" F.

Mitigeur évier, bec fondu, connection lave-vaisselle, flex cm 35, basse pression 3/8" F.

Смеситель для мойки, гибкая подводка 35 см 3/8" F.



Finitura / finishing / finition / Покрытие

CR

1/2 39 CR 4183 02

31 Kg  
box pcs. 10

Ø 42 mm s/d  
35 CA10 31

39 CR 4010 01

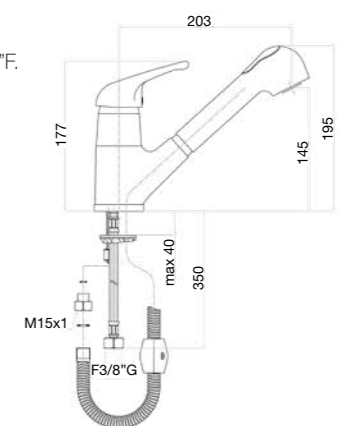


Miscelatore lavello, doccetta estraibile, flex cm 35 3/8" F.

One hole sink mixer with pull-out shower flex cm 35 3/8" F.

Mitigeur évier avec douchette extractible, flexibles cm 35 3/8" F.

Смеситель для мойки, выдвижной излив, гибкая подводка 35 см 3/8" F.



Finitura / finishing / finition / Покрытие

CR

CO

BC / BO / TC / CC

C1 / C3 / GS / GN

AA / RR / ZZ

1/2 39 CR 4010 02

27,3 Kg  
box pcs. 10

Ø 42 mm s/d  
35 CA10 31

39 CR 4020 01

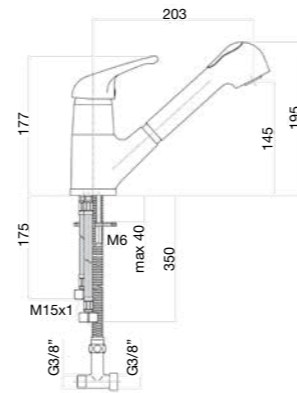


Miscelatore lavello, doccetta estraibile, bassa pressione, flex cm 35 3/8" F.

Low pressure sink mixer with pull-out shower flex cm 35 3/8" F.

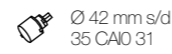
Mitigeur évier avec douchette extractible, flexibles cm 35, basse pression 3/8" F.

Смеситель для мойки, выдвижной излив, гибкая подводка 35 см 3/8" F.



Finitura / finishing / finition / Покрытие

CR



1/2 39 CR 4020 02

30,7 Kg box pcs. 10

King

39 CR 4397 01

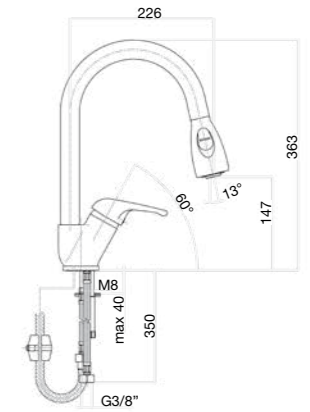


Miscelatore lavello, leva laterale, canna ombrello, doccetta estraibile, flex cm 35 3/8" F.

One hole sink mixer, side lever, umbrella spout, pull-out shower, flex cm 35 3/8" F.

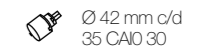
Mitigeur évier, manette latérale, douchette extractible, bec à parapluie, flexibles cm 35 3/8" F.

Смеситель для мойки, выдвижной излив, гибкая подводка 35 см 3/8" F.



Finitura / finishing / finition / Покрытие

CR



1/2 39 CR 4397 02

16,2 Kg box pcs. 5

39 CR 4310 01

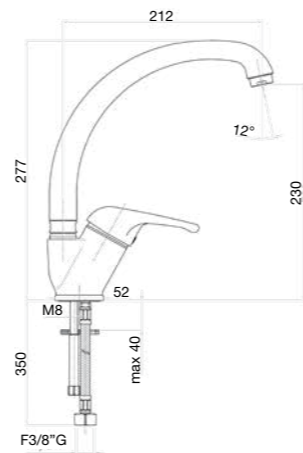


Miscelatore lavello, leva laterale, canna gonfiata cm 20, flex cm 35 3/8" F.

One hole sink mixer, side lever, 20 cm high spout, flex cm 35 3/8" F.

Mitigeur monotrou évier, manette latérale, bec gonflé cm 20, flexibles cm 35 3/8" F.

Смеситель для мойки, гибкая подводка 35 см 3/8" F.



Finitura / finishing / finition / Покрытие

CR  
CO  
BC / BO / TC / CC  
C1 / C3 / GS / GN  
AA / RR / ZZ



1/2 39 CR 4310 02

17,1 Kg box pcs. 10

39 CR 4399 01

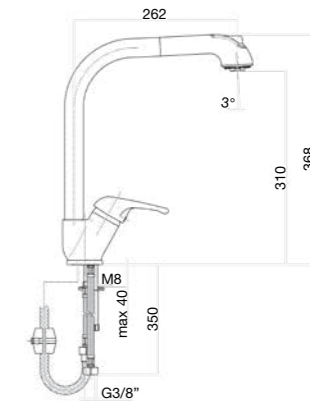


Miscelatore lavello, leva laterale, canna L, doccetta estraibile, flex cm 35 3/8" F.

One hole sink mixer, side lever, L-spout, pull-out shower, flex cm 35 3/8" F.

Mitigeur évier, manette latérale, douchette extractible, bec L, flexibles cm 35 3/8" F.

Смеситель для мойки, выдвижной излив, гибкая подводка 35 см 3/8" F.



Finitura / finishing / finition / Покрытие

CR



1/2 39 CR 4399 02

14,4 Kg box pcs. 5

39 CR 4325 01

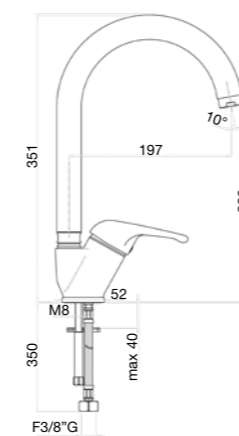


Miscelatore lavello, leva laterale, flex cm 35 3/8" F.

One hole sink mixer, side lever, flex cm 35 3/8" F.

Mitigeur évier, manette latérale, flexibles cm 35 3/8" F.

Смеситель для мойки, гибкая подводка 35 см 3/8" F.



Finitura / finishing / finition / Покрытие

CR



1/2 39 CR 4325 02

10,7 Kg box pcs. 5

39 CR 4360 01

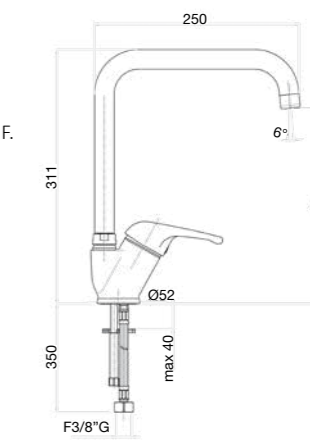


Miscelatore lavello, leva laterale, canna L, flex cm 35 3/8" F.

One hole sink mixer, side lever, L-spout, flex cm 35 3/8" F.

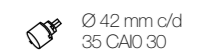
Mitigeur évier, manette latérale, bec L, flexibles cm 35 3/8" F.

Смеситель для мойки, гибкая подводка 35 см. L-излив 3/8" F.



Finitura / finishing / finition / Покрытие

CR



1/2 39 CR 4360 02

18,1 Kg box pcs. 10

39 CR 4379 01



Miscelatore lavello, leva laterale, canna fusa cm 13, flex cm 35 3/8" F.

One hole sink mixer, side lever, 13 cm cast spout, flex cm 35 3/8" F.

Mitigeur évier, manette latérale, bec fondu 13 cm, flexibles cm 35 3/8" F.

Смеситель для мойки, гибкая подводка 35 см. J-излив 13 см 3/8" F.

1/2 39 CR 4379 02

21,1 Kg box pcs. 10

39 CR 4380 01



Miscelatore lavello, leva laterale, canna J cm 20, flex cm 35 3/8" F.

One hole sink mixer, side lever, 20 cm J-spout, flex cm 35 3/8" F.

Mitigeur évier, manette latérale, bec tube J 20 cm, flexibles cm 35 3/8" F.

Смеситель для мойки, гибкая подводка 35 см. J-излив 3/8" F.

1/2 39 CR 4380 02

16,9 Kg box pcs. 10

39 CR 5465



Monoforo lavello industriale, flex cm 35 3/8" F.

One hole professional sink mixer, flex cm 35 3/8" F.

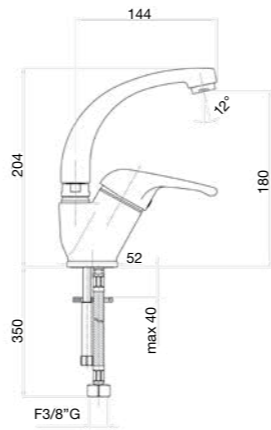
Mitigeur évier industriel, flexibles cm 35 3/8" F.

Смеситель для мойки, гибкая подводка 35 см 3/8" F.

1/2 39 CR 5465 02

10,7 Kg box pcs. 5

King



Ø 42 mm c/d 35 CA10 30

39 CR 4240



21,1 Kg box pcs. 10

39 CR 4260



17,3 Kg box pcs. 10

39 CR 4250



26 Kg box pcs. 10

King

Miscelatore lavello a muro, canna L.

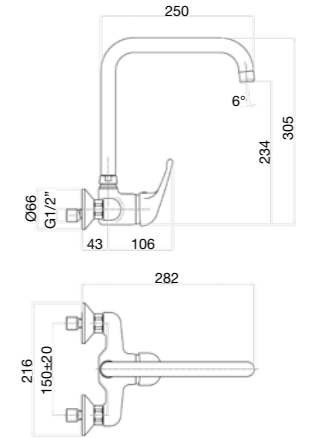
Wall sink mixer L-spout.

Mitigeur évier mural avec bec L.

Смеситель для мойки настенный монтаж L-излив.

Finitura / finishing / finition / Покрытие

CR



Ø 42 mm s/d 35 CA10 31

Miscelatore lavello a muro canna J gonfiata.

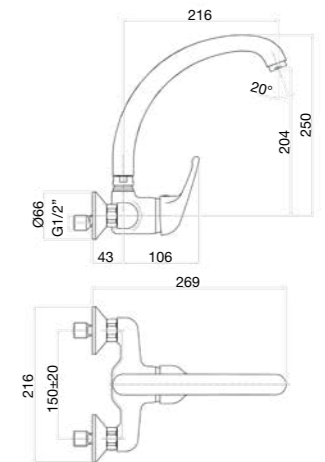
Wall sink mixer high J-spout.

Mitigeur évier mural, bec gonflé J.

Смеситель для мойки настенный монтаж J-излив.

Finitura / finishing / finition / Покрытие

CR



Ø 42 mm s/d 35 CA10 31

Miscelatore lavello a muro, canna diritta cm 30, con deviatore e duplex.

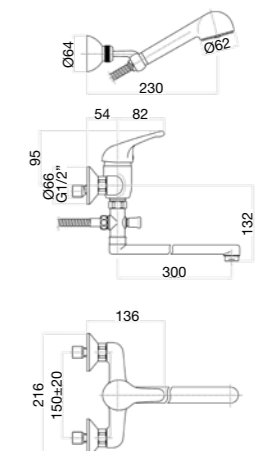
Wall sink mixer, 30 cm straight spout, diverter and shower set.

Mitigeur évier mural, bec droit cm 30 avec inverseur et garniture.

Смеситель для ванны, настенный монтаж, прямой излив 30 см. с душевым гарнитуром.

Finitura / finishing / finition / Покрытие

CR



Ø 42 mm s/d 35 CA10 31

39 CR 4296

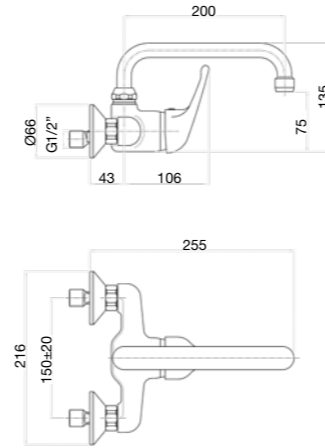
King

Miscelatore lavello a muro canna tubo U cm 20 ø mm 18.

Wall sink mixer 20 cm U-spout, Ø mm 18.

Mitigeur évier mural, bec U cm 20 ø 18.

Смеситель для мойки настенный монтаж



Finitura / finishing / finition / Покрытие

CR

15,3 Kg  
box pcs. 10

Ø 42 mm s/d  
35 CA10 31

39 CR 4200

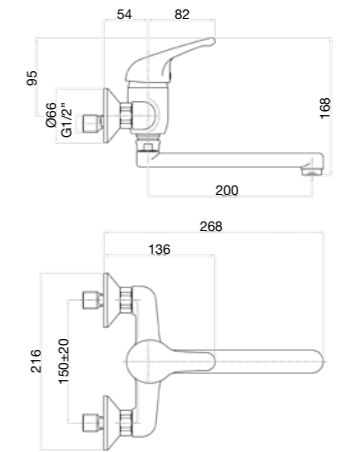
King

Miscelatore lavello a muro, canna diritta cm 20.

Wall sink mixer, 20 cm straight spout.

Mitigeur évier mural, bec droit cm 20.

Смеситель для мойки настенный монтаж.



Finitura / finishing / finition / Покрытие

CR  
CO  
BC / BO / TC / CC  
C1 / C3 / GS / GN  
AA / RR / ZZ

16,4 Kg  
box pcs. 10

Ø 42 mm s/d  
35 CA10 31

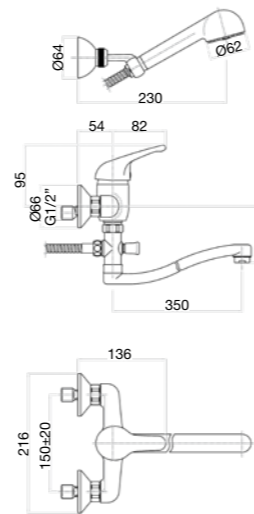
39 CR 4251

Miscelatore lavello a muro, canna S cm 35, con deviatore e duplex.

Wall sink mixer, 35 cm S-spout, diverter and shower set.

Mitigeur évier mural, bec S cm 35 avec inverseur et garniture.

Смеситель для ванны, настенный монтаж, S-излив 35 см. с душевым гарнитуром.



Finitura / finishing / finition / Покрытие

CR

26 Kg  
box pcs. 10

Ø 42 mm s/d  
35 CA10 31

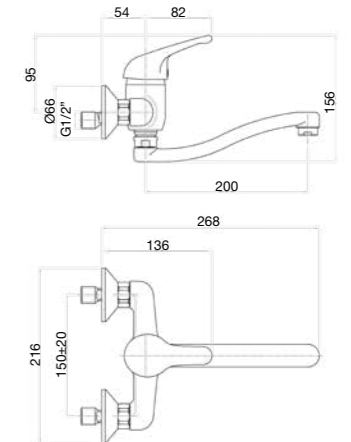
39 CR 4220

Miscelatore lavello a muro, canna S cm 20.

Wall sink mixer, 20 cm S-spout.

Mitigeur évier mural avec bec S cm 20.

Смеситель для мойки настенный монтаж S-излив 20 см.



Finitura / finishing / finition / Покрытие

CR

17,4 Kg  
box pcs. 10

Ø 42 mm s/d  
35 CA10 31

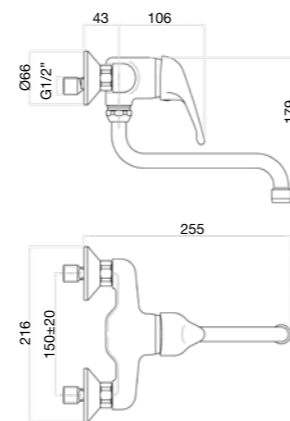
39 CR 4245

Miscelatore lavello a muro, canna tubo S.

Wall sink mixer, tube S-spout.

Mitigeur évier mural, bec tube S.

Смеситель для мойки настенный монтаж.



Finitura / finishing / finition / Покрытие

CR

9,8 Kg  
box pcs. 10

Ø 42 mm s/d  
35 CA10 31

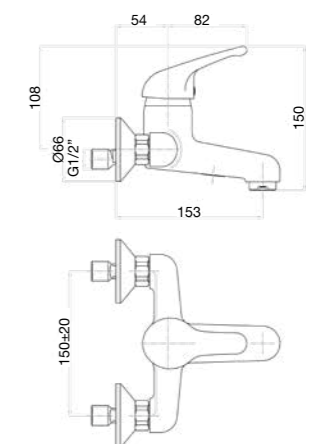
39 CR 1008

Miscelatore lavello a muro.

Wall sink mixer.

Mitigeur évier mural.

Смеситель для мойки.



Finitura / finishing / finition / Покрытие

CR

18,8 Kg  
box pcs. 10

Ø 42 mm s/d  
35 CA10 30



33 CR 4110 01



Miscelatore lavello, flex cm 35 3/8" F.

One hole sink mixer, flex cm 35 3/8" F.

Mitigeur évier, flexibles cm 35 3/8" F.

Смеситель для мойки, гибкая подводка 35 см 3/8" F.

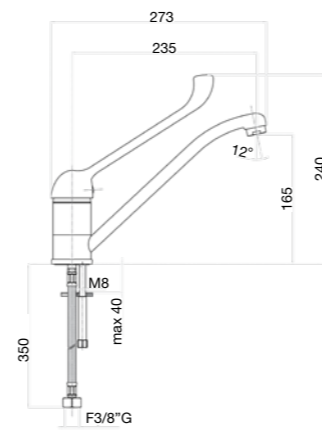
Finitura / finishing / finition / Покрытие

CR

1/2 33 CR 4110 02

14,5 Kg  
box pcs. 10

Clin



Ø 42 mm s/d  
35 CA10 31

33 CR 4200



Miscelatore lavello a muro, canna diritta cm 20.

Wall sink mixer, 20 cm straight spout.

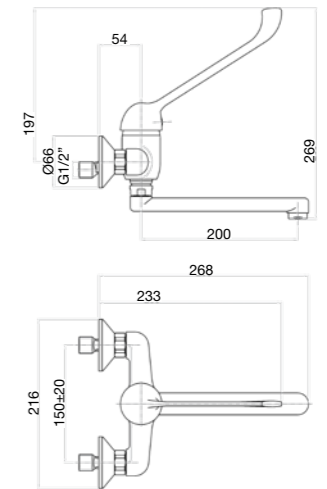
Mitigeur évier mural, manette clinique, bec droit cm 20.

Смеситель настенный для мойки.

Finitura / finishing / finition / Покрытие

CR

16,3 Kg  
box pcs. 10



Ø 42 mm s/d  
35 CA10 31

33 CR 4510 01



Miscelatore lavello, flex cm 35 3/8" F.

One hole sink mixer, flex cm 35 3/8" F.

Mitigeur évier, flexibles cm 35 3/8" F.

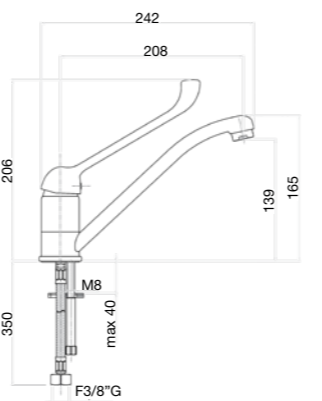
Смеситель для мойки, гибкая подводка 35 см 3/8" F.

Finitura / finishing / finition / Покрытие

CR

1/2 33 CR 4510 02

10,9 Kg  
box pcs. 10



Ø 42 mm s/d  
35 CA10 31

33 CR 4220



Miscelatore lavello a muro, canna S cm 20.

Wall sink mixer, 20 cm S-spout.

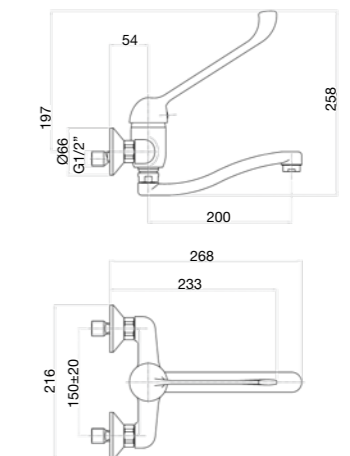
Mitigeur évier mural, manette clinique, bec S cm 20.

Смеситель настенный для мойки.

Finitura / finishing / finition / Покрытие

CR

17,1 Kg  
box pcs. 10



Ø 42 mm s/d  
35 CA10 31

33 CR 0800



Gruppo lavello a muro, leva clinica.

Wall sink mixer with clinical lever.

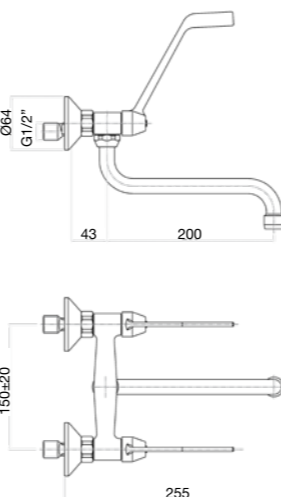
Mélangeur évier mural, manette clinique.

Смеситель настенный для мойки.

Finitura / finishing / finition / Покрытие

CR

12,2 Kg  
box pcs. 10



Vitone ceramico, 1/4 di giro  
1/4 turn ceramic head work

33 CR 0930



Miscelatore lavello termostatico con leva clinica.

Thermostatic sink mixer with clinical lever.

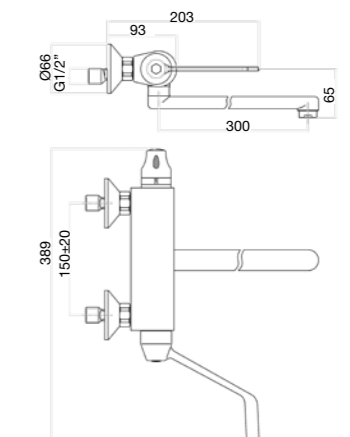
Mitigeur évier mural thermostatique avec levier clinique.

Термостатический смеситель для мойки с медицинским рычагом.

Finitura / finishing / finition / Покрытие

CR

25 Kg  
box pcs. 10



Vitone ceramico, 1/4 di giro  
1/4 turn ceramic head work

41 CR 4631 01

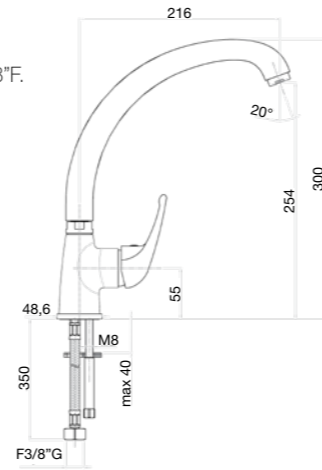


Miscelatore lavello, leva laterale, canna gonfiata, flex cm 35 3/8"F.

One hole sink mixer, side lever, high spout, flex cm 35 3/8"F.

Mitigeur évier, manette latérale, bec gonflé, flexibles cm 35 3/8"F.

Смеситель для мойки, высокий излив, гибкая подводка 35 см 3/8" F.



Finitura / finishing / finition / Покрытие

CR  
BC / TC / CC  
C1 / C3 / GS / GN

1/2 41 CR 4631 02

15,9 Kg  
box pcs. 10

Ø 35 mm s/d  
35 CAIO 21

Altura

41 CR 4660 01

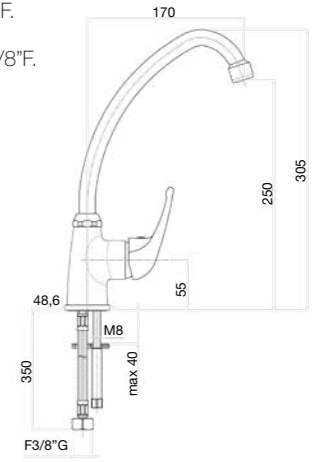


Miscelatore lavello, leva laterale, canna tubo J cm 20, flex cm 35 3/8"F.

One hole sink mixer, side lever, 20 cm J-spout, flex cm 35 3/8"F.

Mitigeur évier, manette latérale, bec J cm 20, flexibles cm 35 3/8"F.

Смеситель для мойки J-излив, гибкая подводка 35 см 3/8" F.



Finitura / finishing / finition / Покрытие

CR

1/2 41 CR 4660 02

14,8 Kg  
box pcs. 10

Ø 35 mm s/d  
35 CAIO 21

41 CR 4510 01

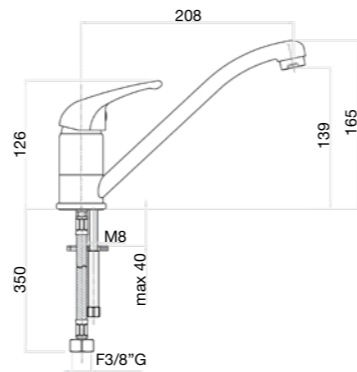


Miscelatore lavello, flex cm 35 3/8"F.

One hole sink mixer, flex cm 35 3/8"F.

Mitigeur évier, flexibles cm 35 3/8"F.

Смеситель для мойки, гибкая подводка 35 см 3/8" F.



Finitura / finishing / finition / Покрытие

CR  
BC / TC / CC  
C1 / C3 / GS / GN

1/2 41 CR 4510 02

12,6 Kg  
box pcs. 10

Ø 35 mm s/d  
35 CAIO 21

41 CR 4659

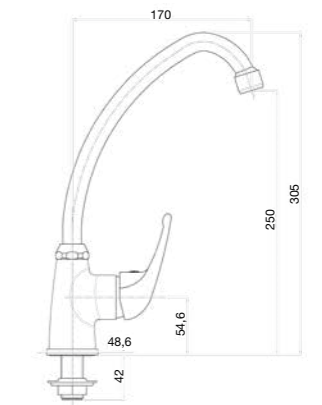


Rubinetto lavello monotubo, leva laterale, canna tubo J cm 20.

One hole sink tap, side lever, one water inlet, tube 20 cm J-spout.

Robinet évier, manette latérale, une seule entrée d'eau, bec J cm 20.

Кран для мойки, J-излив.



Finitura / finishing / finition / Покрытие

CR

12,7 Kg  
box pcs. 10

Ø 35 mm s/d  
35 CAIO 21

41 CR 4509

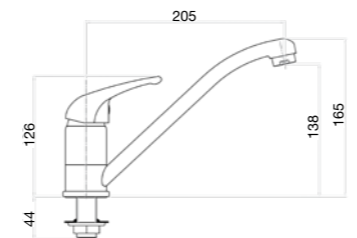


Rubinetto lavello monotubo, attacco 1/2".

One hole sink tap, one water inlet, 1/2" connection.

Robinet évier, une seule entrée d'eau, connection 1/2".

Кран для мойки, подключение 1/2"



Finitura / finishing / finition / Покрытие

CR

12,9 Kg  
box pcs. 10

Ø 35 mm s/d  
35 CAIO 21

41 CR 4664 01

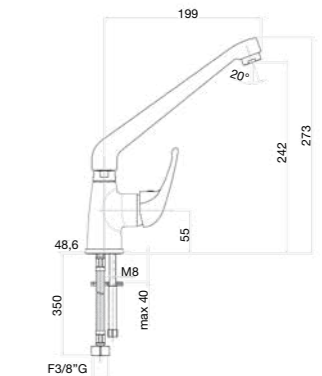


Miscelatore lavello, leva laterale, canna fusa cm 20, flex cm 35 3/8"F.

One hole sink mixer, side lever, 20 cm cast spout, flex cm 35 3/8"F.

Mitigeur évier, manette latérale, bec fondu cm 20, flexibles cm 35 3/8"F.

Смеситель для мойки, гибкая подводка 35 см 3/8" G.



Finitura / finishing / finition / Покрытие

CR

1/2 41 CR 4664 02

19,1 Kg  
box pcs. 10

Ø 35 mm s/d  
35 CAIO 21

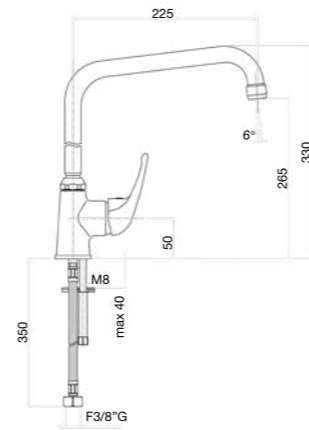
41 CR 4610 01



Miscelatore lavello, leva laterale, canna L, flex cm 35 3/8" F.  
One hole sink mixer, side lever, L-spout, flex cm 35 3/8" F.  
Mitigeur évier, manette latérale, bec L, flexibles cm 35 3/8" F.  
Смеситель для мойки, L-излив гибкая подводка 35 см 3/8" F.

Finitura / finishing / finition / Покрытие

CR



Ø 35 mm s/d  
35 CAIO 21

1/2 41 CR 4610 02

15,9 Kg  
box pcs. 10

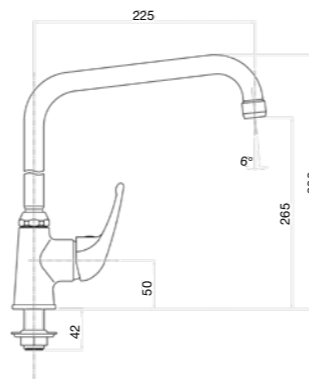
41 CR 4609



Rubinetto lavello monotubo, leva laterale, canna L.  
One hole sink tap, side lever, one water inlet, L-spout.  
Robinet évier, manette latérale, une seule entrée d'eau, bec L.  
Кран для мойки, подключение 1/2".

Finitura / finishing / finition / Покрытие

CR



Ø 35 mm s/d  
35 CAIO 21

15,9 Kg  
box pcs. 10

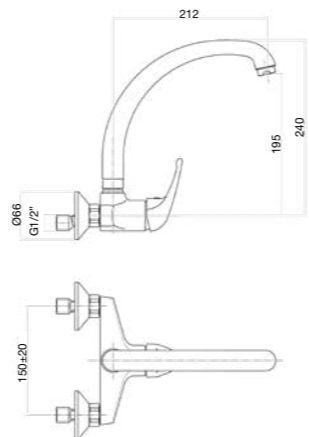
41 CR 4730



Miscelatore lavello a muro, canna gonfiata.  
Wall sink mixer, high spout.  
Mitigeur évier mural, bec gonflé.  
Смеситель для мойки, настенный монтаж, высокий излив.

Finitura / finishing / finition / Покрытие

CR



Ø 35 mm s/d  
35 CAIO 21

16,3 Kg  
box pcs. 10

Altura

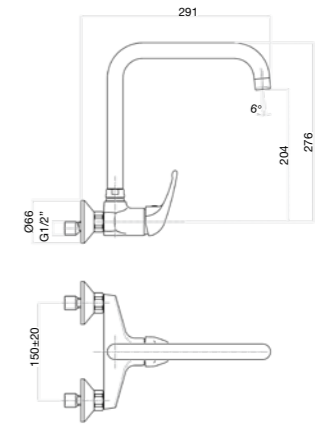
41 CR 4700



Miscelatore lavello a muro, canna a L.  
Wall sink mixer, L-spout.  
Mitigeur évier mural, bec L.  
Смеситель для мойки, настенный монтаж, L-излив.

Finitura / finishing / finition / Покрытие

CR



Ø 35 mm s/d  
35 CAIO 21

17,5 Kg  
box pcs. 10

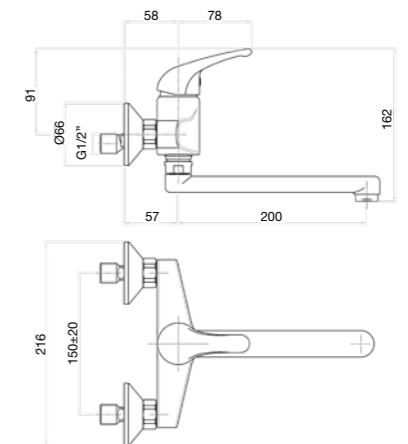
41 CR 4742



Miscelatore lavello a muro, canna diritta cm 20.  
Wall sink mixer, 20 cm straight spout.  
Mitigeur évier mural, bec droit cm 20.  
Смеситель для мойки, настенный монтаж.

Finitura / finishing / finition / Покрытие

CR



Ø 35 mm s/d  
35 CAIO 21

15,4 Kg  
box pcs. 10

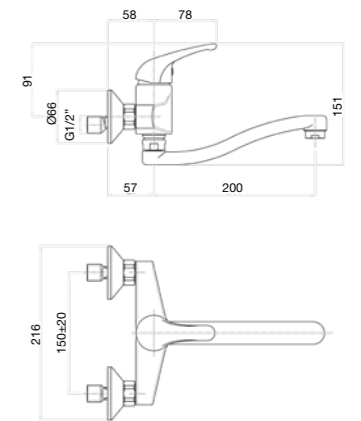
41 CR 4715



Miscelatore lavello a muro, canna S cm 20.  
Wall sink mixer, 20 cm S-spout.  
Mitigeur évier mural, bec S cm 20.  
Смеситель для мойки, настенный монтаж, S-излив.

Finitura / finishing / finition / Покрытие

CR



Ø 35 mm s/d  
35 CAIO 21

15,8 Kg  
box pcs. 10

Altura

41 CR 4740

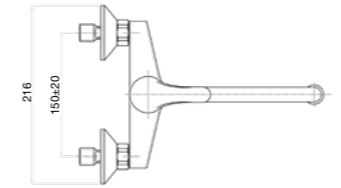
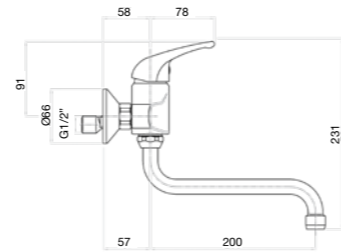


Miscelatore lavello a muro, canna tubo S cm 20.

Wall sink mixer, 20 cm tube S-spout.

Mitigeur évier mural, bec tube S cm 20.

Смеситель для мойки, настенный монтаж, S-излив.



Finitura / finishing / finition / Покрытие

CR

13,5 Kg  
box pcs. 10

Ø 35 mm s/d  
35 CAIO 21

Altura

14 CR 0364 01

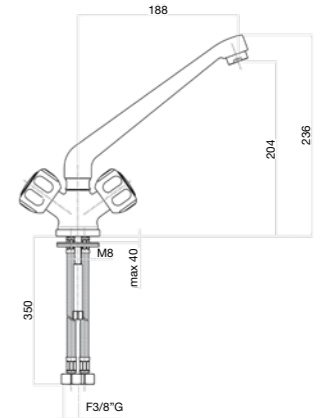


Monoforo lavello canna fusa cm 20 flex cm 35 3/8"F.

One hole sink mixer, 20 cm cast spout, flex cm 35 3/8"F.

Mélangeur monotrou évier, bec fondu cm 20, flexibles cm 35 3/8"F.

Смеситель для мойки, гибкая подводка 35 см 3/8"F.



Finitura / finishing / finition / Покрытие

CR

1/2 14 CR 0364 02

16,6 Kg  
box pcs. 10

Vitone ceramico, 1/4 di giro  
1/4 turn ceramic head work

41 CR 4741

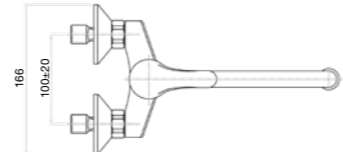
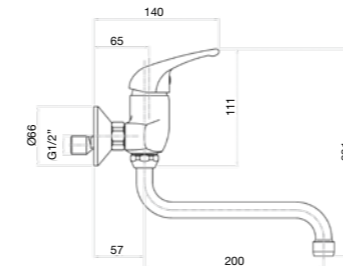


Miscelatore lavello a muro mm 100, canna tubo S cm 20.

Wall sink mixer mm 100, 20 cm tube S-spout.

Mitigeur évier mural entraxe mm 100, bec tube S cm 20.

Смеситель для мойки, настенный монтаж, 100 мм. S-излив.



Finitura / finishing / finition / Покрытие

CR

11,7 Kg  
box pcs. 10

Ø 35 mm s/d  
35 CAIO 21

14 CR 0360 01

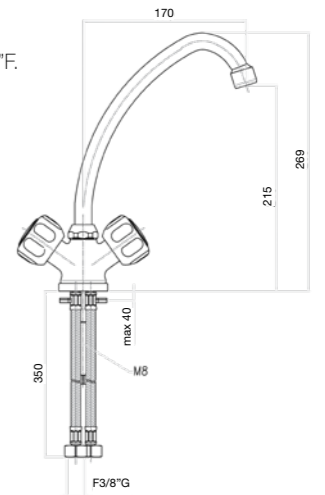


Monoforo lavello, canna J cm 20, flex cm 35 3/8"F.

One hole sink mixer, 20 cm J-spout, flex cm 35 3/8"F.

Mélangeur monotrou évier, bec J cm 20, flexibles cm 35 3/8"F.

Смеситель для мойки, гибкая подводка 35 см 3/8"F.



Finitura / finishing / finition / Покрытие

CR

1/2 14 CR 0360 02

15,4 Kg  
box pcs. 10

Vitone ceramico, 1/4 di giro  
1/4 turn ceramic head work

41 CR 4750

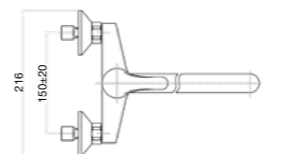
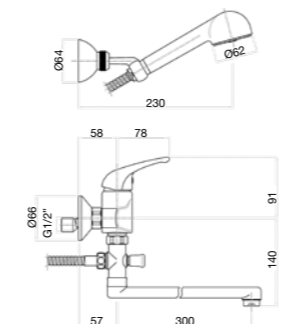


Miscelatore lavello a muro, canna diritta cm 30, con deviatore e duplex.

Wall sink mixer, 30 cm straight spout, diverter and shower set.

Mitigeur évier mural, bec droit cm 30 avec inverseur et garniture.

Смеситель для ванны, настенный монтаж, прямой излив 30 см. с душевым гарнитуром.



Finitura / finishing / finition / Покрытие

CR

27,1 Kg  
box pcs. 10

Ø 35 mm s/d  
35 CAIO 21

14 CR 0368 01

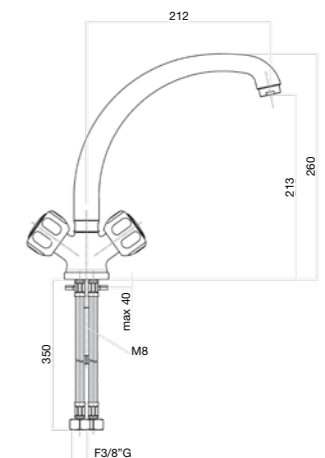


Monoforo lavello, canna gonfiata, flex cm 35 3/8"F.

One hole sink mixer, high spout, flex cm 35 3/8"F.

Mélangeur monotrou évier, bec gonflé, flexibles cm 35 3/8"F.

Смеситель для мойки, высокий излив, гибкая подводка 35 см 3/8"F.



Finitura / finishing / finition / Покрытие

CR

1/2 14 CR 0368 02

17,75 Kg  
box pcs. 15

Vitone ceramico, 1/4 di giro  
1/4 turn ceramic head work

14 CR 0361 01



Monoforo lavello, canna gonfiata, flex cm 35 3/8"F.

One hole sink mixer, high spout, flex cm 35 3/8"F.

Mélangeur monotrou évier, bec gonflé, flexibles cm 35 3/8"F.

Смеситель для мойки, высокий излив, гибкая подводка 35 см 3/8"F.

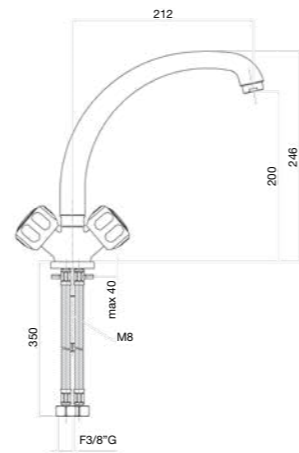
Finitura / finishing / finition / Покрытие

CR

1/2 14 CR 0361 02

25,9 Kg  
box pcs. 10

Vitone ceramico, 1/4 di giro  
1/4 turn ceramic head work



Astro

14 CR 0221



Gruppo lavello a muro, canna J cm 13.

Wall sink mixer, 13 cm J-spout.

Mélangeur évier mural, bec J cm 13.

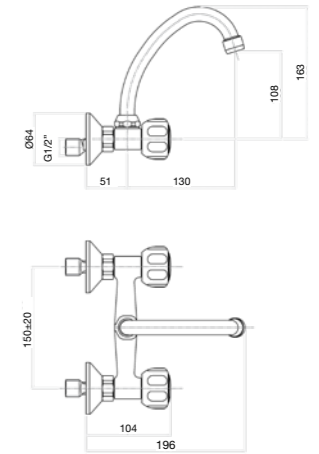
Смеситель для мойки, настенный монтаж J-излив 13 см.

Finitura / finishing / finition / Покрытие

CR

22,5 Kg  
box pcs. 20

Vitone ceramico, 1/4 di giro  
1/4 turn ceramic head work



Astro

14 CR 0216



Gruppo lavello a muro, canna U cm 20.

Wall sink mixer, 20 cm U-spout.

Mélangeur évier mural, bec U cm 20

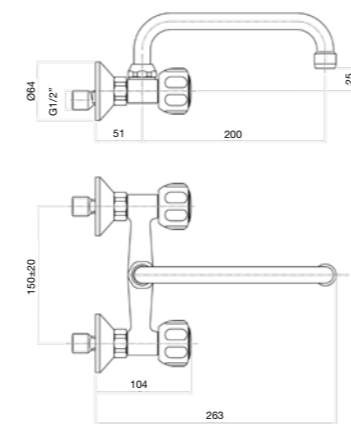
Смеситель для мойки, настенный монтаж U-излив.

Finitura / finishing / finition / Покрытие

CR

15,4 Kg  
box pcs. 10

Vitone ceramico, 1/4 di giro  
1/4 turn ceramic head work



14 CR 0110



Gruppo lavello a muro, canna S, attacco lavatrice.

Wall sink mixer, S-spout, washing machine connection.

Mélangeur évier mural, bec S, connection pour machine à laver.

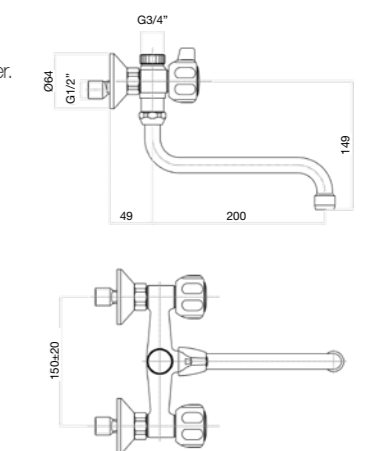
Смеситель для мойки, настенный монтаж S-излив, подключение стиральной машины.

Finitura / finishing / finition / Покрытие

CR

11,9 Kg  
box pcs. 10

Vitone ceramico, 1/4 di giro  
1/4 turn ceramic head work



14 CR 0108



Gruppo lavello a muro, canna S.

Wall sink mixer, S-spout.

Mélangeur évier mural, bec S.

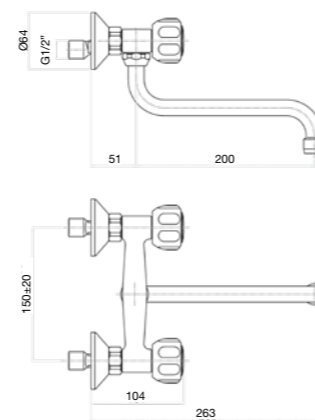
Смеситель для мойки, настенный монтаж S-излив.

Finitura / finishing / finition / Покрытие

CR

17,18 Kg  
box pcs. 5

Vitone ceramico, 1/4 di giro  
1/4 turn ceramic head work



14 CR 0330



Rubinetto a colonna 1/2", canna J cm 20.

1/2" sink pillar tap, 20 cm J-spout.

Robinet d'évier 1/2", bec J cm 20.

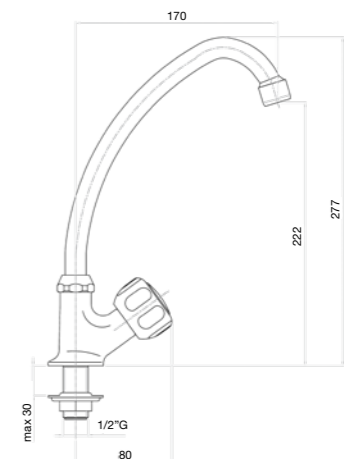
Кран хозяйственный, подсоединение 1/2".

Finitura / finishing / finition / Покрытие

CR

10,25 Kg  
box pcs. 15

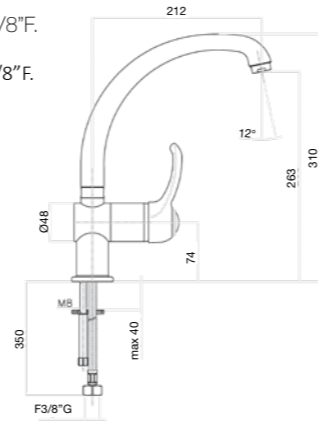
Vitone ceramico, 1/4 di giro  
1/4 turn ceramic head work



47 CR 5462 01



Monoforo livello corpo orizzontale, canna gonfiata, flex cm 35 3/8" F.  
Horizontal sink mixer, heavy spout, flex cm 35 3/8" F.  
Mitigeur monotrou évier horizontal, bec gonflé, flexibles cm 35 3/8" F.  
Смеситель для мойки на 1 отверстие, гибкая подводка 35 см 3/8" F.



Finitura / finishing / finition / Покрытие

CR

1/2 47 CR 5462 02

20,2 Kg  
box pcs. 10

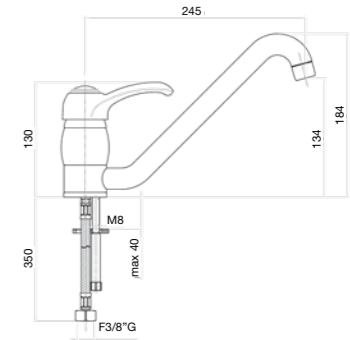
Ø 42 mm s/d  
35 CA10 31

Jafar

47 CR 5413 01



Monoforo livello canna tubo, flex cm 35 3/8" F.  
One hole sink mixer tube spout, flex cm 35 3/8" F.  
Mitigeur monotrou évier, bec tube, flexibles cm 35 3/8" F.  
Смеситель для мойки на 1 отверстие, гибкая подводка 35 см 3/8" F.



Finitura / finishing / finition / Покрытие

CR

OO

RR / ZZ

OO

1/2 47 CR 5413 02

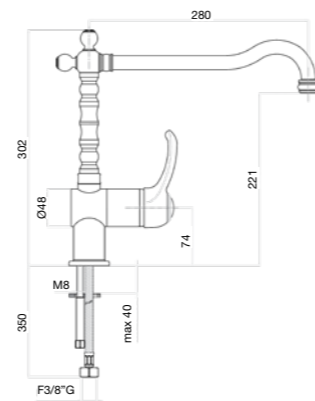
15,7 Kg  
box pcs. 10

Ø 42 mm s/d  
35 CA10 31

47 CR 5415 01



Monoforo livello orizzontale, canna antica lunga flex cm 35 3/8" F.  
Horizontal sink mixer with long old style spout, flex cm 35 3/8" F.  
Mitigeur évier horizontal, bec rétro long, flexibles cm 35 3/8" F.  
Смеситель для мойки на 1 отверстие, гибкая подводка 35 см 3/8" F.



Finitura / finishing / finition / Покрытие

CR

RR / ZZ

OO

1/2 47 CR 5415 02

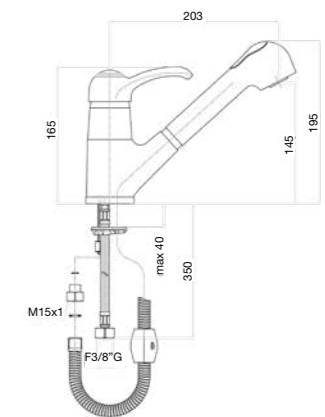
12,75 Kg  
box pcs. 5

Ø 42 mm s/d  
35 CA10 31

47 CR 4010 01



Monoforo livello, doccetta estraibile, flex cm 35 3/8" F.  
One hole sink mixer, pull-out shower, flex cm 35 3/8" F.  
Mitigeur monotrou évier, douchette extractible, flexibles cm 35 3/8" F.  
Смеситель для мойки на 1 отверстие, выдвижной душ, гибкая подводка 35 см 3/8" F.



Finitura / finishing / finition / Покрытие

CR

OO

RR / ZZ

OO

1/2 47 CR 4010 02

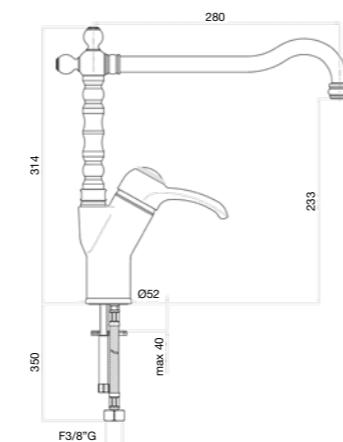
26,7 Kg  
box pcs. 10

Ø 42 mm s/d  
35 CA10 31

47 CR 4327 01



Monoforo livello leva laterale, canna antica lunga, flex cm 35 3/8" F.  
One hole sink mixer, side lever, long old style spout, flex cm 35 3/8" F.  
Mitigeur évier, manette latérale, bec rétro long, flexibles cm 35 3/8" F.  
Смеситель для мойки на 1 отверстие, гибкая подводка 35 см 3/8" F.



Finitura / finishing / finition / Покрытие

CR

RR / ZZ

OO

1/2 47 CR 4327 02

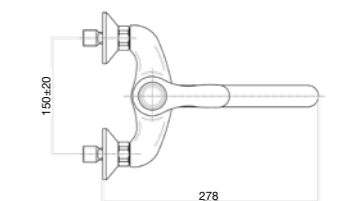
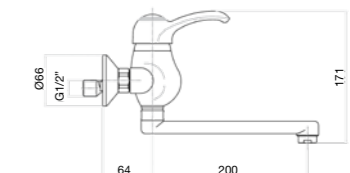
15 Kg  
box pcs. 5

Ø 42 mm c/d  
35 CA10 30

47 CR 5420



Miscelatore livello a muro, canna diritta cm 20.  
Wall sink mixer 20 cm straight spout.  
Mitigeur évier mural, bec droit cm 20.  
Смеситель настенный для мойки.



Finitura / finishing / finition / Покрытие

CR

OO

RR / ZZ

OO

20,1 Kg  
box pcs. 10

Ø 42 mm s/d  
35 CA10 31

02 CR 0641 01

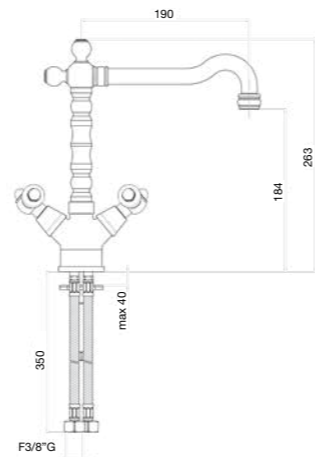
Coloniale

Monoforo lavello, canna antica, tubi flex cm 35 3/8"F.

One hole sink mixer, old style spout, flex cm 35 3/8"F.

Mélangeur monotrou évier, bec rétro, flexibles cm 35 3/8"F.

Смеситель для мойки на 1 отверстие, гибкая подводка 35 см 3/8"F.



Finitura / finishing / finition / Покрытие

CR  
OO  
RR / ZZ  
OO

Vitone ceramico, 1/4 di giro  
1/4 turn ceramic head work

10,7 Kg  
box pcs. 5

10,7 Kg  
box pcs. 5

02 CR 0643

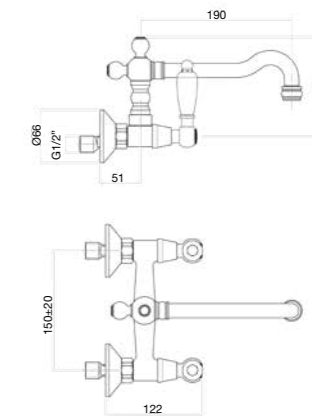
Coloniale

Gruppo lavello a muro, canna antica.

Wall sink mixer, old style spout.

Mélangeur évier mural, bec rétro.

Смеситель настенный для мойки.



Finitura / finishing / finition / Покрытие

CR  
OO  
RR / ZZ  
OO

Vitone ceramico, 1/4 di giro  
1/4 turn ceramic head work

14,7 Kg  
box pcs. 5

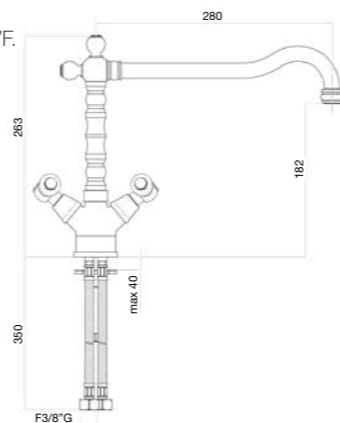
02 CR 0644 01

Monoforo lavello, canna antica lunga, tubi flex cm 35 3/8"F.

One hole sink mixer, long old style spout, flex cm 35 3/8"F.

Mélangeur monotrou évier, bec rétro long, flexibles cm 35 3/8"F.

Смеситель для мойки на 1 отверстие, гибкая подводка 35 см 3/8"F.



Finitura / finishing / finition / Покрытие

CR  
OO  
RR / ZZ  
OO

Vitone ceramico, 1/4 di giro  
1/4 turn ceramic head work

12 Kg  
box pcs. 5

12 Kg  
box pcs. 5

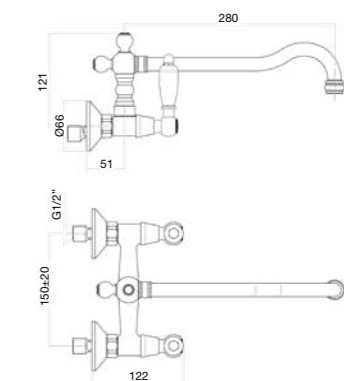
02 CR 0645

Gruppo lavello a muro, canna antica lunga.

Wall sink mixer, long old style spout.

Mélangeur évier mural, bec rétro long.

Смеситель настенный для мойки.



Finitura / finishing / finition / Покрытие

CR  
OO  
RR / ZZ  
OO

Vitone ceramico, 1/4 di giro  
1/4 turn ceramic head work

15,75 Kg  
box pcs. 5

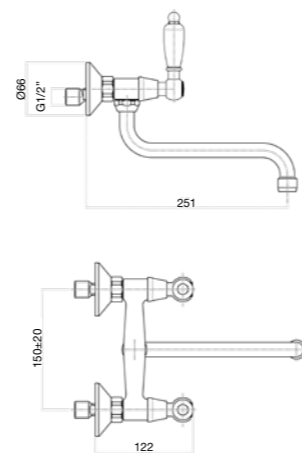
02 CR 0642

Gruppo lavello a muro, canna tubo S cm 20.

Wall sink mixer, 20 cm tube S-spout.

Mélangeur évier mural, bec tube S cm 20.

Смеситель настенный для мойки.



Finitura / finishing / finition / Покрытие

CR  
OO  
RR / ZZ  
OO

Vitone ceramico, 1/4 di giro  
1/4 turn ceramic head work

9,7 Kg  
box pcs. 5

26 CR 0363 01

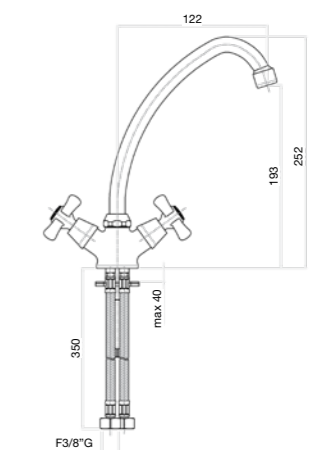
Margot

Monoforo lavello, tubi flex cm 35 3/8"F.

One hole sink mixer, flex cm 35 3/8"F.

Mélangeur monotrou évier, flexibles cm 35 3/8"F.

Смеситель для мойки на 1 отверстие, гибкая подводка 35 см 3/8"F.



Finitura / finishing / finition / Покрытие

CR  
OO  
RR / ZZ  
OO

Vitone ceramico, 1/4 di giro  
1/4 turn ceramic head work

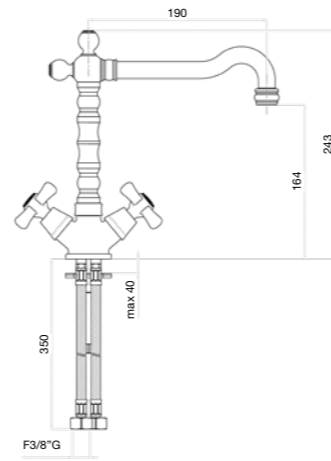
26,7 Kg  
box pcs. 20

26,7 Kg  
box pcs. 20

26 CR 0641 01



Monoforo lavello, tubi flex cm 35 3/8" F.  
 One hole sink mixer, flex cm 35 3/8" F.  
 Mélangeur monotrou évier, flexibles cm 35 3/8" F.  
 Смеситель для мойки на 1 отверстие, гибкая подводка 35 см 3/8" F.



Vitone ceramico, 1/4 di giro  
 1/4 turn ceramic head work

Finitura / finishing / finition / Покрытие

CR  
 CO  
 RR / ZZ  
 OO

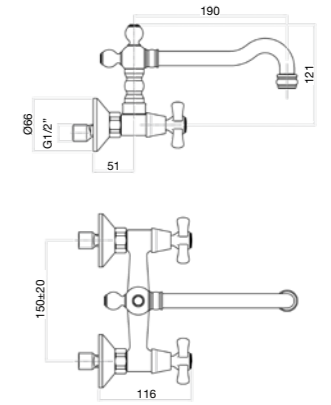
1/2 26 CR 0641 02

17,18 Kg  
 box pcs. 5

26 CR 0643



Gruppo lavello a muro.  
 Wall sink mixer.  
 Mélangeur évier mural.  
 Смеситель настенный для мойки.



Finitura / finishing / finition / Покрытие

CR  
 CO  
 RR / ZZ  
 OO

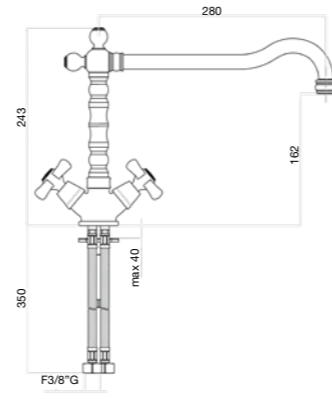
13,4 Kg  
 box pcs. 5

Vitone ceramico, 1/4 di giro  
 1/4 turn ceramic head work

26 CR 0644 01



Monoforo lavello, tubi flex cm 35 3/8" F.  
 One hole sink mixer, flex cm 35 3/8" F.  
 Mélangeur monotrou évier, flexibles cm 35 3/8" F.  
 Смеситель для мойки на 1 отверстие, гибкая подводка 35 см 3/8" F.



Vitone ceramico, 1/4 di giro  
 1/4 turn ceramic head work

Finitura / finishing / finition / Покрытие

CR  
 CO  
 RR / ZZ  
 OO

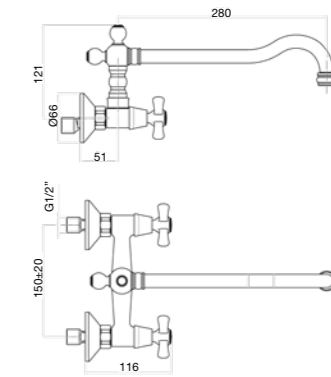
1/2 26 CR 0644 02

12,15 Kg  
 box pcs. 5

26 CR 0645



Gruppo lavello a muro.  
 Wall sink mixer.  
 Mélangeur évier mural.  
 Смеситель настенный для мойки.



Finitura / finishing / finition / Покрытие

CR  
 CO  
 RR / ZZ  
 OO

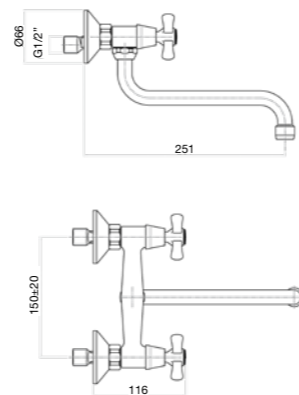
15,6 Kg  
 box pcs. 5

Vitone ceramico, 1/4 di giro  
 1/4 turn ceramic head work

26 CR 0642



Gruppo lavello a muro.  
 Wall sink mixer.  
 Mélangeur évier mural.  
 Смеситель настенный для мойки.



Vitone ceramico, 1/4 di giro  
 1/4 turn ceramic head work

Finitura / finishing / finition / Покрытие

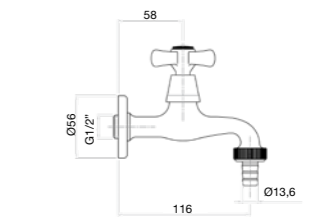
CR  
 CO  
 RR / ZZ  
 OO

8,9 Kg  
 box pcs. 5

26 CR 0302



Rubinetto Trieste con portagomma.  
 Tap with hose connection.  
 Robinet de service 1/2" avec raccord au nez.  
 Кран хозяйственный с резьбой для шланга.



Finitura / finishing / finition / Покрытие

CR  
 CO  
 RR / ZZ  
 OO

16,8 Kg  
 box pcs. 30

Vitone ceramico, 1/4 di giro  
 1/4 turn ceramic head work





# Imperiale

## Retrò program

Finitura / finishing / finition / Покрытие

CR  
Cromo  
Chrome

CO  
Cromo / Oro  
Chrome / Gold

OO  
Oro  
Gold

RR  
Vecchio rame  
Old copper

ZZ  
Vecchio bronzo  
Old bronze

OZ  
Oro opaco spazzolato  
Brushed gold

OR  
Oro rosa  
Rose gold



83 CR 5221 01



Miscelatore lavabo, scarico aut. 1"1/4, tubi flex cm 35 3/8"F.

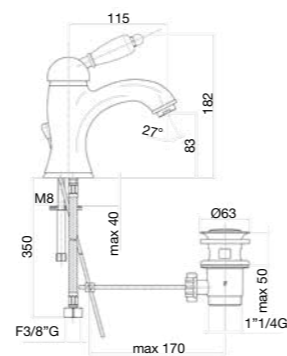
One hole basin mixer, 1"1/4 automatic pop up waste, flex cm 35 3/8"F.

Mitigeur lavabo, vidage automatique 1"1/4, flexibles cm 35 3/8"F.

Смеситель для умывальника, авт.донный клапан 1"1/4, гибкая подводка 35 см 3/8" F.

Finitura / finishing / finition / Покрытие

- CR
- CO
- RR / ZZ
- OO
- OZ / OR



1/2 83 CR 5221 02

23 kg box pcs. 10

83 CR 5321 01



Miscelatore bidet, scarico aut. 1"1/4, tubi flex cm 35 3/8"F.

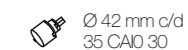
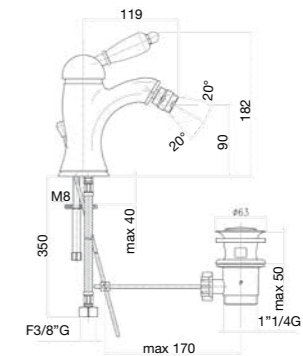
One hole bidet mixer, 1"1/4 automatic pop up waste, flex cm 35 3/8"F.

Mitigeur bidet, vidage automatique 1"1/4, flexibles cm 35 3/8"F.

Смеситель для биде, авт.донный клапан 1"1/4, гибкая подводка 35 см 3/8" F.

Finitura / finishing / finition / Покрытие

- CR
- CO
- RR / ZZ
- OO
- OZ / OR



1/2 83 CR 5321 02

21,6 kg box pcs. 10

83 CR 2245 01



Miscelatore lavabo canna antica, scarico aut. 1"1/4, tubi flex cm 35 3/8"F.

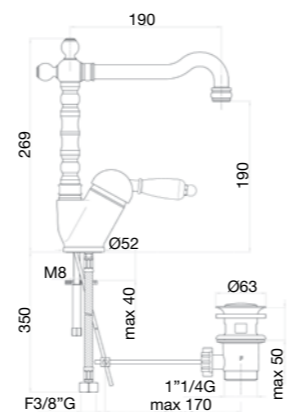
One hole basin mixer, old style spout, 1"1/4 automatic pop up waste, flex cm 35 3/8"F.

Mitigeur lavabo, bec rétro, vidage automatique 1"1/4, flexibles cm 35 3/8"F.

Смеситель для умывальника, авт.донный клапан 1"1/4, гибкая подводка 35 см 3/8" F.

Finitura / finishing / finition / Покрытие

- CR
- CO
- RR / ZZ
- OO
- OZ / OR



1/2 83 CR 2245 02

18 kg box pcs. 10

83 CR 5314 01



Miscelatore bidet, scarico aut. 1"1/4, tubi flex cm 35 3/8"F.

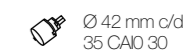
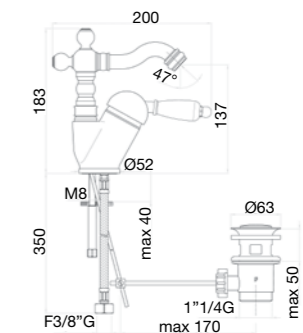
One hole bidet mixer, 1"1/4 automatic pop up waste, flex cm 35 3/8"F.

Mitigeur bidet, vidage automatique 1"1/4, flexibles cm 35 3/8"F.

Смеситель для биде, авт.донный клапан 1"1/4, гибкая подводка 35 см 3/8" F.

Finitura / finishing / finition / Покрытие

- CR
- CO
- RR / ZZ
- OO
- OZ / OR



1/2 83 CR 5314 02

14 kg box pcs. 10

83 CR 5225 01



Miscelatore lavabo, canna antica, testa cieca, tubi flex cm 35 3/8"F.

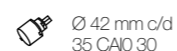
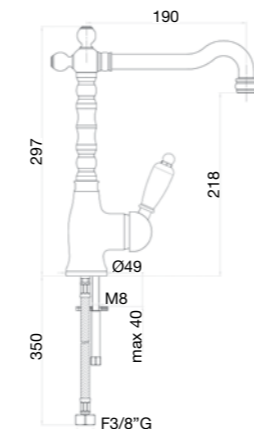
One hole basin mixer, old style spout, without pop up waste, flex cm 35 3/8"F.

Mitigeur lavabo, bec rétro, sans vidage, flexibles cm 35 3/8"F.

Смеситель для умывальника, без донного клапана, гибкая подводка 35 см 3/8" F.

Finitura / finishing / finition / Покрытие

- CR
- CO
- RR / ZZ
- OO
- OZ / OR



1/2 83 CR 5225 02

17 kg box pcs. 10

83 CR 5104



Miscelatore vasca con duplex, doccia ceramica bianca.

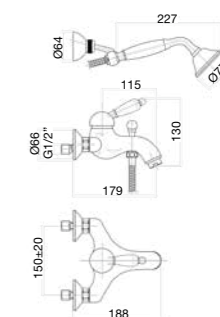
Bath mixer with shower set, white ceramic shower.

Mitigeur bain douche avec garniture, douche avec poignée en céramique.

Смеситель для ванны, душевой набор.

Finitura / finishing / finition / Покрытие

- CR
- CO
- RR / ZZ
- OO
- OZ / OR



83 CR 5101  
Miscelatore vasca senza duplex.  
Bath mixer without shower set.  
Mitigeur bain douche sans garniture.  
Смеситель для ванны без душевого гарнитура.

Finitura / finishing / finition / Покрытие

- CR
- CO
- RR / ZZ
- OO
- OZ / OR



29,8 kg box pcs. 10

83 CR 5105

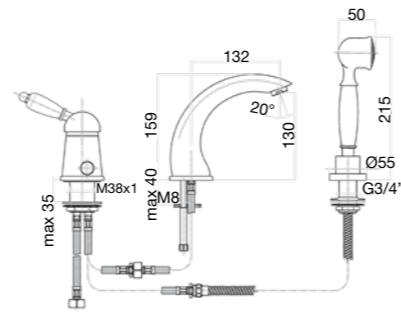


Miscelatore bordo vasca 3 fori con doccia retro.  
 3-hole bath mixer with old style shower.  
 Mitigeur bain douche à 3 trous avec douche rétro.  
 Смеситель наобортный для ванны на 3 отверстия.

Finitura / finishing / finition / Покрытие

CR  
 OO  
 RR / ZZ  
 OO  
 OZ / OR

22,45 kg  
 box pcs. 5



Ø 42 mm s/d  
 35 CA10 31

83 CR 5134

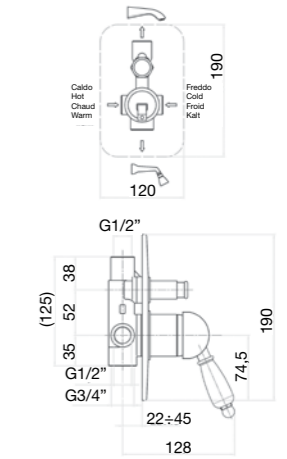


Miscelatore doccia incasso con deviatore, 2 uscite.  
 2-way built-in shower mixer with diverter.  
 Mitigeur douche à encastrer avec inverseur, deux sorties.  
 Смеситель для душа, скрытый монтаж, авт.переключатель ванна/душ.

Finitura / finishing / finition / Покрытие

CR  
 OO  
 RR / ZZ  
 OO  
 OZ / OR

15,1 kg  
 box pcs. 10



Ø 42 mm s/d  
 35 CA10 31

83 CR 5127

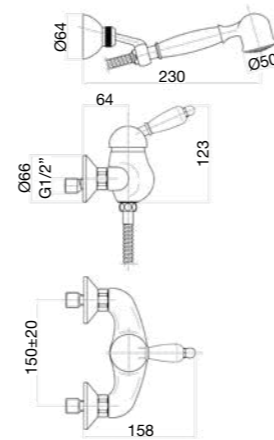


Miscelatore doccia esterno con duplex, doccia retro.  
 External shower mixer with shower set, old style shower.  
 Mitigeur douche extérieur avec garniture, douche rétro.  
 Смеситель для душа, внешний монтаж, душевой набор.

Finitura / finishing / finition / Покрытие

CR  
 OO  
 RR / ZZ  
 OO  
 OZ / OR

27,7 kg  
 box pcs. 10



Ø 42 mm c/d  
 35 CA10 30

83 CR 5130

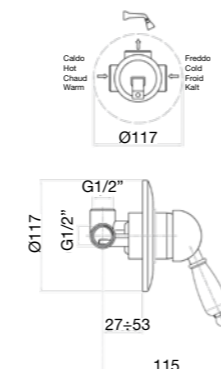


Miscelatore doccia incasso.  
 Built-in shower mixer.  
 Mitigeur douche à encastrer.  
 Смеситель для душа, скрытый монтаж.

Finitura / finishing / finition / Покрытие

CR  
 OO  
 RR / ZZ  
 OO  
 OZ / OR

9,4 kg  
 box pcs. 10



Ø 42 mm s/d  
 35 CA10 31

# Jafar

## Retrò program

Finitura / finishing / finition / Покрътие

CR  
Cromo  
Chrome

CO  
Cromo / Oro  
Chrome / Gold

OO  
Oro  
Gold

RR  
Vecchio rame  
Old copper

ZZ  
Vecchio bronzo  
Old bronze

OZ  
Oro opaco spazzolato  
Brushed gold

OR  
Oro rosa  
Rose gold



47 CR 5221 01

Miscelatore lavabo, scarico aut. 1"1/4, tubi flex cm 35 3/8"F.

One hole basin mixer, 1"1/4 automatic pop up waste, flex cm 35 3/8"F.

Mitigeur lavabo, vidage automatique 1"1/4, flexibles cm 35 3/8"F.

Смеситель для умывальника, авт.донный клапан 1"1/4, гибкая подводка 35 см 3/8"F.

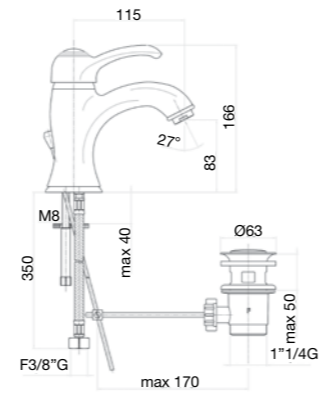


Finitura / finishing / finition / Покрытие

- CR
- CO
- RR / ZZ
- OO
- OZ / OR

1/2 47 CR 5221 02

22,8 kg  
box pcs. 10



Ø 42 mm c/d  
35 CAIO 30

47 CR 5321 01

Miscelatore bidet, scarico aut. 1"1/4, tubi flex cm 35 3/8"F.

One hole bidet mixer, 1"1/4 automatic pop up waste, flex cm 35 3/8"F.

Mitigeur bidet, vidage automatique 1"1/4, flexibles cm 35 3/8"F.

Смеситель для биде, авт.донный клапан 1"1/4, гибкая подводка 35 см 3/8"F.

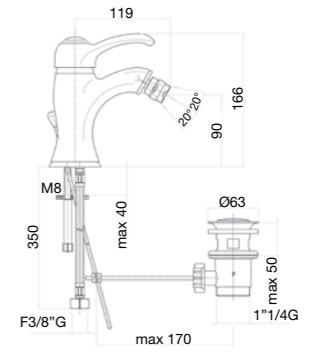


Finitura / finishing / finition / Покрытие

- CR
- CO
- RR / ZZ
- OO
- OZ / OR

1/2 47 CR 5321 02

21,6 kg  
box pcs. 10



Ø 42 mm c/d  
35 CAIO 30

47 CR 2245 01

Miscelatore lavabo canna antica, scarico aut. 1"1/4, tubi flex cm 35 3/8"F.

One hole basin mixer, old style spout, 1"1/4 automatic pop up waste, flex cm 35 3/8"F.

Mitigeur lavabo, bec rétro, vidage automatique 1"1/4, flexibles cm 35. 3/8"F

Смеситель для умывальника, авт.донный клапан 1"1/4, гибкая подводка 35 см 3/8"F.

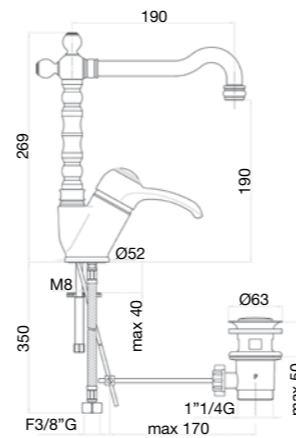


Finitura / finishing / finition / Покрытие

- CR
- CO
- RR / ZZ
- OO
- OZ / OR

1/2 47 CR 2245 02

18 kg  
box pcs. 10



Ø 42 mm c/d  
35 CAIO 30

47 CR 5314 01

Miscelatore bidet, scarico aut. 1"1/4, tubi flex cm 35 3/8"F.

One hole bidet mixer, 1"1/4 automatic pop up waste, flex cm 35 3/8"F.

Mitigeur bidet, vidage automatique 1"1/4, flexibles cm 35 3/8"F.

Смеситель для биде, авт.донный клапан 1"1/4, гибкая подводка 35 см 3/8"F.

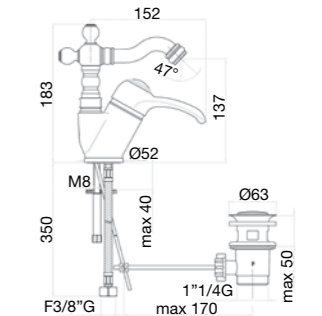


Finitura / finishing / finition / Покрытие

- CR
- CO
- RR / ZZ
- OO
- OZ / OR

1/2 47 CR 5314 02

14 kg  
box pcs. 10



Ø 42 mm c/d  
35 CAIO 30

47 CR 5225 01

Miscelatore lavabo, canna antica, testa cieca, tubi flex cm 35 3/8"F.

One hole basin mixer, old style spout, without pop up waste, flex cm 35 3/8"F.

Mitigeur lavabo, bec rétro, sans vidage, flexibles cm 35 3/8"F.

Смеситель для умывальника, без донного клапана, гибкая подводка 35 см 3/8"F.

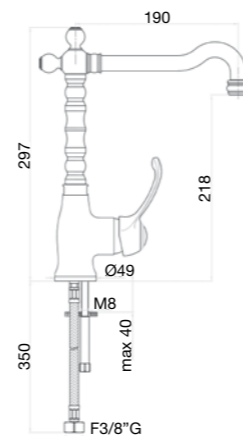


Finitura / finishing / finition / Покрытие

- CR
- CO
- RR / ZZ
- OO
- OZ / OR

1/2 47 CR 5225 02

17 kg  
box pcs. 10



Ø 42 mm c/d  
35 CAIO 30

47 CR 5104

Miscelatore vasca con duplex, doccia ceramica bianca.

Bath mixer with shower set, white ceramic shower.

Mitigeur bain douche avec garniture, douche avec poignée en céramique.

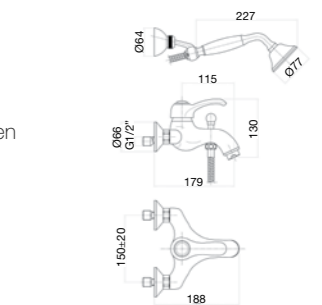
Смеситель для ванны, душевой набор.



Finitura / finishing / finition / Покрытие

- CR
- CO
- RR / ZZ
- OO
- OZ / OR

29,5 kg  
box pcs. 10



47 CR 5101  
Miscelatore vasca senza duplex  
Bath mixer without shower set  
Mitigeur bain douche sans garniture  
Смеситель для ванны без душевого гарнитура

Finitura / finishing / finition / Покрытие

- CR
- CO
- RR / ZZ
- OO
- OZ / OR

Ø 42 mm c/d  
35 CAIO 30

47 CR 5105

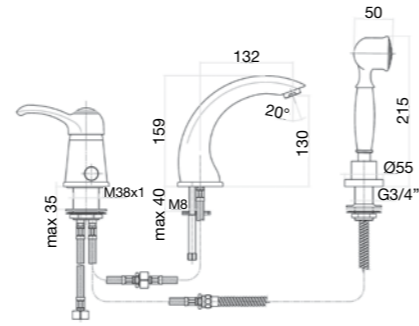


Miscelatore bordo vasca 3 fori con doccia retro.  
 3-hole bath mixer with old style shower.  
 Mitigeur bain douche à 3 trous avec douche rétro.  
 Смеситель наобртный для ванны на 3 отверстия.

Finitura / finishing / finition / Покрытие

- CR
- CO
- RR / ZZ
- OO
- OZ / OR

22,25 kg  
box pcs. 5



Ø 42 mm s/d  
35 CA10 31

47 CR 5134

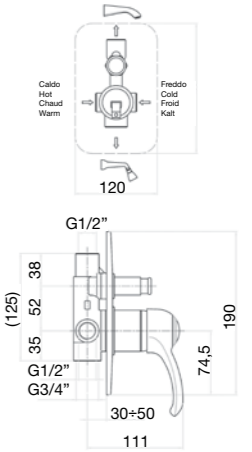


Miscelatore doccia incasso con deviatore, 2 uscite.  
 2-way built-in shower mixer with diverter.  
 Mitigeur douche à encastrer avec inverseur, deux sorties.  
 Смеситель для душа, скрытый монтаж, авт.переключатель ванна/душ.

Finitura / finishing / finition / Покрытие

- CR
- CO
- RR / ZZ
- OO
- OZ / OR

14,7 kg  
box pcs. 10



Ø 42 mm s/d  
35 CA10 31

47 CR 5127

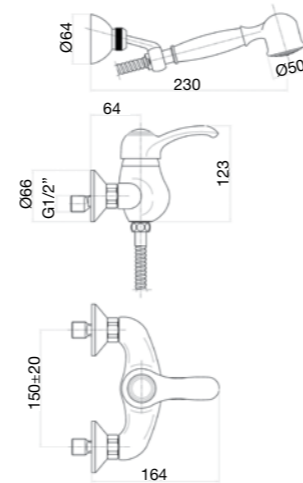


Miscelatore doccia esterno con duplex, doccia retro.  
 External shower mixer with shower set, old style shower.  
 Mitigeur douche extérieur avec garniture, douche rétro.  
 Смеситель для душа, внешний монтаж, душевой набор.

Finitura / finishing / finition / Покрытие

- CR
- CO
- RR / ZZ
- OO
- OZ / OR

27,3 kg  
box pcs. 10



Ø 42 mm c/d  
35 CA10 30

47 CR 5130

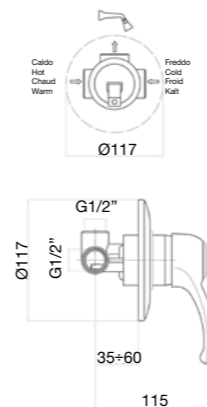


Miscelatore doccia incasso.  
 Built-in shower mixer.  
 Mitigeur douche à encastrer.  
 Смеситель для душа, скрытый монтаж.

Finitura / finishing / finition / Покрытие

- CR
- CO
- RR / ZZ
- OO
- OZ / OR

9 kg  
box pcs. 10



Ø 42 mm s/d  
35 CA10 31

# Coloniale

## Retrò program

Finitura / finishing / finition / Покрытие

CR  
Cromo  
Chrome

CO  
Cromo / Oro  
Chrome / Gold

OO  
Oro  
Gold

RR  
Vecchio rame  
Old copper

ZZ  
Vecchio bronzo  
Old bronze

OZ  
Oro opaco spazzolato  
Brushed gold

OR  
Oro rosa  
Rose gold





02 CR 0623 01



Monoforo lavabo collo alto, scarico automatico 1"1/4, flex cm 35 3/8"F.

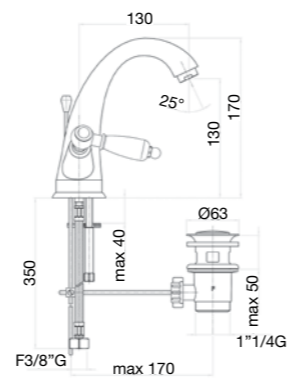
High basin mixer, 1"1/4 automatic pop up waste, flex cm 35 3/8"F.

Mélangeur monotrou lavabo, bec haut, vidage automatique 1"1/4, flexibles cm 35 3/8"F.

Смеситель высокий для умывальника на 1 отверстие, авт. донный клапан 1"1/4, гибкая подводка 35 см 3/8"F.

Finitura / finishing / finition / Покрытие

- CR
- CO
- RR / ZZ
- OO
- OZ / OR



Vitone ceramico, 1/4 di giro  
1/4 turn ceramic head work

13,35 kg  
box pcs. 5

13,35 kg  
box pcs. 5

02 CR 0637



Batteria lavabo, scarico automatico 1"1/4, flex cm 35.

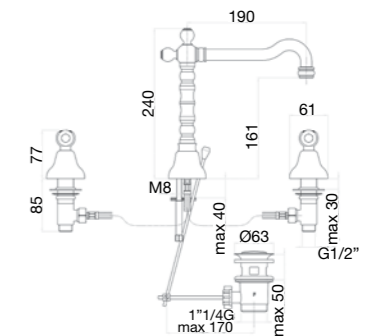
3-hole basin mixer, 1"1/4 automatic pop up waste, flex cm 35.

Mélangeur lavabo à 3 trous, vidage automatique 1"1/4, flexibles cm 35.

Смеситель для умывальника на 3 отверстия, авт. донный клапан 1"1/4, гибкая подводка 35 см.

Finitura / finishing / finition / Покрытие

- CR
- CO
- RR / ZZ
- OO
- OZ / OR



Vitone ceramico, 1/4 di giro  
1/4 turn ceramic head work

14 kg  
box pcs. 5

02 CR 0625 01



Monoforo lavabo, scarico automatico 1"1/4, flex cm 35 3/8"F.

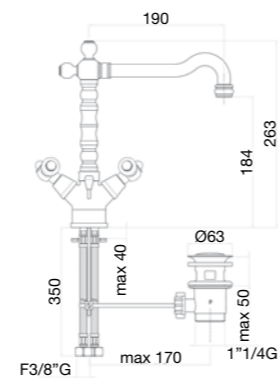
One hole basin mixer, 1"1/4 automatic pop up waste, flex cm 35 3/8"F.

Mélangeur monotrou lavabo, vidage automatique 1"1/4, flexibles cm 35 3/8"F.

Смеситель для умывальника на 1 отверстие, излив "ретро", авт. донный клапан 1"1/4, гибкая подводка 35 см 3/8"F.

Finitura / finishing / finition / Покрытие

- CR
- CO
- RR / ZZ
- OO
- OZ / OR



Vitone ceramico, 1/4 di giro  
1/4 turn ceramic head work

11,5 kg  
box pcs. 5

11,5 kg  
box pcs. 5

02 CR 0636



Batteria lavabo a muro, bocca 210 mm.

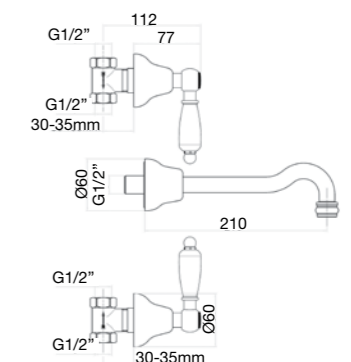
Wall basin mixer, spout 210 mm.

Mélangeur lavabo mural, bec 210 mm.

Смеситель для умывальника на 3 отверстия, скрытый настенный монтаж.

Finitura / finishing / finition / Покрытие

- CR
- CO
- RR / ZZ
- OO
- OZ / OR



Vitone ceramico, 1/4 di giro  
1/4 turn ceramic head work

12 kg  
box pcs. 5

02 CR 0628



Batteria lavabo, scarico automatico 1"1/4.

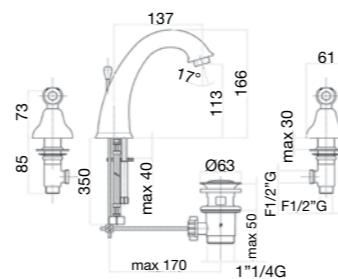
3-hole basin mixer, 1"1/4 automatic pop up waste.

Mélangeur lavabo à 3 trous, vidage automatique 1"1/4.

Смеситель для умывальника на 3 отверстия, авт. донный клапан 1"1/4.

Finitura / finishing / finition / Покрытие

- CR
- CO
- RR / ZZ
- OO
- OZ / OR



Vitone ceramico, 1/4 di giro  
1/4 turn ceramic head work

14,5 kg  
box pcs. 5

02 CR 0632 01



Monoblocco bidet, scarico aut. 1"1/4, tubi flex cm. 35 3/8"F.

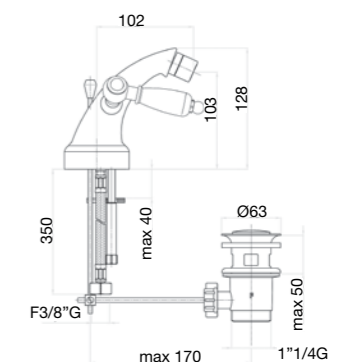
One hole bidet mixer, 1"1/4 automatic pop up waste, flex cm 35 3/8"F.

Mélangeur monotrou bidet, vidage automatique 1"1/4, flexibles cm 35 3/8"F.

Смеситель для биде на 1 отверстие, авт. донный клапан 1"1/4, гибкая подводка 35 см 3/8"F.

Finitura / finishing / finition / Покрытие

- CR
- CO
- RR / ZZ
- OO
- OZ / OR



Vitone ceramico, 1/4 di giro  
1/4 turn ceramic head work

13,3 kg  
box pcs. 5

13,3 kg  
box pcs. 5

02 CR 0635 01



Monoforo bidet, scarico aut. 1"1/4, tubi flex cm 35 3/8"F.

One hole bidet mixer, 1"1/4 automatic pop up waste, flex cm 35 3/8"F.

Mélangeur monotrou bidet, bec rétro, vidage automatique 1"1/4, flexibles cm 35 3/8"F.

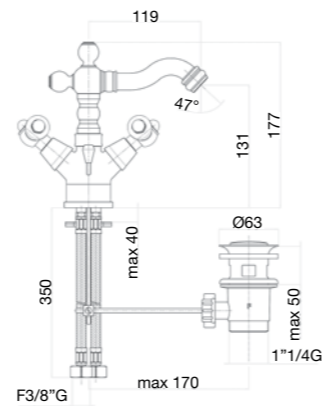
Смеситель для биде на 1 отверстие, авт. донный клапан 1"1/4, гибкая подводка 35 см 3/8"F.

Finitura / finishing / finition / Покрытие

- CR
- OO
- RR / ZZ
- OO
- OZ / OR

1/2 02 CR 0635 02

10,85 kg box pcs. 5



Vitone ceramico, 1/4 di giro  
1/4 turn ceramic head work

02 CR 0600



Gruppo vasca esterno con flex e doccia ceramica bianca.

External bath mixer with flex and white ceramic shower.

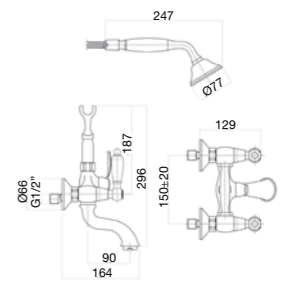
Mélangeur bain douche extérieur avec flexible et douche avec poignée en céramique.

Смеситель для ванны, внешний монтаж, гибкая подводка, ручной душ из керамики.

Finitura / finishing / finition / Покрытие

- CR
- OO
- RR / ZZ
- OO
- OZ / OR

16,7 kg box pcs. 5



02 CR 0610  
Miscelatore vasca con flex e doccia retrò.  
Bath mixer with flex and old style shower.  
Mitigeur bain douche avec flexible et douche retrò.  
Смеситель для ванны, внешний монтаж, гибкая подводка, ручной душ "ретро".

Finitura / finishing / finition / Покрытие

- CR
- OO
- RR / ZZ
- OO
- OZ / OR

Vitone ceramico, 1/4 di giro  
1/4 turn ceramic head work

02 CR 0647



Batteria bidet, scarico aut. 1"1/4.

3-hole bidet mixer, 1"1/4 automatic pop up waste.

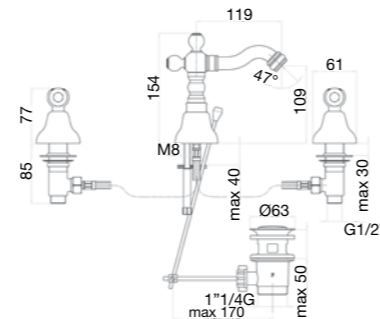
Mélangeur bidet à 3 trous, vidage automatique 1"1/4.

Смеситель для биде на 3 отверстия, авт. донный клапан 1"1/4.

Finitura / finishing / finition / Покрытие

- CR
- OO
- RR / ZZ
- OO
- OZ / OR

12,9 kg box pcs. 5



Vitone ceramico, 1/4 di giro  
1/4 turn ceramic head work

02 CR 0601



Gruppo vasca esterno con duplex, doccia ceramica bianca.

External bath mixer with shower set, white ceramic shower.

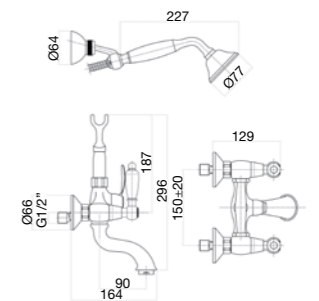
Mélangeur bain douche extérieur avec garniture, douche avec poignée en céramique.

Смеситель для ванны, внешний монтаж, душевой набор, белый душ из керамики.

Finitura / finishing / finition / Покрытие

- CR
- OO
- RR / ZZ
- OO
- OZ / OR

16,2 kg box pcs. 5



02 CR 0611  
Miscelatore vasca con duplex, doccia retrò.  
Bath mixer with shower set, old style shower.  
Mitigeur bain douche avec garniture, douche retrò.  
Смеситель для ванны, внешний монтаж, душевой набор, ручной душ "ретро".

Finitura / finishing / finition / Покрытие

- CR
- OO
- RR / ZZ
- OO
- OZ / OR

Vitone ceramico, 1/4 di giro  
1/4 turn ceramic head work

02 CR 0638



Batteria bidet, scarico aut. 1"1/4, flex 35 cm.

3-hole bidet mixer, 1"1/4 automatic pop up waste, flex 35 cm.

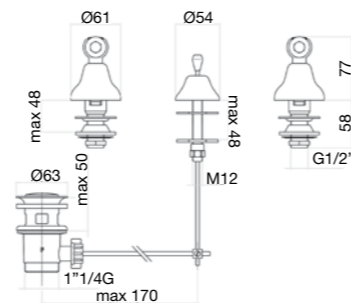
Mélangeur bidet à 3 trous, vidage automatique 1"1/4, flexibles cm 35.

Смеситель для биде на 3 отверстия, авт. донный клапан 1"1/4, гибкая подводка 35 см.

Finitura / finishing / finition / Покрытие

- CR
- OO
- RR / ZZ
- OO
- OZ / OR

9,1 kg box pcs. 5



Vitone ceramico, 1/4 di giro  
1/4 turn ceramic head work

02 CR 0607



Batteria bordo vasca 5 fori.

5-hole bath mixer.

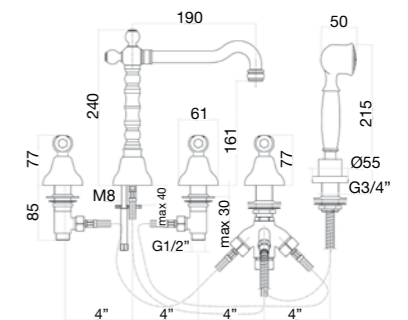
Mélangeur bain douche à 5 trous.

Смеситель наборный для ванны на 5 отверстий.

Finitura / finishing / finition / Покрытие

- CR
- OO
- RR / ZZ
- OO
- OZ / OR

23,25 kg box pcs. 5



Vitone ceramico, 1/4 di giro  
1/4 turn ceramic head work

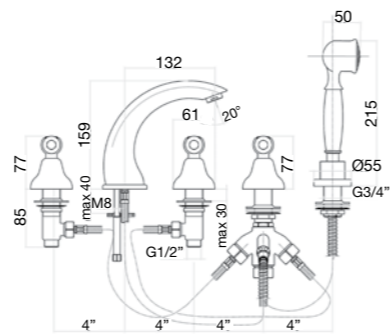
02 CR 0608

Batteria bordo vasca 5 fori.

5-hole bath mixer.

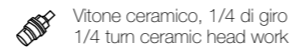
Mélangeur bain douche à 5 trous.

Смеситель наборный для ванны на 5 отверстий.



Finitura / finishing / finition / Покрытие

- CR
- CO
- RR / ZZ
- OO
- OZ / OR



02 CR 0602

Gruppo doccia esterno con duplex, doccia ceramica bianca.

External shower mixer with shower set, white ceramic shower.

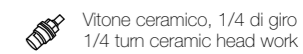
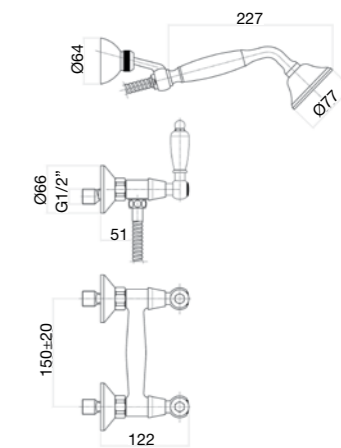
Mélangeur douche extérieur avec garniture, douche céramique.

Смеситель для душа, внешний монтаж, душевой набор, ручной керамический душ.



Finitura / finishing / finition / Покрытие

- CR
- CO
- RR / ZZ
- OO
- OZ / OR



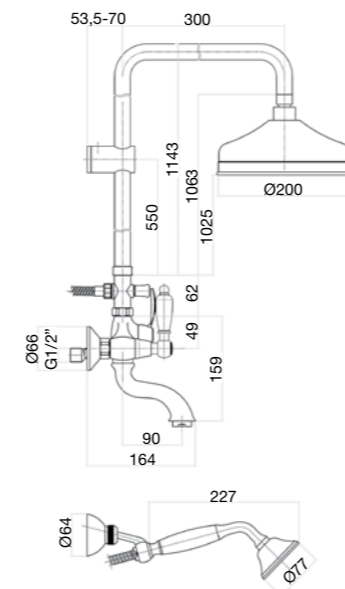
02 CR 0615

Gruppo vasca esterno con deviatore, colonna cm 114, soffione tondo in ottone Ø 200 mm e duplex, doccia ceramica bianca.

External bath mixer with diverter, cm 114 rail, Ø 200 mm round brass shower head, shower set, white ceramic shower.

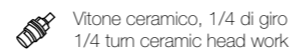
Mélangeur bain douche extérieur avec inverseur, colonne cm 114 et pomme de douche ronde en laiton Ø 200 mm, garniture, douche avec poignée en céramique.

Смес.д/ванны, внешн.монтаж, переключатель, стойка 100см, лейка Ø200мм, душ.набор, белый душ из керамики.



Finitura / finishing / finition / Покрытие

- CR
- CO
- RR / ZZ
- OO
- OZ / OR



02 CR 0620

Gruppo doccia esterno con deviatore, colonna cm 114, soffione tondo in ottone Ø 200 mm, duplex, doccia ceramica bianca.

External shower mixer with diverter, cm 114 rail, Ø 200 mm round brass shower head, shower set, white ceramic shower.

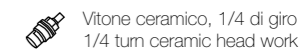
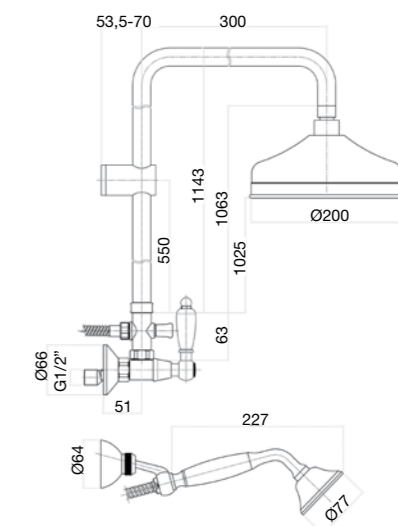
Mélangeur douche extérieur avec inverseur, colonne cm 114, pomme de douche ronde en laiton Ø 200 mm, garniture, douche avec poignée en céramique.

Смес. д/душа, внешн.монтаж,переключ., стойка 114см, лейка Ø200мм, душ.набор,ручн.белый душ из керамики.



Finitura / finishing / finition / Покрытие

- CR
- CO
- RR / ZZ
- OO
- OZ / OR



02 CR 0933

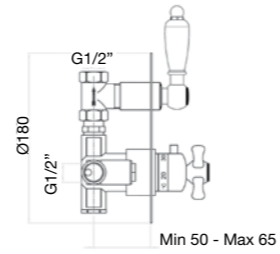


Miscelatore termostatico doccia incasso, un'uscita.

1-way built-in thermostatic shower mixer.

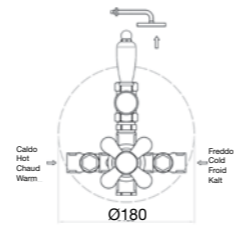
Mitigeur thermostatique douche à encastrer.

Термостат для душа, скрытый монтаж.



Finitura / finishing / finition / Покрытие

- CR
- OO
- RR / ZZ
- OO
- OZ / OR



Vitone ceramico, 1/4 di giro  
1/4 turn ceramic head work

20 kg  
box pcs. 5

02 CR 0934

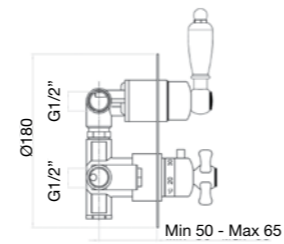


Miscelatore termostatico doccia incasso, due uscite.

2-way built-in thermostatic shower mixer.

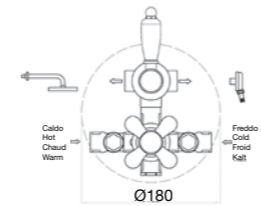
Mitigeur thermostatique douche à encastrer, deux sorties.

Термостат для душа на 2 выхода, скрытый монтаж.



Finitura / finishing / finition / Покрытие

- CR
- OO
- RR / ZZ
- OO
- OZ / OR



Vitone ceramico, 1/4 di giro  
1/4 turn ceramic head work

22 kg  
box pcs. 5

02 CR 0935

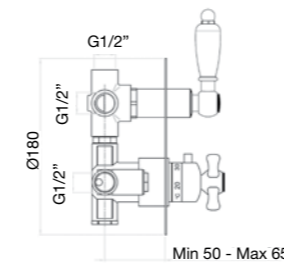


Miscelatore termostatico doccia incasso, tre uscite.

3-way built-in thermostatic shower mixer.

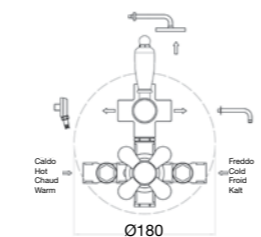
Mitigeur thermostatique douche à encastrer, trois sorties.

Термостат для душа на 3 выхода, скрытый монтаж.



Finitura / finishing / finition / Покрытие

- CR
- OO
- RR / ZZ
- OO
- OZ / OR



Vitone ceramico, 1/4 di giro  
1/4 turn ceramic head work

24 kg  
box pcs. 5



# Margot

## Retrò program

Finitura / finishing / finition / Покрытие

CR  
Cromo  
Chrome

CO  
Cromo / Oro  
Chrome / Gold

OO  
Oro  
Gold

RR  
Vecchio rame  
Old copper

ZZ  
Vecchio bronzo  
Old bronze

OZ  
Oro opaco spazzolato  
Brushed gold

OR  
Oro rosa  
Rose gold





26 CR 0622 01



Monoblocco lavabo, scarico automatico 1"1/4, flex cm 35 3/8"F.

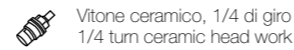
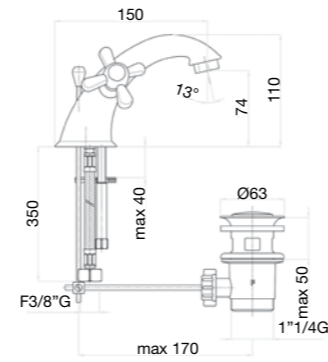
One hole basin mixer, 1"1/4 automatic pop up waste, flex cm 35 3/8"F.

Mélangeur monotrou lavabo, vidage automatique 1"1/4, flexibles cm 35 3/8"F.

Смеситель для умывальника на 1 отверстие, авт. донный клапан 1"1/4, гибкая подводка 35 см 3/8"F.

Finitura / finishing / finition / Покрытие

- CR
- CO
- RR / ZZ
- OO
- OZ / OR



1/2 26 CR 0622 02

11,3 kg box pcs. 5

26 CR 0628



Batteria lavabo, scarico automatico 1"1/4.

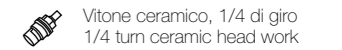
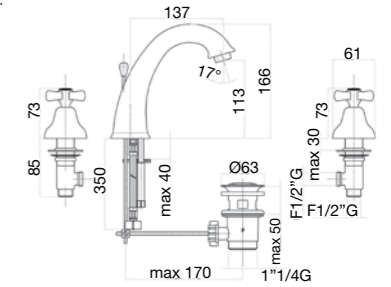
3-hole basin mixer, 1"1/4 automatic pop up waste.

Mélangeur lavabo à 3 trous, vidage automatique 1"1/4.

Смеситель для умывальника на 3 отверстия, авт. донный клапан 1"1/4.

Finitura / finishing / finition / Покрытие

- CR
- CO
- RR / ZZ
- OO
- OZ / OR



14,2 kg box pcs. 5

26 CR 0623 01



Monoforo lavabo collo alto, scarico automatico 1"1/4, flex cm 35 3/8"F.

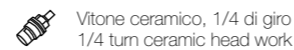
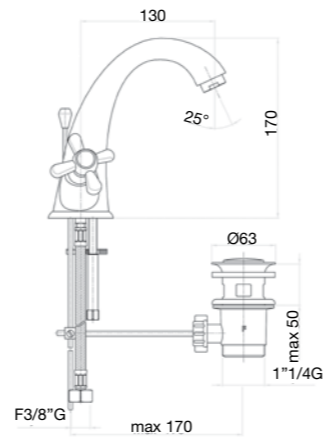
High basin mixer, 1"1/4 automatic pop up waste, flex cm 35 3/8"F.

Mélangeur monotrou lavabo, bec haut, vidage automatique 1"1/4, flexibles cm 35 3/8"F.

Смеситель высокий для умывальника на 1 отверстие, авт. донный клапан 1"1/4, гибкая подводка 35 см 3/8"F.

Finitura / finishing / finition / Покрытие

- CR
- CO
- RR / ZZ
- OO
- OZ / OR



1/2 26 CR 0623 02

13,05 kg box pcs. 5

26 CR 0637



Batteria lavabo, scarico automatico 1"1/4, flex cm 35.

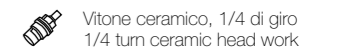
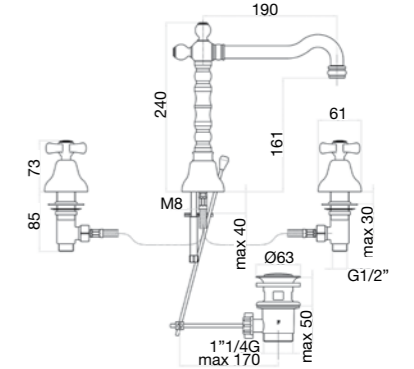
3-hole basin mixer, 1"1/4 automatic pop up waste, flex cm 35.

Mélangeur lavabo à 3 trous, vidage automatique 1"1/4, flexibles cm 35.

Смеситель для умывальника на 3 отверстия, авт. донный клапан 1"1/4, гибкая подводка 35 см.

Finitura / finishing / finition / Покрытие

- CR
- CO
- RR / ZZ
- OO
- OZ / OR



14 kg box pcs. 5

26 CR 0625 01



Monoforo lavabo, scarico automatico 1"1/4, flex cm 35 3/8"F.

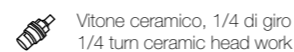
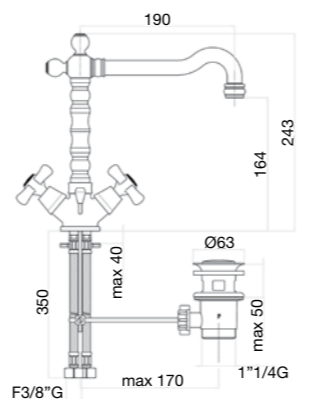
One hole basin mixer, 1"1/4 automatic pop up waste, flex cm 35 3/8"F.

Mélangeur monotrou lavabo, vidage automatique 1"1/4, flexibles cm 35 3/8"F.

Смеситель для умывальника на 1 отверстие, излив "ретро", авт. донный клапан 1"1/4, гибкая подводка 35 см 3/8"F.

Finitura / finishing / finition / Покрытие

- CR
- CO
- RR / ZZ
- OO
- OZ / OR



1/2 26 CR 0625 02

11,2 kg box pcs. 5

26 CR 0636



Batteria lavabo a muro, bocca 210 mm.

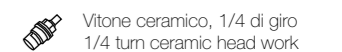
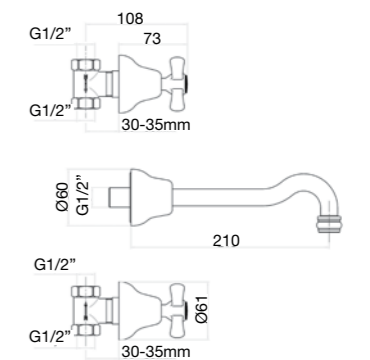
Wall basin mixer, spout 210 mm.

Mélangeur lavabo mural, bec 210 mm.

Смеситель для умывальника на 3 отверстия, скрытый настенный монтаж.

Finitura / finishing / finition / Покрытие

- CR
- CO
- RR / ZZ
- OO
- OZ / OR



11 kg box pcs. 5

26 CR 0632 01



Monoblocco bidet, scarico aut. 1"1/4, tubi flex cm. 35 3/8"F.

One hole bidet mixer, 1"1/4 automatic pop up waste, flex cm 35 3/8"F.

Mélangeur monotrou bidet, vidage automatique 1"1/4, flexibles cm 35 3/8"F.

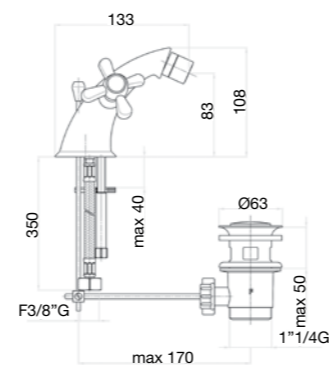
Смеситель для биде на 1 отверстие, авт. донный клапан 1"1/4, гибкая подводка 35 см 3/8"F.

Finitura / finishing / finition / Покрытие

- CR
- CO
- RR / ZZ
- OO
- OZ / OR

1/2 26 CR 0632 02

13 kg box pcs. 5



Vitone ceramico, 1/4 di giro  
1/4 turn ceramic head work

26 CR 0647



Batteria bidet, scarico aut. 1"1/4, flex 35 cm.

3-hole bidet mixer, 1"1/4 automatic pop up waste, flex 35 cm.

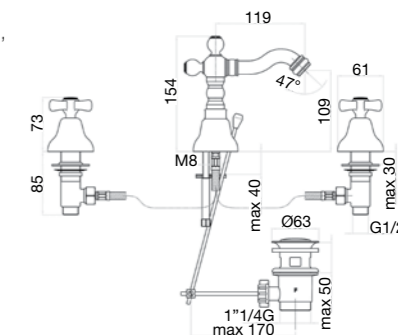
Mélangeur bidet à 3 trous, vidage automatique 1"1/4, flexibles cm 35.

Смеситель для биде на 3 отверстия, авт. донный клапан 1"1/4, гибкая подводка 35 см.

Finitura / finishing / finition / Покрытие

- CR
- CO
- RR / ZZ
- OO
- OZ / OR

14,2 kg box pcs. 5



Vitone ceramico, 1/4 di giro  
1/4 turn ceramic head work

26 CR 0635 01



Monoforo bidet, scarico aut. 1"1/4, tubi flex cm 35 3/8"F.

One hole bidet mixer, 1"1/4 automatic pop up waste, flex cm 35 3/8"F.

Mélangeur monotrou bidet, bec rétro, vidage automatique 1"1/4, flexibles cm 35 3/8"F.

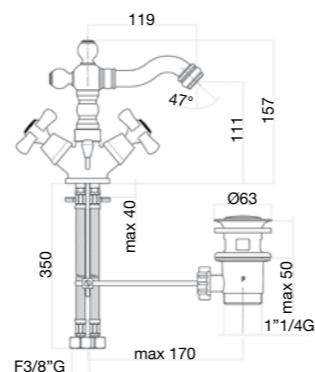
Смеситель для биде на 1 отверстие, авт. донный клапан 1"1/4, гибкая подводка 35 см 3/8"F.

Finitura / finishing / finition / Покрытие

- CR
- CO
- RR / ZZ
- OO
- OZ / OR

1/2 26 CR 0635 02

10,85 kg box pcs. 5



Vitone ceramico, 1/4 di giro  
1/4 turn ceramic head work

26 CR 0600



Gruppo vasca esterno con flex e doccia ceramica bianca.

External bath mixer with flex and white ceramic shower.

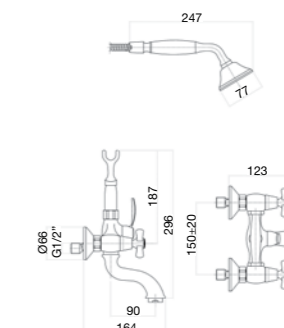
Mélangeur bain douche extérieur avec flexible et douche avec poignée en céramique.

Смеситель для ванны, внешний монтаж, гибкая подводка, ручной душ из керамики.

Finitura / finishing / finition / Покрытие

- CR
- CO
- RR / ZZ
- OO
- OZ / OR

16,05 kg box pcs. 5



26 CR 0610  
Miscelatore vasca con flex e doccia retrò.  
Bath mixer with flex and old style shower.  
Mitigeur bain douche avec flexible et douche rétro.  
Смеситель для ванны, внешний монтаж, гибкая подводка, ручной душ "ретро".

Finitura / finishing / finition / Покрытие

- CR
- CO
- RR / ZZ
- OO
- OZ / OR

Vitone ceramico, 1/4 di giro  
1/4 turn ceramic head work

26 CR 0638



Batteria bidet, scarico aut. 1"1/4.

3-hole bidet mixer, 1"1/4 automatic pop up waste.

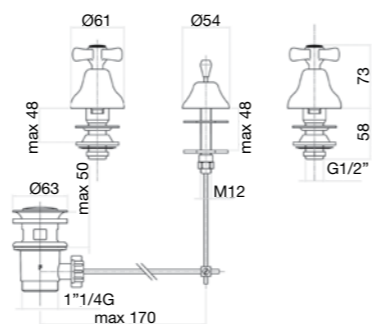
Mélangeur bidet à 3 trous, vidage automatique 1"1/4.

Смеситель для биде на 3 отверстия, авт. донный клапан 1"1/4.

Finitura / finishing / finition / Покрытие

- CR
- CO
- RR / ZZ
- OO
- OZ / OR

8,8 kg box pcs. 5



Vitone ceramico, 1/4 di giro  
1/4 turn ceramic head work

26 CR 0601



Gruppo vasca esterno con duplex, doccia ceramica bianca.

External bath mixer with shower set, white ceramic shower.

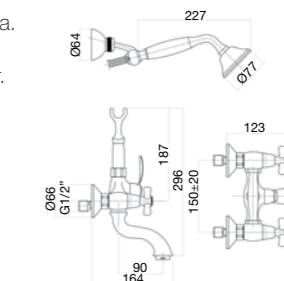
Mélangeur bain douche extérieur avec garniture, douche avec poignée en céramique.

Смеситель для ванны, внешний монтаж, душевой набор, белый душ из керамики.

Finitura / finishing / finition / Покрытие

- CR
- CO
- RR / ZZ
- OO
- OZ / OR

16 kg box pcs. 5



26 CR 0611  
Miscelatore vasca con duplex, doccia retrò.  
Bath mixer with shower set, old style shower.  
Mitigeur bain douche avec garniture, douche rétro.  
Смеситель для ванны, внешний монтаж, душевой набор, ручной душ "ретро".

Finitura / finishing / finition / Покрытие

- CR
- CO
- RR / ZZ
- OO
- OZ / OR

Vitone ceramico, 1/4 di giro  
1/4 turn ceramic head work



26 CR 0607



Batteria bordo vasca 5 fori.

5-hole bath mixer.

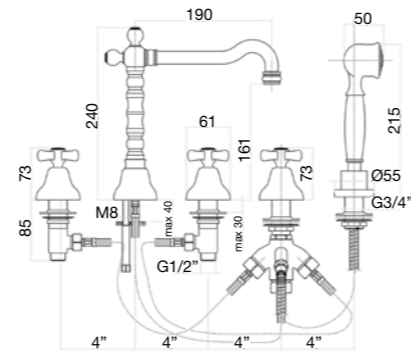
Mélangeur bain douche à 5 trous.

Смеситель наборный для ванны на 5 отверстий.

Finitura / finishing / finition / Покрытие

- CR
- CO
- RR / ZZ
- OO
- OZ / OR

22,8 kg  
box pcs. 5



Vitone ceramico, 1/4 di giro  
1/4 turn ceramic head work

26 CR 0608



Batteria bordo vasca 5 fori.

5-hole bath mixer.

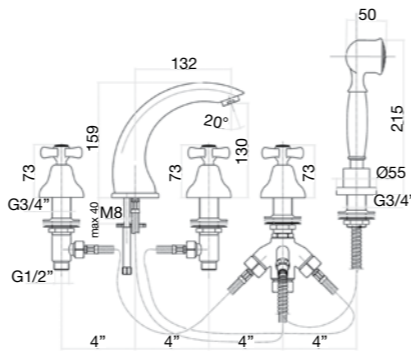
Mélangeur bain douche à 5 trous.

Смеситель наборный для ванны на 5 отверстий.

Finitura / finishing / finition / Покрытие

- CR
- CO
- RR / ZZ
- OO
- OZ / OR

25,95 kg  
box pcs. 5



Vitone ceramico, 1/4 di giro  
1/4 turn ceramic head work

26 CR 0602



Gruppo doccia esterno con duplex, doccia ceramica bianca.

External shower mixer with shower set, white ceramic shower.

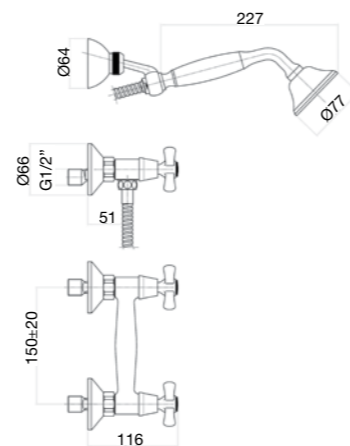
Mélangeur douche extérieur avec garniture, douche céramique.

Смеситель для душа, внешний монтаж, душевой набор, ручной керамический душ.

Finitura / finishing / finition / Покрытие

- CR
- CO
- RR / ZZ
- OO
- OZ / OR

10,75 kg  
box pcs. 5



Vitone ceramico, 1/4 di giro  
1/4 turn ceramic head work

26 CR 0615



Gruppo vasca esterno con deviatore, colonna cm 114, soffione tondo in ottone Ø 200 mm e duplex, doccia ceramica bianca.

External bath mixer with diverter, cm 114 rail, Ø 200 mm round brass shower head, shower set, white ceramic shower.

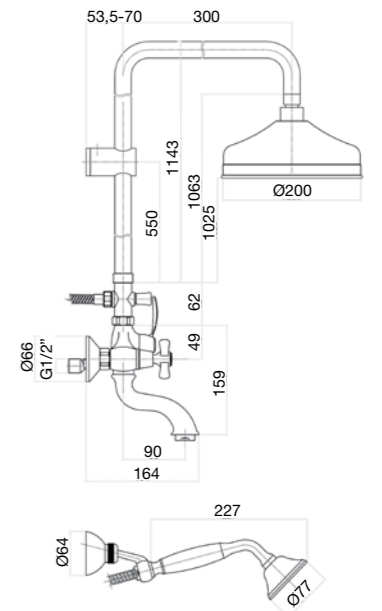
Mélangeur bain douche extérieur avec inverseur, colonne cm 114 et pomme de douche ronde en laiton Ø 200 mm, garniture, douche avec poignée en céramique.

Смес.д/ванны, внешн.монтаж, переключатель, стойка 100см, лейка Ø200мм, душ.набор, белый душ из керамики.

Finitura / finishing / finition / Покрытие

- CR
- CO
- RR / ZZ
- OO
- OZ / OR

6 kg  
box pcs. 1



Vitone ceramico, 1/4 di giro  
1/4 turn ceramic head work

26 CR 0620



Gruppo doccia esterno con deviatore, colonna cm 114, soffione tondo in ottone Ø 200 mm, duplex, doccia ceramica bianca.

External shower mixer with diverter, cm 114 rail, Ø 200 mm round brass shower head, shower set, white ceramic shower.

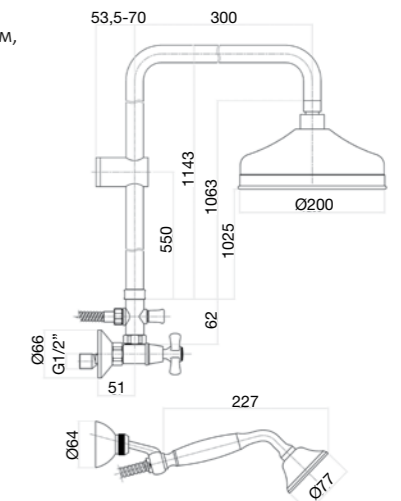
Mélangeur douche extérieur avec inverseur, colonne cm 114, pomme de douche ronde en laiton Ø 200 mm, garniture, douche avec poignée en céramique.

Смес. д/душа, внешн.монтаж, переключ., стойка 114см, лейка Ø200мм, душ.набор, ручн.белый душ из керамики.

Finitura / finishing / finition / Покрытие

- CR
- CO
- RR / ZZ
- OO
- OZ / OR

5,2 kg  
box pcs. 1



Vitone ceramico, 1/4 di giro  
1/4 turn ceramic head work

26 CR 0933



Miscelatore termostatico doccia incasso, un'uscita.

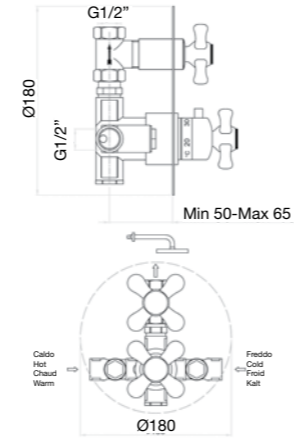
1-way built-in thermostatic shower mixer.

Mitigeur thermostatique douche à encastrer.

Термостат для душа, скрытый монтаж.

Finitura / finishing / finition / Покрытие

- CR
- OO
- RR / ZZ
- OO
- OZ / OR



Vitone ceramico, 1/4 di giro  
1/4 turn ceramic head work

20 kg  
box pcs. 5

26 CR 0934



Miscelatore termostatico doccia incasso, due uscite.

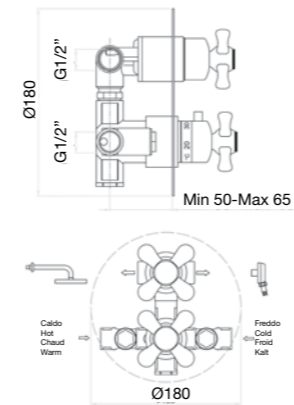
2-way built-in thermostatic shower mixer.

Mitigeur thermostatique douche à encastrer, deux sorties.

Термостат для душа на 2 выхода, скрытый монтаж.

Finitura / finishing / finition / Покрытие

- CR
- OO
- RR / ZZ
- OO
- OZ / OR



Vitone ceramico, 1/4 di giro  
1/4 turn ceramic head work

22 kg  
box pcs. 5

26 CR 0935



Miscelatore termostatico doccia incasso, tre uscite.

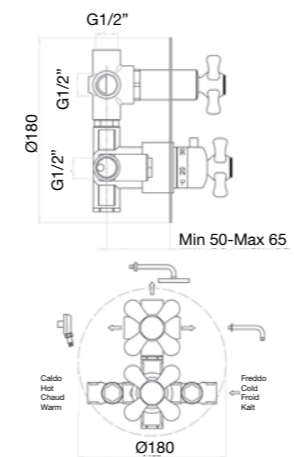
3-way built-in thermostatic shower mixer.

Mitigeur thermostatique douche à encastrer, trois sorties.

Термостат для душа на 3 выхода, скрытый монтаж.

Finitura / finishing / finition / Покрытие

- CR
- OO
- RR / ZZ
- OO
- OZ / OR



Vitone ceramico, 1/4 di giro  
1/4 turn ceramic head work

24 kg  
box pcs. 5

19 CR A010



Porta sapone in vetro.

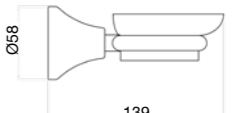
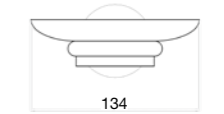
Soap holder in glass.

Porte-savon en verre.

Мыльница стеклянная с держателем.

Finitura / finishing / finition / Покрытие

- CR
- Finiture su richiesta  
Finishings on request



19 CR A011



Porta sapone in ceramica.

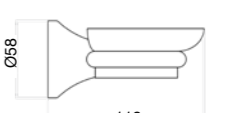
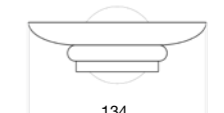
Soap holder in ceramic.

Porte-savon en céramique.

Мыльница керамическая с держателем.

Finitura / finishing / finition / Покрытие

- CR
- Finiture su richiesta  
Finishings on request



19 CR A030



Porta sapone in vetro.

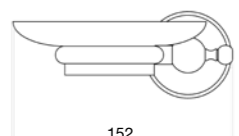
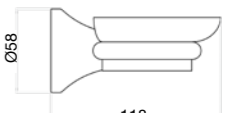
Soap holder in glass.

Porte-savon en verre.

Мыльница стеклянная с держателем.

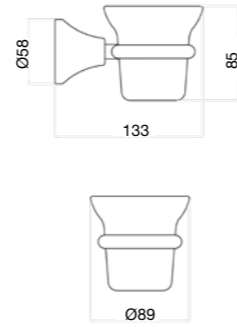
Finitura / finishing / finition / Покрытие

- CR
- Finiture su richiesta  
Finishings on request



19 CR A110

Porta bicchiere in vetro.  
Tumbler holder in glass.  
Porte-verre en verre.  
Стакан стеклянный с держателем.

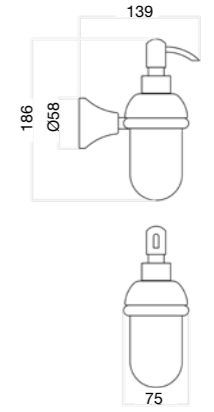


Finitura / finishing / finition / Покрытие

CR  
Finiture su richiesta  
Finishings on request

19 CR A210

Porta sapone liquido in vetro.  
Liquid soap dispenser holder in glass.  
Porte-diffuseur de savon en verre.  
Дозатор жидкого мыла стеклянный с держателем.

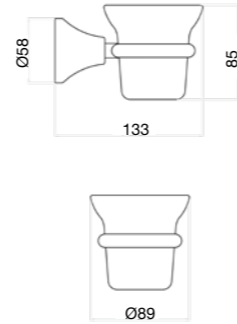


Finitura / finishing / finition / Покрытие

CR  
Finiture su richiesta  
Finishings on request

19 CR A111

Porta bicchiere in ceramica.  
Tumbler holder in ceramic.  
Porte-verre en céramique.  
Стакан керамический с держателем.

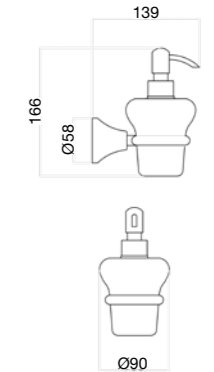


Finitura / finishing / finition / Покрытие

CR  
Finiture su richiesta  
Finishings on request

19 CR A211

Porta sapone liquido in ceramica.  
Liquid soap dispenser holder in ceramic.  
Porte-diffuseur de savon en céramique.  
Дозатор жидкого мыла керамический с держателем.

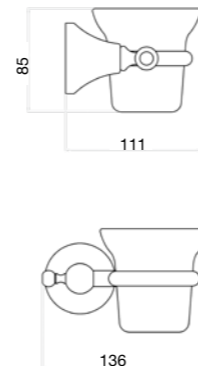


Finitura / finishing / finition / Покрытие

CR  
Finiture su richiesta  
Finishings on request

19 CR A130

Porta bicchiere in vetro.  
Tumbler holder in glass.  
Porte-verre en verre.  
Стакан стеклянный с держателем

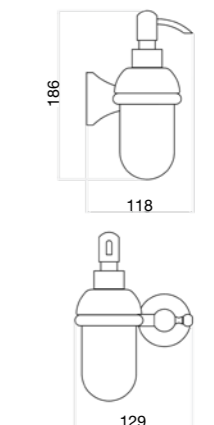


Finitura / finishing / finition / Покрытие

CR  
Finiture su richiesta  
Finishings on request

19 CR A230

Porta sapone liquido in vetro.  
Liquid soap dispenser holder in glass.  
Porte-diffuseur de savon en verre.  
Дозатор жидкого мыла стеклянный с держателем.



Finitura / finishing / finition / Покрытие

CR  
Finiture su richiesta  
Finishings on request

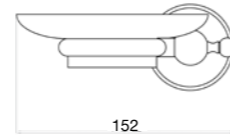
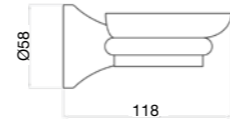
19 CR A031

Porta bicchiere in ceramica.  
Tumbler holder in ceramic.  
Porte-verre en céramique.  
Стакан керамический с держателем.



Finitura / finishing / finition / Покрытие

CR  
Finiture su richiesta  
Finishings on request



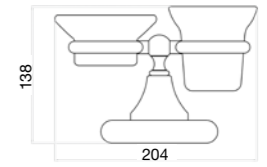
19 CR A040

Porta sapone e bicchiere d'appoggio in vetro.  
Standing soap and tumbler holder in glass.  
Porte-savon et verre à poser en verre.  
Дозатор жидкого мыла и стакан с настольным держателем, стекло.



Finitura / finishing / finition / Покрытие

CR  
Finiture su richiesta  
Finishings on request



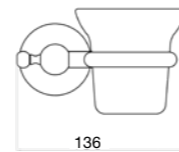
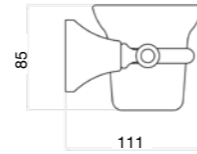
19 CR A131

Porta sapone in ceramica.  
Soap holder in ceramic.  
Porte-savon en céramique.  
Мыльница керамическая с держателем.



Finitura / finishing / finition / Покрытие

CR  
Finiture su richiesta  
Finishings on request



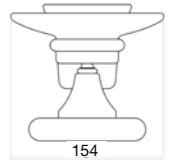
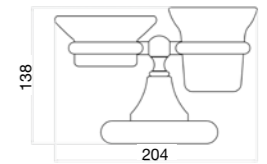
19 CR A041

Porta sapone e bicchiere d'appoggio in ceramica.  
Standing soap and tumbler holder in ceramic.  
Porte-savon et verre à poser en céramique.  
Дозатор для мыла и стакан с настольным держателем, керамика.



Finitura / finishing / finition / Покрытие

CR  
Finiture su richiesta  
Finishings on request



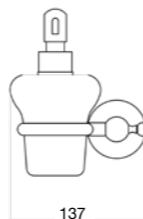
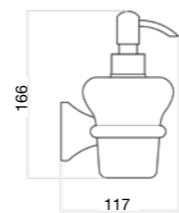
19 CR A231

Porta sapone liquido in ceramica.  
Liquid soap dispenser holder in ceramic.  
Porte-diffuseur de savon en céramique.  
Дозатор жидкого мыла керамический с держателем.



Finitura / finishing / finition / Покрытие

CR  
Finiture su richiesta  
Finishings on request



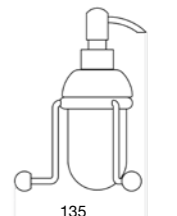
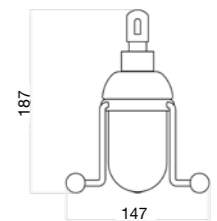
19 CR A240

Porta sapone liquido in vetro treppiede.  
Standing liquid soap dispenser in glass.  
Porte-diffuseur de savon à poser en verre.  
Дозатор жидкого мыла на 3 ножках, стекло.



Finitura / finishing / finition / Покрытие

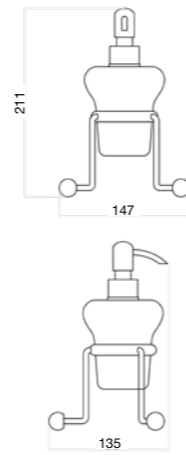
CR  
Finiture su richiesta  
Finishings on request



19 CR A241



Porta sapone liquido in ceramica treppiede.  
 Standing liquid soap dispenser in ceramic.  
 Porte-diffuseur de savon à poser en céramique.  
 Дозатор жидкого мыла на 3 ножках, керамика.



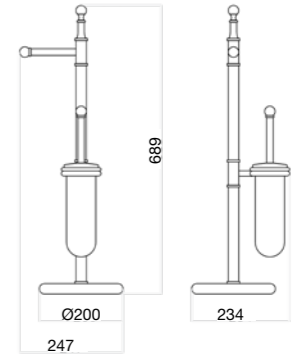
Finitura / finishing / finition / Покрытие

CR  
 Finiture su richiesta  
 Finishings on request

19 CR A710



Plantana con porta rotolo e porta scopino in vetro.  
 Standing toilet roll holder and toilet brush holder in glass.  
 Porte-papier sur pied et porte-balai en verre.  
 Стойка напольная для туалетной бумаги и ерша,  
 стеклянная колба для ерша.



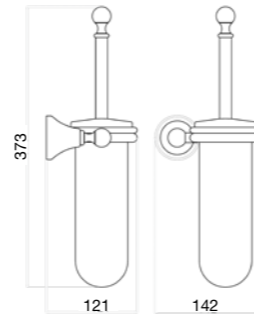
Finitura / finishing / finition / Покрытие

CR  
 Finiture su richiesta  
 Finishings on request

19 CR A310



Porta scopino in vetro.  
 Toilet brush holder in glass.  
 Porte-balai en verre.  
 Туалетный ершик в наборе, настенная  
 модель, стеклянная колба.



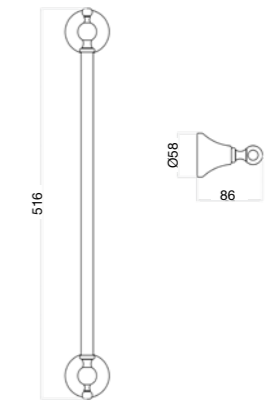
Finitura / finishing / finition / Покрытие

CR  
 Finiture su richiesta  
 Finishings on request

19 CR A410



Porta salvietta 40 cm.  
 Towel rail 40 cm.  
 Porte-serviette 40 cm.  
 Держатель для полотенца 40 см.



Finitura / finishing / finition / Покрытие

CR  
 Finiture su richiesta  
 Finishings on request

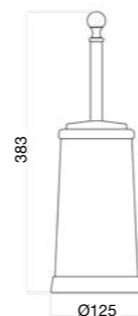
19 CR A420  
 Porta salvietta 60 cm.  
 Tower rail 60 cm.  
 Porte-serviette 60 cm.  
 Держатель для полотенца 60 см.

Finitura / finishing / finition / Покрытие  
 CR

19 CR A300



Porta scopino d'appoggio in ceramica.  
 Standing toilet brush holder in ceramic.  
 Porte-balai à poser en céramique.  
 Туалетный ершик в наборе, напольная  
 модель, керамическая колба.



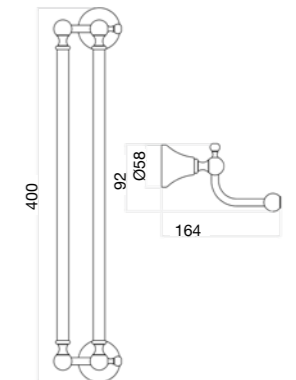
Finitura / finishing / finition / Покрытие

CR  
 Finiture su richiesta  
 Finishings on request

19 CR A430



Porta salviette doppio 40 cm.  
 Double towel rail 40 cm.  
 Porte-serviette double 40 cm.  
 Держатель для полотенца двойной 40 см.



Finitura / finishing / finition / Покрытие

CR  
 Finiture su richiesta  
 Finishings on request

19 CR A440

Porta salviette a snodo.

Swivel towel rail.

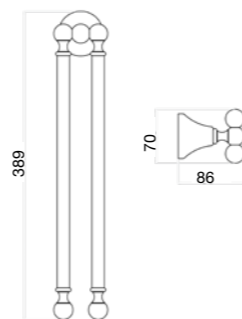
Porte-serviette mobile.

Держатель для полотенец двойной поворотный.



Finitura / finishing / finition / Покрытие

CR  
Finiture su richiesta  
Finishings on request



19 CR A520

Porta rotolo coperto.

Covered toilet roll holder.

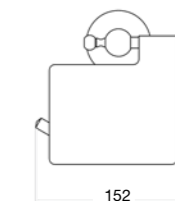
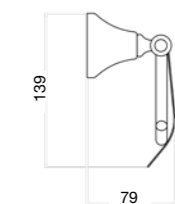
Porte-papier couvert.

Держатель туалетной бумаги с крышкой.



Finitura / finishing / finition / Покрытие

CR  
Finiture su richiesta  
Finishings on request



19 CR A450

Porta salvietta ad anello.

Towel ring.

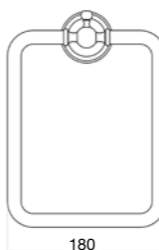
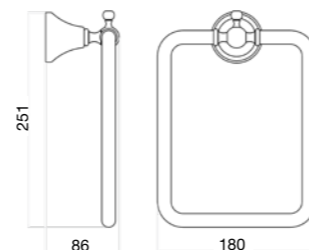
Anneau porte-serviette.

Кольцо для полотенца.



Finitura / finishing / finition / Покрытие

CR  
Finiture su richiesta  
Finishings on request



19 CR A602

Appendino doppio.

Double hook.

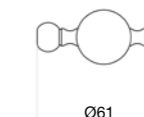
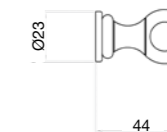
Porte-peignoir double.

Крючок для банного халата двойной.



Finitura / finishing / finition / Покрытие

CR  
Finiture su richiesta  
Finishings on request



19 CR A510

Porta rotolo.

Toilet roll holder.

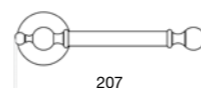
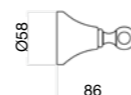
Porte-papier.

Держатель туалетной бумаги.



Finitura / finishing / finition / Покрытие

CR  
Finiture su richiesta  
Finishings on request



19 CR A610

Appendino doppio.

Double hook.

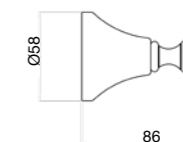
Porte-peignoir double.

Крючок для банного халата двойной.



Finitura / finishing / finition / Покрытие

CR  
Finiture su richiesta  
Finishings on request



# Spazio doccia

Shower space



44 CR 0964

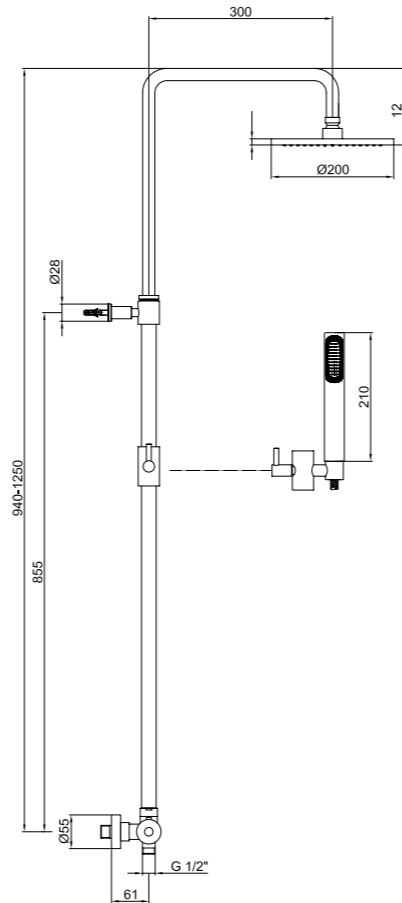
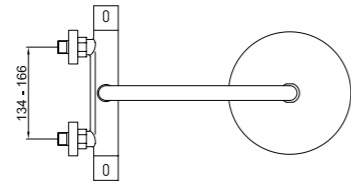


Miscelatore termostatico per doccia esterno, versione completa di colonna telescopica, soffione e doccetta monogetto.

Thermostatic shower mixer with telescopic column, shower head and monospray handshower.

Colonne de douche télescopique thermostatique avec pomme de douche et douchette monojet.

Термостат для душа, внешний монтаж, верхний душ, ручной душ.



Finitura / finishing / finition / Покрытие

CR

10 kg  
box pcs. 1

100 CR 0963

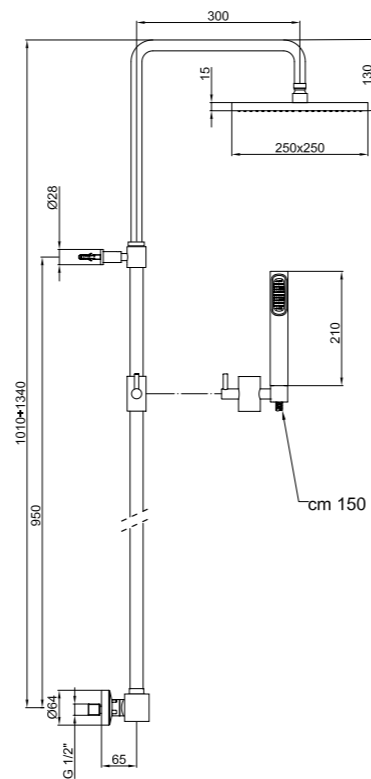
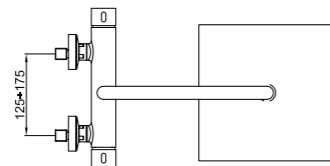


Miscelatore termostatico per doccia esterno, versione completa di colonna telescopica, soffione e doccetta monogetto.

Thermostatic shower mixer with telescopic column, shower head and monospray handshower.

Colonne de douche télescopique thermostatique avec pomme de douche et douchette monojet.

Термостат для душа, внешний монтаж, верхний душ, ручной душ.



Finitura / finishing / finition / Покрытие

CR

9,8 kg  
box pcs. 1

31 CR 0982

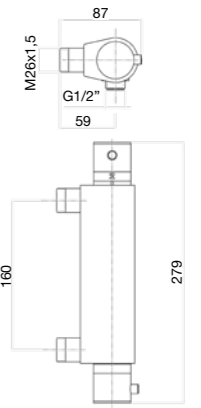


Miscelatore termostatico doccia senza duplex, attacco centrale inferiore M26X1,5, interasse mm 160.

Thermostatic shower mixer mm 160 without shower set, lower central connection M26x1,5.

Mitigeur thermostatique douche sans garniture, entraxe mm 160, connection centrale inférieure 1/2".

Термостат для душа, внешний монтаж 160 мм. без душевого гарнитура, подсоединение 1/2".



Finitura / finishing / finition / Покрытие

CR

21,3 kg  
box pcs. 10

Vitone ceramico, 1/4 di giro  
1/4 turn ceramic head work

31 CR 0956

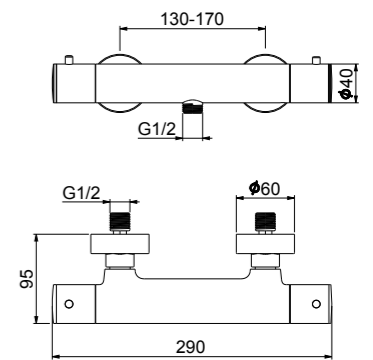


Miscelatore termostatico doccia esterno senza duplex.

Thermostatic shower mixer without shower set.

Mitigeur thermostatique douche sans garniture.

Термостат для душа, без душевого гарнитура.



Finitura / finishing / finition / Покрытие

CR

17 kg  
box pcs. 10

31 CR 0957

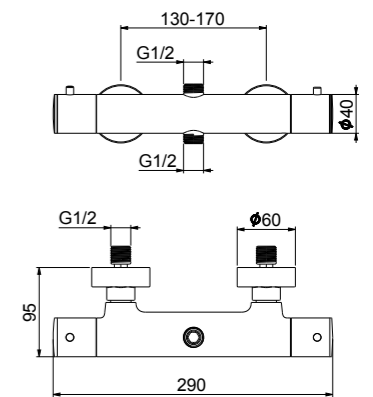


Miscelatore termostatico doccia esterno senza duplex, attacco superiore e inferiore.

Thermostatic shower mixer without shower set, upper and lower connection.

Mitigeur thermostatique douche sans garniture, connection supérieure et inférieure.

Термостат для душа, без душевого гарнитура.



Finitura / finishing / finition / Покрытие

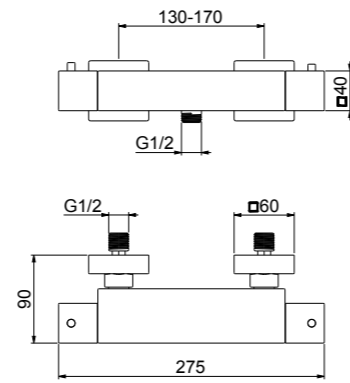
CR

18 kg  
box pcs. 10



31 CR 0958

Miscelatore termostatico doccia esterno senza duplex.  
 Thermostatic shower mixer without shower set.  
 Mitigeur thermostatique douche sans garniture.  
 Термостат для душа, без душевого гарнитура.

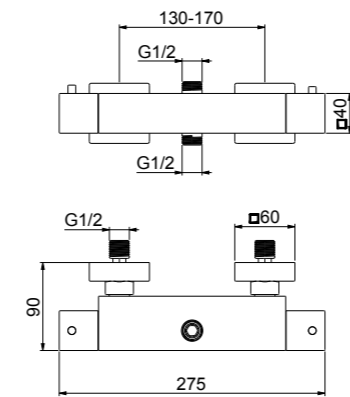


Finitura / finishing / finition / Покрытие  
 CR

22 kg  
 box pcs. 10

31 CR 0959

Miscelatore termostatico doccia esterno senza duplex, attacco superiore e inferiore.  
 Thermostatic shower mixer without shower set, upper and lower connection.  
 Mitigeur thermostatique douche sans garniture, connection supérieure et inférieure.  
 Термостат для душа, без душевого гарнитура.

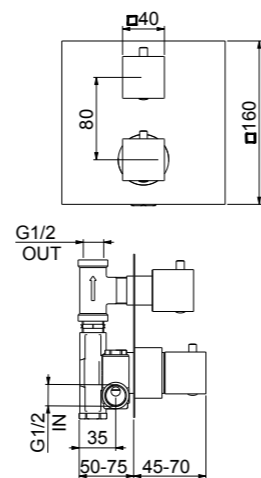


Finitura / finishing / finition / Покрытие  
 CR

22 kg  
 box pcs. 10

31 CR 0912

Miscelatore termostatico doccia incasso.  
 Built-in thermostatic shower mixer.  
 Mitigeur thermostatique douche à encastrer.  
 Термостат для душа, скрытый монтаж.

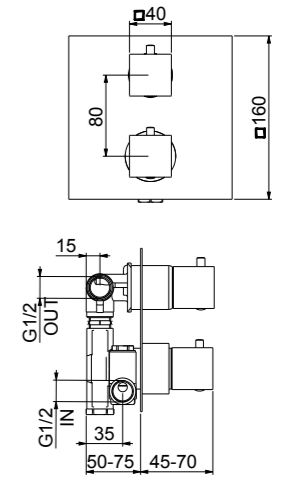


Finitura / finishing / finition / Покрытие  
 CR

20 kg  
 box pcs. 10

31 CR 0913

Miscelatore termostatico doccia incasso due uscite.  
 2-way built-in thermostatic shower mixer.  
 Mitigeur thermostatique douche à encastrer, deux sorties.  
 Термостат для душа на 2 выхода, скрытый монтаж.

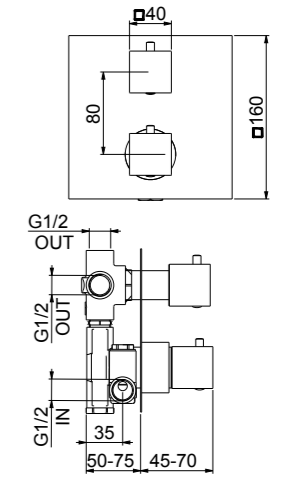


Finitura / finishing / finition / Покрытие  
 CR

22 kg  
 box pcs. 10

31 CR 0914

Miscelatore termostatico doccia incasso, tre uscite.  
 3-way built-in thermostatic shower mixer.  
 Mitigeur thermostatique douche à encastrer, trois sorties.  
 Термостат для душа на 3 выхода, скрытый монтаж.

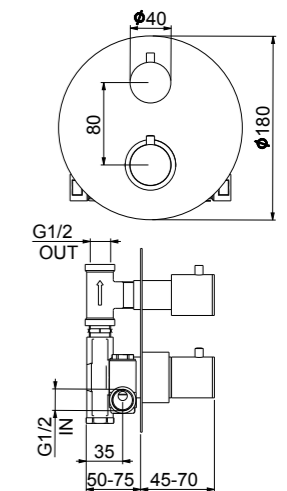


Finitura / finishing / finition / Покрытие  
 CR

24 kg  
 box pcs. 10

31 CR 0924

Miscelatore termostatico doccia incasso.  
 Built-in thermostatic shower mixer.  
 Mitigeur thermostatique douche à encastrer.  
 Термостат для душа, скрытый монтаж.



Finitura / finishing / finition / Покрытие  
 CR

20 kg  
 box pcs. 10

31 CR 0927

Miscelatore termostatico doccia incasso due uscite.

2-way built-in thermostatic shower mixer.

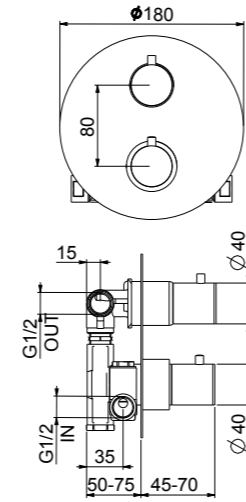
Mitigeur thermostatique douche à encastrer, deux sorties.

Термостат для душа на 2 выхода, скрытый монтаж.



Finitura / finishing / finition / Покрытие

CR



22 kg  
box pcs. 10

31 CR 0921

Miscelatore termostatico doccia incasso, tre uscite.

3-way built-in thermostatic shower mixer.

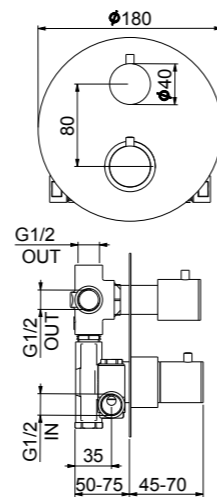
Mitigeur thermostatique douche à encastrer, trois sorties.

Термостат для душа на 3 выхода, скрытый монтаж.



Finitura / finishing / finition / Покрытие

CR



24 kg  
box pcs. 10

31 CR 0915

Miscelatore termostatico doccia incasso, 4 vie, doppia temperatura.

4-way built-in thermostatic shower mixer, double temperature.

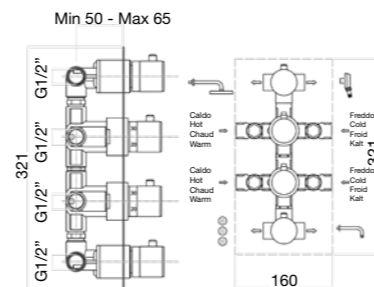
Mitigeur thermostatique douche à encastrer, quatre sorties, double température.

Термостат для душа на 4 выхода, скрытый монтаж.



Finitura / finishing / finition / Покрытие

CR



21 kg  
box pcs. 5

31 CR 0918

Miscelatore termostatico doccia con colonna e soffione tondo in ABS Ø mm 200, doccia idromassaggio

Thermostatic shower mixer with rail and Ø 200 mm round chrome ABS shower head, massage shower

Mitigeur thermostatique douche avec colonne et pomme de douche ronde en ABS chromée Ø mm 200, douche hydromassage

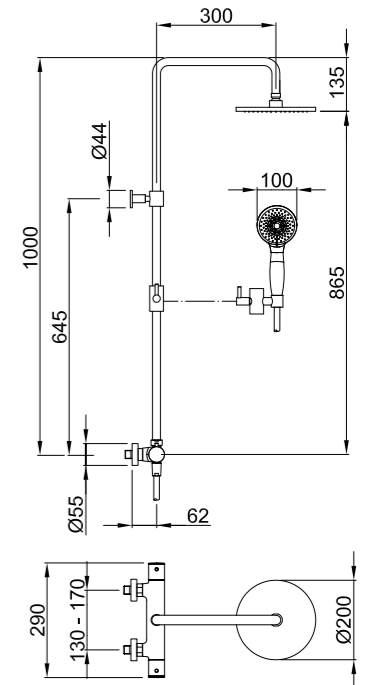
Термостат для душа, внешний монтаж, штанга, верхний душ, ручной душ massage



Finitura / finishing / finition / Покрытие

CR

5 kg  
box pcs. 1



Vitone ceramico, 1/4 di giro  
1/4 turn ceramic head work

31 CR 0978

Miscelatore termostatico doccia con colonna cm 114, soffione quadro in ottone 200x200 mm, duplex, doccia quadra.

Thermostatic shower mixer with rail cm 114, 200x200 mm brass square shower head, shower set, square shower.

Mitigeur thermostatique douche avec colonne cm 114, pomme de douche carrée en laiton 200x200 mm, garniture, douche carrée.

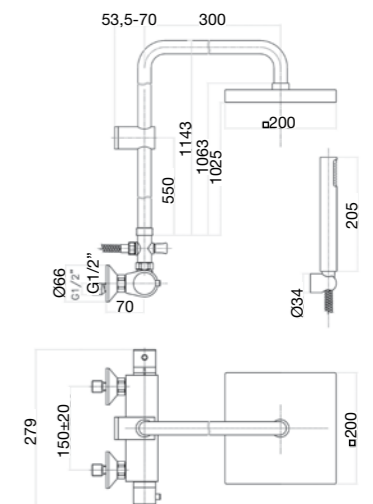
Термостат для душа, внешний монтаж, штанга, верхний душ, ручной душ.



Finitura / finishing / finition / Покрытие

CR

6 kg  
box pcs. 1



Vitone ceramico, 1/4 di giro  
1/4 turn ceramic head work

31 CR 0904

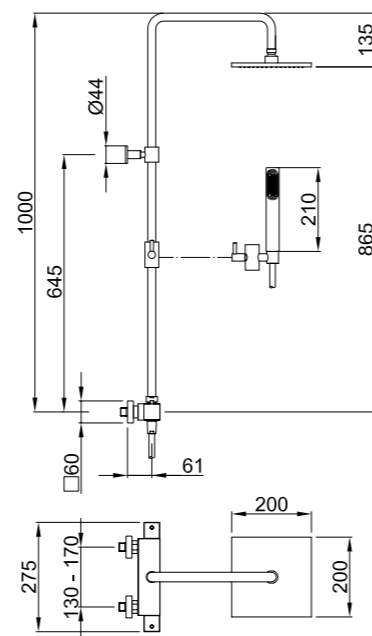


Miscelatore termostatico doccia con colonna, soffione quadro in ABS 200x200 mm, doccia quadra.

Thermostatic shower mixer with rail, 200x200 mm chrome ABS square shower head and square shower.

Mitigeur thermostatique douche avec colonne, pomme de douche carrée en ABS chromée 200x200 cm et douche carrée.

Термостат для душа, внешний монтаж, штанга, верхний душ, ручной душ.



Finitura / finishing / finition / Покрытие

CR

5,35 kg  
box pcs. 1

Vitone ceramico, 1/4 di giro  
1/4 turn ceramic head work

30 0590 60

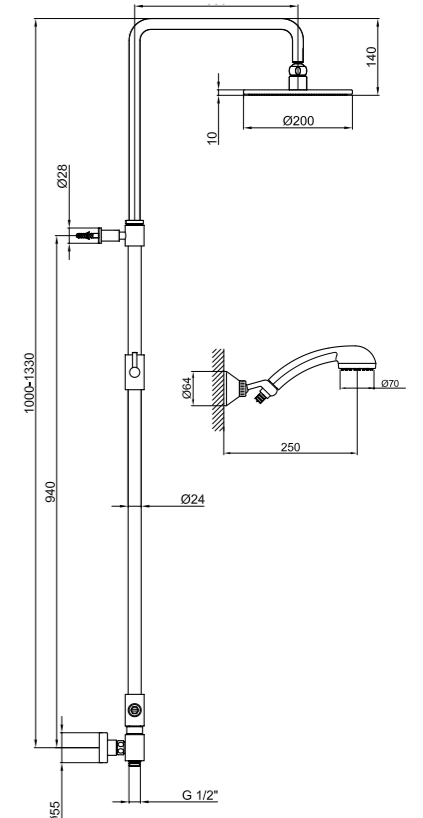


Colonna doccia esterna con soffione e doccetta monogetto e supporto scorrevole.

External shower column with shower head, monospray handshower and sliding holder.

Colonne de douche avec pomme de douche, douchette monojet et support coulissant.

Душевая стойка, верхний и ручной душ с скользящим держателем.



Finitura / finishing / finition / Покрытие

CR

7,6 kg  
box pcs. 1

30 0590 50

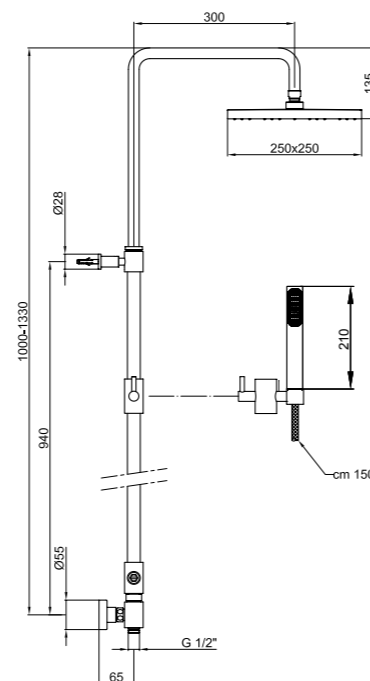


Colonna doccia esterna con soffione e doccetta monogetto e supporto scorrevole.

External shower column with shower head, monospray handshower and sliding holder.

Colonne de douche avec pomme de douche, douchette monojet et support coulissant.

Душевая стойка, верхний и ручной душ с скользящим держателем.



Finitura / finishing / finition / Покрытие

CR

7,6 kg  
box pcs. 1

30 0590 00

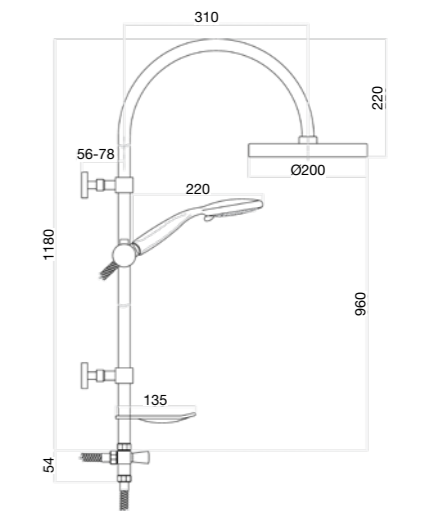


Colonna doccia con soffione in ABS Ø 200 mm, deviatore, flex e doccia idromassaggio.

Shower rail with Ø 200 mm chrome ABS shower head, diverter, flex and massage shower.

Colonne douche avec pomme de douche ABS chromée Ø mm 200, inverseur, flexible et douche hydromassage.

Душевая штанга с верхним душем Ø 200мм. дивертер, шланг, душевой гарнитур «massage».



Finitura / finishing / finition / Покрытие

CR

3,1 kg  
box pcs. 1

30 0591 00

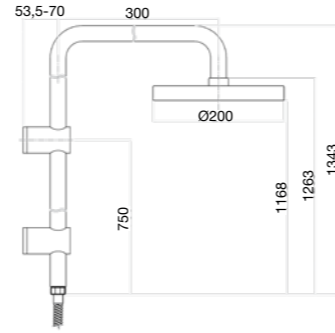


Colonna doccia cm 134 con soffione in ottone Ø 200 mm e flex.

Shower rail cm 134 with Ø 200 mm brass shower head and flex.

Colonne douche cm 120 avec pomme de douche en laiton Ø 200 mm et flexible.

Душевая штанга 134см. верхний душ Ø 200мм. шланг.



Finitura / finishing / finition / Покрытие

CR

3,2 kg box pcs. 1

30 0594 00

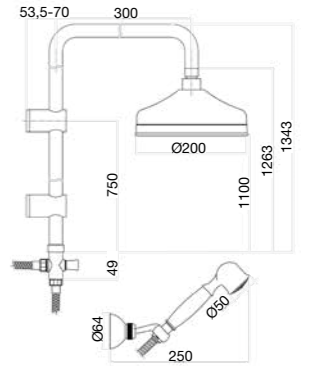


Colonna doccia cm 134 con soffione in ottone Ø 200 mm, deviatore, flex e duplex doccia retro.

Shower rail cm 134 with Ø 200 mm brass shower head, diverter, flex and shower set old style shower.

Colonne douche cm 134 avec pomme de douche en laiton Ø 200 mm, inverseur, flexible et garniture, douche rétro.

Душевая штанга 134см. верхний душ Ø 200мм. дивертер, шланг, душевой гарнитур «ретро».



Finitura / finishing / finition / Покрытие

CR  
CO  
RR / ZZ

4,2 kg box pcs. 1

30 0593 00

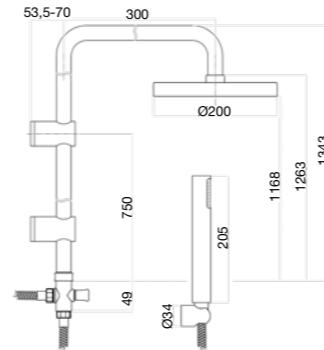


Colonna doccia cm 134 con soffione in ottone Ø mm 200, deviatore, flex e duplex.

Shower rail cm 134 with Ø 200 mm brass shower head, diverter, flex and shower set.

Colonne douche cm 134 avec pomme de douche en laiton Ø mm 200, inverseur, flexible et garniture.

Душевая штанга 134см. верхний душ Ø 200мм. дивертер, шланг, душевой гарнитур.



Finitura / finishing / finition / Покрытие

CR

3,5 kg box pcs. 1

30 0395 00

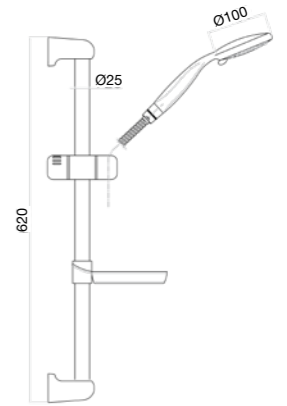


Set saliscendi 62-25 con doccia Siro 3g. testa d.10 cm flex doppia aggraffatura portasapone trasparente.

Sliding rail set 62-25 with 3-jet Siro shower Ø 10 cm, transparent soap dish.

Kit barre de douche 62-25 avec douchette Siro 3 jets, tête ø 10 cm, porte-savon transparent.

Душевая штанга 62-65 со скользящим лейкодержателем, 3-позиционной душевой лейкой Siro ø10см, шлангом с двойным фальцеванием и прозрачной мыльницей.



Finitura / finishing / finition / Покрытие

CR  
ZZ

10,3 kg box pcs. 10

30 0597 00

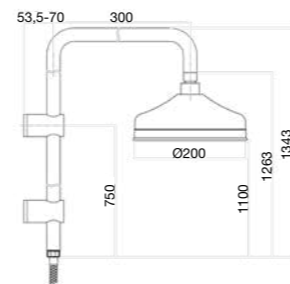


Colonna doccia cm 134 con soffione in ottone Ø 200 mm e flex.

Shower rail cm 134 with Ø 200 mm brass shower head and flex.

Colonne douche cm 134 avec pomme de douche en laiton Ø 200 mm et flexible.

Душевая штанга 134см. верхний душ Ø 200мм. шланг.



Finitura / finishing / finition / Покрытие

CR  
CO  
RR / ZZ

4 kg box pcs. 1

30 0396 00

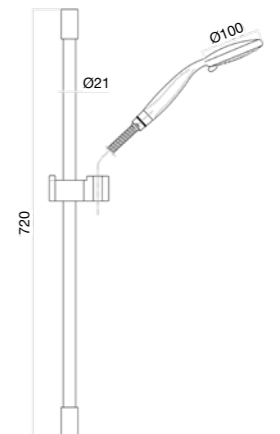


Set saliscendi 72-21 con doccia Siro 3g. testa d.10 cm flex doppia aggraffatura.

Sliding rail set 72-21 with 3-jet Siro shower Ø 10 cm, double seam flexible.

Kit barre de douche 72-21 avec douchette Siro 3 jets, tête ø 10 cm, flexible double agrafage.

Душевая штанга 72-21 со скользящим лейкодержателем, 3-позиционной душевой лейкой Siro ø10см, шлангом с двойным фальцеванием и прозрачной мыльницей.



Finitura / finishing / finition / Покрытие

CR

11 kg box pcs. 10

30 0396 05

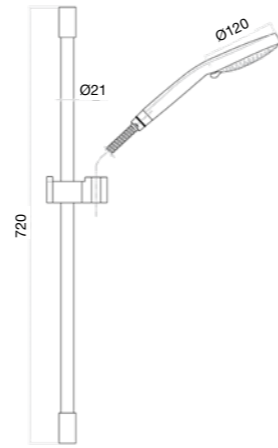


Set saliscendi 72-21 con doccia Salia 5g. testa d.12 cm flex doppia aggraffatura.

Sliding rail set 72-21 with 5-jet Salia shower Ø 12 cm, double seam flexible.

Kit barre de douche 72-21 avec douchette Salia 5 jets, tête ø 12 cm, flexible double agrafage.

Душевая штанга 72-21 со скользящим лейкодержателем, 5-позиционной душевой лейкой Salia ø12см и шлангом с двойным фальцеванием.



Finitura / finishing / finition / Покрытие

CR

11 kg box pcs. 10

30 0397 05

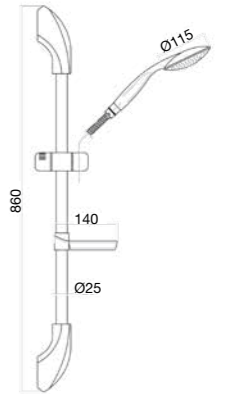


Set saliscendi 86-25 con doccia Cascata 5g. testa d.16 cm flex doppia aggraffatura e portasapone cromato

Sliding rail set 86-25 with Waterfall 5-jet shower Ø 16 cm, double seam flexible and chrome soap dish.

Kit barre de douche 86-25 avec douchette à Cascade 5 jets, tête ø 16 cm, flexible double agrafage et porte-savon chromé

Душевая штанга 86-25 со скользящим лейкодержателем, 3-позиционной душевой лейкой Cascata с водопадом ø16 см, шлангом с двойным фальцеванием и хромированной мыльницей.



Finitura / finishing / finition / Покрытие

CR

15 kg box pcs. 10

30 0392 05

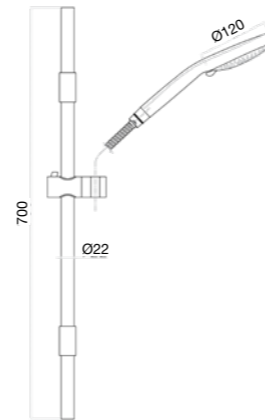


Set saliscendi 70-22 con doccia Salia 5g. testa d.12 cm flex doppia aggraffatura.

Sliding rail set 70-22 with Salia 5-jet shower Ø 12 cm, double seam flexible.

Kit barre de douche 70-22 avec douchette Salia 5 jets, tête ø 12 cm, flexible double agrafage.

Душевая штанга 70-22 со скользящим лейкодержателем, 5-позиционной душевой лейкой Salia ø12см и шлангом с двойным фальцеванием.



Finitura / finishing / finition / Покрытие

CR

12 kg box pcs. 10

30 0390 00

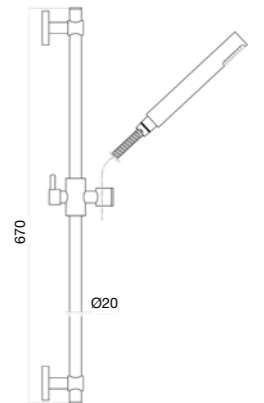


Set saliscendi 67-20 con doccia Minimal 1g. flex doppia aggraffatura.

Sliding rail set 67-20 with single jet minimal shower, double seam flexible.

Kit barre de douche 67-20 avec douchette minimale 1 jet, flexible double agrafage.

Душевая штанга 67-20 со скользящим лейкодержателем, 1-позиционной душевой лейкой Minimal и шлангом с двойным фальцеванием.



Finitura / finishing / finition / Покрытие

CR

13 kg box pcs. 10

30 0392 00

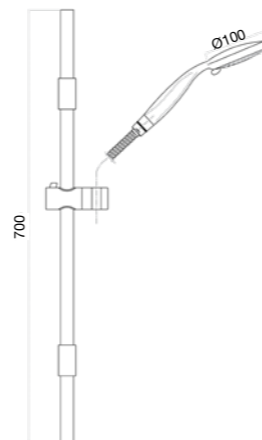


Set saliscendi 70-22 con doccia Siro 3g. testa d.10 cm flex doppia aggraffatura.

Sliding rail set 70-22 with Siro 3-jet shower Ø 10 cm, double seam flexible.

Kit barre de douche 70-22 avec douchette Siro 3 jets, tête ø 10 cm, flexible double agrafage.

Душевая штанга 70-22 со скользящим лейкодержателем, 3-позиционной душевой лейкой Siro ø10см и шлангом с двойным фальцеванием мыльницей.



Finitura / finishing / finition / Покрытие

CR

12 kg box pcs. 10

30 0397 00

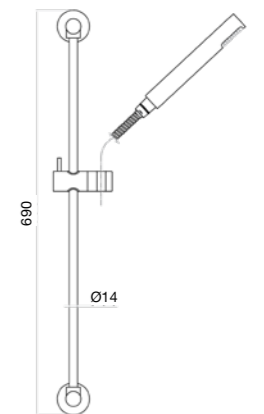


Set saliscendi 69-14 con doccia Minimal 1g. flex silver.

Sliding rail set 69-14 with single jet minimal shower, silver flexible.

Kit barre de douche 69-14 avec douchette minimale 1 jet, flexible Silver.

Душевая штанга 69-14 со скользящим лейкодержателем, 1-позиционной душевой лейкой Minimal и шлангом с двойным фальцеванием.



Finitura / finishing / finition / Покрытие

CR

20 kg box pcs. 10

30 0391 00

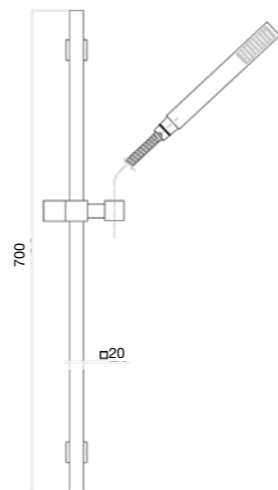


Set saliscendi 70-20x20 cm con doccia quadra 1g. flex doppia aggraffatura.

Sliding rail set 70-20x20 cm with single jet Square shower, double seam flexible.

Kit barre de douche 70-20x20 cm avec douchette Carrée 1 jet, flexible double agrafage.

Душевая штанга 70-20x20см со скользящим лейкодержателем, 1-позиционной душевой лейкой Quadra и шлангом с двойным фальцеванием.



Finitura / finishing / finition / Покрытие

CR

17 kg box pcs. 10

30 0394 05

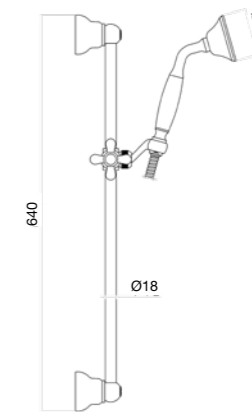


Set saliscendi 64-18 con doccia Antica imp. ceram. bianca 1g. testa d.7,5 cm flex doppia aggraffatura.

Sliding rail set 64-18 with Single jet white ceramic shower Ø 7,5 cm, double seam flexible.

Kit barre de douche 64-18, douchette rétro avec poignée en céramique blanche 1 jet, tête ø 7,5 cm, flexible double agrafage.

Душевая штанга 64-18 со скользящим лейкодержателем, 1-позиционной душевой лейкой Antica ø7,5см с керамической ручкой, шлангом с двойным фальцеванием.



Finitura / finishing / finition / Покрытие

CR

ZZ

OO

1,6 kg box pcs. 1

30 0391 07

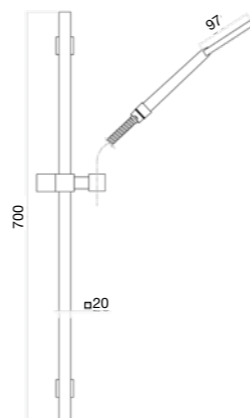


Set saliscendi 70-20x20 cm con doccia rettangolare 1g. flex doppia aggraffatura.

Sliding rail set 70-20x20 cm with single jet rectangular shower, double seam flexible.

Kit barre de douche 70-20x20 cm avec douchette rectangulaire 1 jet, flexible double agrafage.

Душевая штанга 70-20x20см со скользящим лейкодержателем, 1-позиционной Прямоугольной душевой лейкой и шлангом с двойным фальцеванием.



Finitura / finishing / finition / Покрытие

CR

17 kg box pcs. 10

30 CR 8636

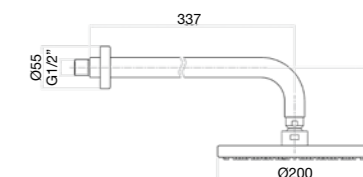


Braccio doccia in ottone 350 mm con soffione tondo in ottone Ø 200mm.

Brass shower arm 350 mm with Ø 200 mm brass round shower head.

Bras mural en laiton 350 mm avec pomme de douche ronde en laiton Ø 200mm.

Настенный круглый верхний душ из латуни диаметром Ø200мм с латунным кронштейном 350мм.



Finitura / finishing / finition / Покрытие

CR

30 0394 00

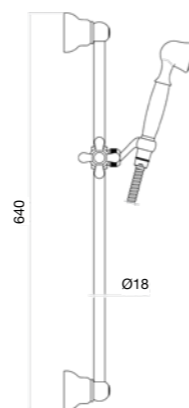


Set saliscendi 64-18 con doccia Retrò 1g. testa d.5 cm flex doppia aggraffatura.

Sliding rail set 64-18 with single jet old style shower Ø 5 cm, double seam flexible.

Kit barre de douche 64-18 avec douchette rétro 1 jet, tête ø 5 cm, flexible double agrafage

Душевая штанга 64-18 со скользящим лейкодержателем, 1-позиционной душевой лейкой Retrò ø5см и шлангом с двойным фальцеванием.



Finitura / finishing / finition / Покрытие

CR

ZZ

OO

1,4 kg box pcs. 1

30 CR 8601

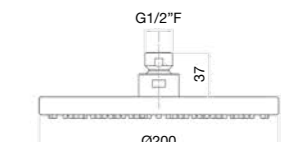


Soffione tondo in ottone Ø 200 mm.

Brass Ø 200 mm round shower head.

Pomme de douche en laiton ronde Ø 200mm.

КРУГЛЫЙ ВЕРХНИЙ ДУШ ИЗ ЛАТУНИ ДИАМЕТРОМ Ø 200MM.



Finitura / finishing / finition / Покрытие

CR

30 CR 8600

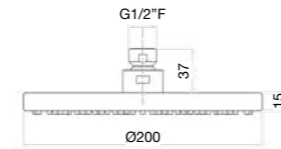


Soffione tondo in ABS Ø200 mm.  
 Chrome ABS Ø200 mm round shower head.  
 Pomme de douche en ABS chromée ronde Ø200mm.

Круглый верхний душ из АБС-пластика диаметром Ø200мм.

Finitura / finishing / finition / Покрытие

CR



30 CR 8633

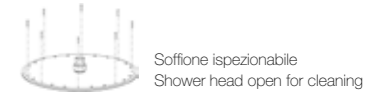
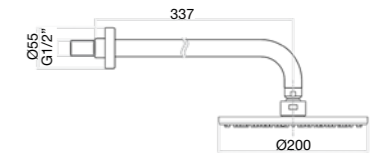


Soffione tondo Ø 200 mm in acciaio ispezionabile con braccio alimentazione laterale 350 mm.  
 Round shower head Ø 200 mm in stainless steel open for cleaning with horizontal inlet arm 350 mm.  
 Pomme de douche ronde Ø 200 mm en inox, disque de jet amovible pour nettoyage avec bras mural 350 mm.

Настенный круглый верхний душ Ø 200мм, разборной для удобства чистки, с кронштейном 350мм.

Finitura / finishing / finition / Покрытие

CR



30 CR 8605



Soffione tondo Ø 200 mm in acciaio ispezionabile.

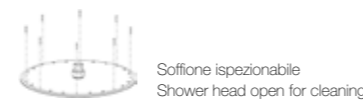
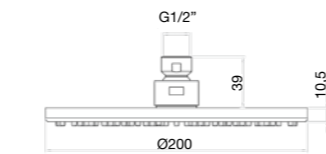
Round shower head Ø 200 mm in stainless steel open for cleaning.

Pomme de douche ronde Ø 200 mm en inox, disque de jet amovible pour nettoyage.

Верхний душ Ø 200мм разборной для удобства чистки.

Finitura / finishing / finition / Покрытие

CR



30 CR 8634



Soffione tondo Ø 300 mm in acciaio ispezionabile con braccio alimentazione laterale 350 mm.

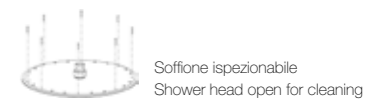
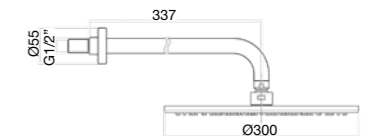
Round shower head Ø 300 mm in stainless steel open for cleaning with horizontal inlet arm 350 mm.

Pomme de douche ronde Ø 300 mm en inox, disque de jet amovible pour nettoyage avec bras mural 350 mm.

Настенный круглый верхний душ Ø 300мм, разборной для удобства чистки, с кронштейном 350мм.

Finitura / finishing / finition / Покрытие

CR



30 CR 8606



Soffione tondo Ø300 mm in acciaio ispezionabile.

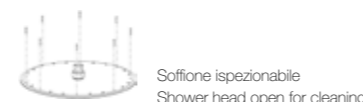
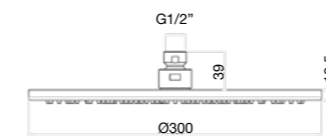
Round shower head Ø 300 mm in stainless steel open for cleaning.

Pomme de douche ronde Ø 300 mm en inox, disque de jet amovible pour nettoyage.

Круглый верхний душ из стали диаметром 300мм, разборной для удобства чистки.

Finitura / finishing / finition / Покрытие

CR



30 CR 8635



Soffione tondo Ø 400 mm in acciaio ispezionabile con braccio alimentazione laterale 500 mm.

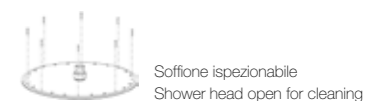
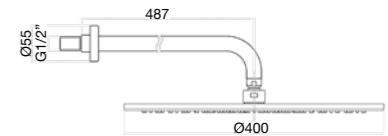
Round shower head Ø 400 mm in stainless steel open for cleaning with horizontal inlet arm 500 mm.

Pomme de douche ronde Ø 400 mm en inox, disque de jet amovible pour nettoyage, avec bras mural 500 mm.

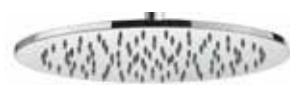
Настенный круглый верхний душ Ø 400мм, разборной для удобства чистки, с кронштейном 500мм.

Finitura / finishing / finition / Покрытие

CR



30 CR 8607



Soffione tondo Ø 400 mm in acciaio ispezionabile.

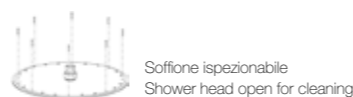
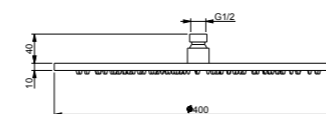
Round shower head Ø 400 mm in stainless steel open for cleaning.

Pomme de douche ronde Ø 400 mm en inox, disque de jet amovible pour nettoyage.

Верхний душ Ø 400мм разборной для удобства чистки.

Finitura / finishing / finition / Покрытие

CR



30 CR 8643



Soffione tondo Ø 200 mm in acciaio ispezionabile con braccio alimentazione verticale 300 mm.

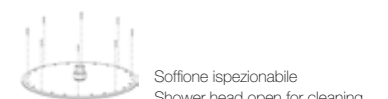
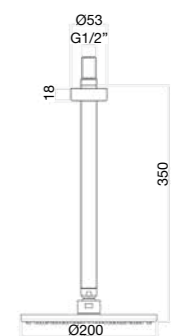
Round shower head Ø 200 mm in stainless steel open for cleaning with ceiling inlet arm 300 mm.

Pomme de douche ronde Ø 200 mm en inox, disque de jet amovible pour nettoyage avec bras d'alimentation vertical 300 mm.

Потолочный верхний душ Ø 200мм, разборной для удобства чистки, с вертикальным кронштейном 300мм.

Finitura / finishing / finition / Покрытие

CR



**30 CR 8644**

Soffione tondo Ø 300 mm in acciaio ispezionabile con braccio alimentazione verticale 300 mm.

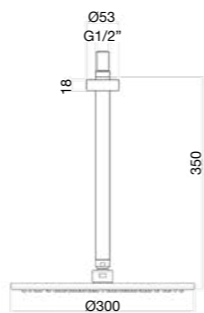
Round shower head Ø 300 mm in stainless steel open for cleaning with ceiling inlet arm 300 mm.

Pomme de douche ronde Ø 300 mm en inox, disque de jet amovible pour nettoyage avec bras d'alimentation vertical 300 mm.

Потолочный верхний душ Ø 300мм, разборной для удобства чистки, с вертикальным кронштейном 300мм.

Finitura / finishing / finition / **ПОКРЫТИЕ**

CR



Soffione ispezionabile  
Shower head open for cleaning

**30 CR 8604**

Soffione tondo Ø mm 400 ultra sottile in acciaio.

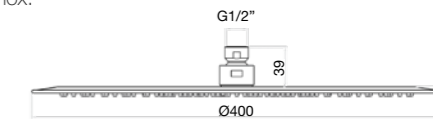
Ultra-thin round shower head Ø mm 400 in stainless steel.

Pomme de douche Ø mm 400 ronde ultrafine en inox.

Верхний душ Ø 400мм, ультратонкий.

Finitura / finishing / finition / **ПОКРЫТИЕ**

CR

**30 CR 8645**

Soffione tondo Ø 400 mm in acciaio ispezionabile con braccio alimentazione verticale 300 mm.

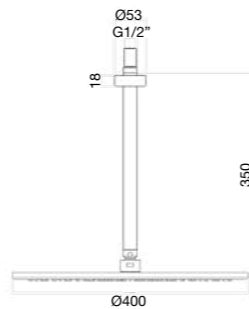
Round shower head Ø 400 mm in stainless steel open for cleaning with ceiling inlet arm 300 mm.

Pomme de douche ronde Ø 400 mm en inox, disque de jet amovible pour nettoyage avec bras d'alimentation vertical 300 mm.

Потолочный верхний душ Ø 400мм, разборной для удобства чистки, с вертикальным кронштейном 300мм.

Finitura / finishing / finition / **ПОКРЫТИЕ**

CR



Soffione ispezionabile  
Shower head open for cleaning

**30 CR 8630**

Soffione tondo Ø 200 mm ultra sottile in acciaio con braccio alimentazione laterale 350 mm.

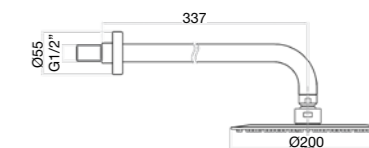
Ultra-thin round shower head Ø 200 mm in stainless steel with horizontal inlet arm 350 mm.

Pomme de douche ronde Ø 200 mm ultrafine en inox avec bras mural 350 mm.

Настенный круглый верхний душ Ø 200мм, ультратонкий, с кронштейном 350мм.

Finitura / finishing / finition / **ПОКРЫТИЕ**

CR

**30 CR 8602**

Soffione tondo Ø 200 mm ultra sottile in acciaio.

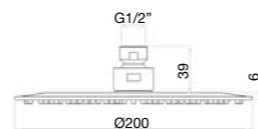
Ultra-thin round shower head Ø 200 mm in stainless steel.

Pomme de douche Ø 200 mm ronde ultrafine en inox.

Верхний душ Ø 200мм, ультратонкий

Finitura / finishing / finition / **ПОКРЫТИЕ**

CR

**30 CR 8631**

Soffione tondo Ø 300 mm ultra sottile in acciaio con braccio alimentazione laterale 350 mm.

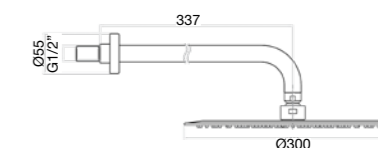
Ultra-thin round shower head Ø 300 mm in stainless steel with horizontal inlet arm 350 mm.

Pomme de douche ronde Ø mm 300 ultrafine en inox avec bras mural 350 mm.

Настенный круглый верхний душ Ø 300мм, ультратонкий, с кронштейном 350мм.

Finitura / finishing / finition / **ПОКРЫТИЕ**

CR

**30 CR 8603**

Soffione tondo Ø mm 300 ultra sottile in acciaio.

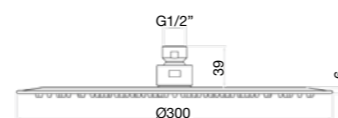
Ultra-thin round shower head Ø mm 300 in stainless steel.

Pomme de douche Ø mm 300 ronde ultrafine en inox.

Верхний душ Ø 300мм, ультратонкий.

Finitura / finishing / finition / **ПОКРЫТИЕ**

CR

**30 CR 8632**

Soffione tondo Ø 400 mm ultra sottile in acciaio con braccio alimentazione laterale 500 mm.

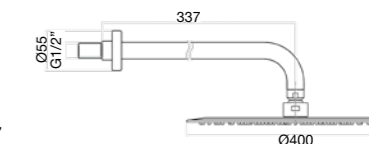
Ultra-thin round shower head Ø 400 mm in stainless steel with horizontal inlet arm 500 mm.

Pomme de douche ronde Ø 400 mm ultrafine en inox avec bras mural 500 mm.

Настенный круглый верхний душ Ø 400мм, ультратонкий, с кронштейном 500мм.

Finitura / finishing / finition / **ПОКРЫТИЕ**

CR





30 CR 8640



Soffione tondo Ø 200 mm ultra sottile in acciaio con braccio alimentazione verticale 300 mm.

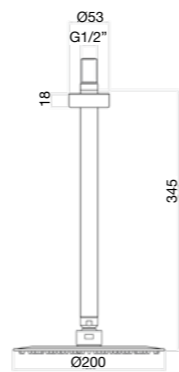
Ultra-thin round shower Ø 200 mm in stainless steel head with ceiling inlet arm 300 mm.

Pomme de douche ronde Ø 200 mm ultrafine en inox avec bras d'alimentation vertical 300 mm.

Потолочный верхний душ Ø 200мм, ультратонкий, с вертикальным кронштейном 300мм.

Finitura / finishing / finition / Покрытие

CR



30 CR 8657



Braccio doccia tondo in ottone 350 mm con soffione quadro in ottone mm 200x200.

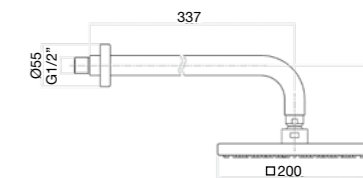
Brass round shower arm 350 mm with 200x200 mm brass square shower head.

Bras mural rond avec pomme de douche carrée 200x200 mm.

Настенный квадратный верхний душ из латуни 200x200мм с круглым латунным кронштейном 350мм.

Finitura / finishing / finition / Покрытие

CR



30 CR 8641



Soffione tondo Ø 300 mm ultra sottile in acciaio con braccio alimentazione verticale 300 mm.

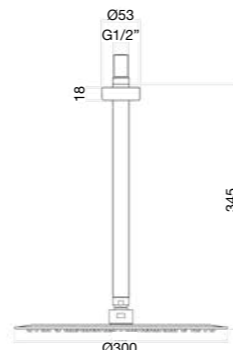
Ultra-thin round shower Ø 300 mm in stainless steel head with ceiling inlet arm 300 mm.

Pomme de douche ronde Ø 300 mm ultrafine avec bras d'alimentation vertical 300 mm.

Потолочный верхний душ Ø 300мм, ультратонкий, с вертикальным кронштейном 300мм.

Finitura / finishing / finition / Покрытие

CR



30 CR 8611



Soffione quadrato in ottone mm 200x200.

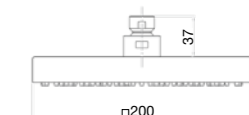
Brass 200x200 mm square shower head.

Pomme de douche carrée en laiton mm 200x200.

Квадратный верхний душ из латуни 200x200мм.

Finitura / finishing / finition / Покрытие

CR



30 CR 8610



Soffione quadrato in cromo ABS mm 200x200.

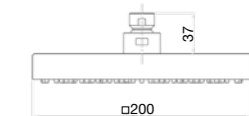
Chrome ABS 200x200 mm square shower head.

Pomme de douche carrée en ABS mm 200x200.

Квадратный верхний душ из латуни 200x200мм

Finitura / finishing / finition / Покрытие

CR



30 CR 8642



Soffione tondo Ø 400 mm ultra sottile in acciaio con braccio alimentazione verticale 300 mm.

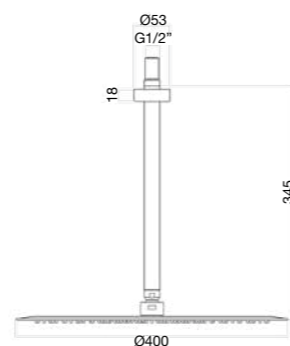
Ultra-thin round shower Ø 400 mm in stainless steel head with ceiling inlet arm 300 mm.

Pomme de douche ronde Ø 400 mm en inox ultrafine avec bras d'alimentation vertical 300 mm.

Потолочный верхний душ Ø 400мм, ультратонкий, с вертикальным кронштейном 300мм

Finitura / finishing / finition / Покрытие

CR



30 CR 8615



Soffione quadrato mm 200x200 in acciaio ispezionabile.

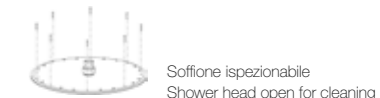
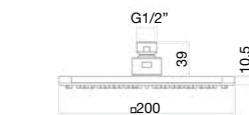
Square shower head mm 200x200 in stainless steel, open for cleaning.

Pomme de douche carrée mm 200x200 en inox, disque de jet amovible pour nettoyage.

Верхний душ квадратный 200x200мм разборной для удобства чистки.

Finitura / finishing / finition / Покрытие

CR



30 CR 8656



Braccio doccia quadrato in ottone 350 mm con soffione quadro in ottone mm 200x200.

Brass square shower arm 350 mm with 200x200 mm brass square shower head.

Bras mural carrée en laiton 350 mm avec pomme de douche carré en laiton 200x200 mm.

Настенный квадратный верхний душ из латуни 200x200мм с квадратным латунным кронштейном 350мм.

Finitura / finishing / finition / Покрытие

CR



30 CR 8616



Soffione quadrato mm 300x300 in acciaio ispezionabile.

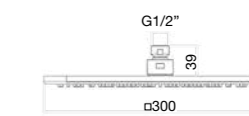
Square shower head mm 300x300 in stainless steel, open for cleaning.

Pomme de douche carrée mm 300x300 en inox, disque de jet amovible pour nettoyage.

Верхний душ квадратный 300x300мм разборной для удобства чистки

Finitura / finishing / finition / Покрытие

CR



30 CR 8617

Soffione quadrato mm 400x400 in acciaio ispezionabile.

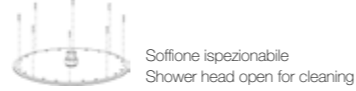
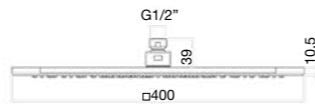
Square shower head mm 400x400 in stainless steel, open for cleaning.

Pomme de douche carrée mm 400x400, disque de jet amovible pour nettoyage.

Верхний душ квадратный 400x400мм разборной для удобства чистки.

Finitura / finishing / finition / Покрытие

CR



30 CR 8663

Soffione quadrato mm 200x200 ispezionabile in acciaio con braccio alimentazione verticale 300 mm.

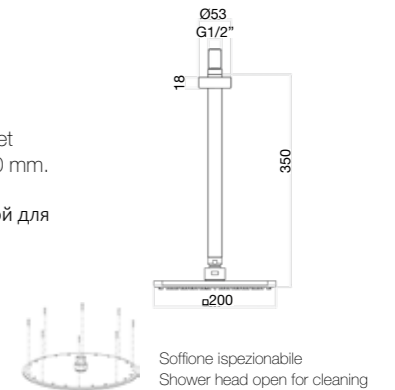
Square shower head mm 200x200 in stainless steel open for cleaning with ceiling inlet arm 300 mm.

Pomme de douche carrée mm 200x200 en inox, disque de jet amovible pour nettoyage avec bras d'alimentation vertical 300 mm.

Потолочный квадратный верхний душ 200x200мм, разборной для удобства чистки, с вертикальным кронштейном 300мм.

Finitura / finishing / finition / Покрытие

CR



30 CR 8653

Soffione quadrato mm 200x200 in acciaio ispezionabile con braccio alimentazione laterale 350 mm.

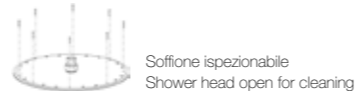
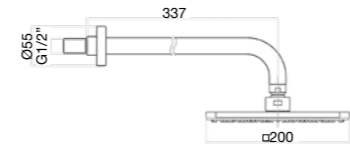
Square shower head mm 200x200 in stainless steel open for cleaning with horizontal inlet arm 350 mm.

Pomme de douche carrée mm 200x200 en inox, disque de jet amovible pour nettoyage avec bras mural 350 mm.

Настенный квадратный верхний душ 200x200мм, разборной для удобства чистки, с кронштейном 350мм.

Finitura / finishing / finition / Покрытие

CR



30 CR 8664

Soffione quadrato mm 300x300 in acciaio ispezionabile con braccio alimentazione verticale 300 mm.

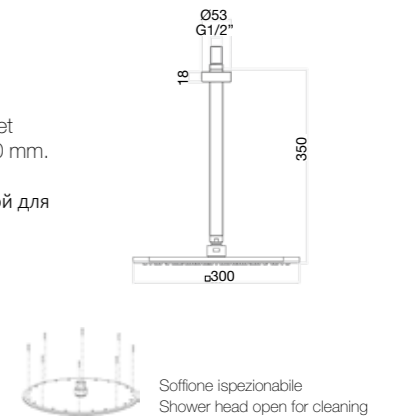
Square shower head mm 300x300 in stainless steel open for cleaning with ceiling inlet arm 300 mm.

Pomme de douche carrée mm 300x300 en inox, disque de jet amovible pour nettoyage avec bras d'alimentation vertical 300 mm.

Потолочный квадратный верхний душ 300x300мм, разборной для удобства чистки, с вертикальным кронштейном 300мм.

Finitura / finishing / finition / Покрытие

CR



30 CR 8654

Soffione quadrato mm 300x300 in acciaio ispezionabile con braccio alimentazione laterale 350 mm.

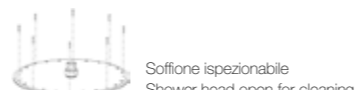
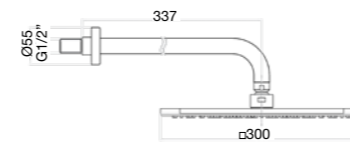
Square shower head mm 300x300 in stainless steel open for cleaning with horizontal inlet arm 350 mm.

Pomme de douche carrée mm 300x300 en inox, disque de jet amovible pour nettoyage avec bras mural 350 mm.

Настенный круглый верхний душ 300x300мм, разборной для удобства чистки, с кронштейном 350мм.

Finitura / finishing / finition / Покрытие

CR



30 CR 8665

Soffione quadrato mm 400x400 in acciaio ispezionabile con braccio alimentazione verticale 300 mm.

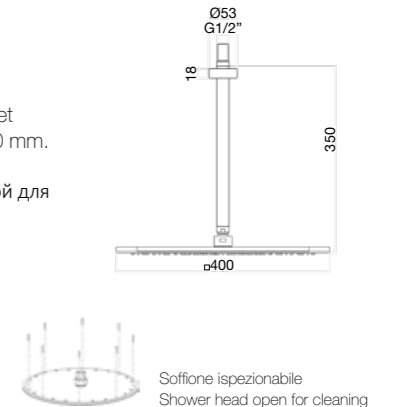
Square shower head mm 400x400 in stainless steel open for cleaning with ceiling inlet arm 300 mm.

Pomme de douche carrée mm 400x400 en inox, disque de jet amovible pour nettoyage avec bras d'alimentation vertical 300 mm.

Потолочный квадратный верхний душ 400x400мм, разборной для удобства чистки, с вертикальным кронштейном 300мм.

Finitura / finishing / finition / Покрытие

CR



30 CR 8655

Soffione quadrato mm 400x400 in acciaio ispezionabile con braccio alimentazione laterale 500 mm.

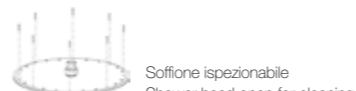
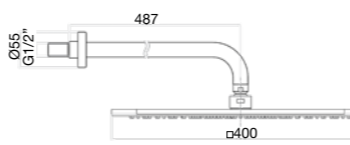
Square shower head mm 400x400 in stainless steel open for cleaning with horizontal inlet arm 500 mm.

Pomme de douche carrée mm 400x400 en inox, disque de jet amovible pour nettoyage avec bras mural 500 mm.

Настенный круглый верхний душ 400x400мм, разборной для удобства чистки, с кронштейном 500мм.

Finitura / finishing / finition / Покрытие

CR



30 CR 8612

Soffione quadrato mm 200x200 ultra sottile in acciaio.

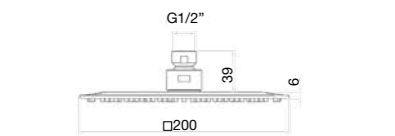
Ultra-thin square shower head mm 200x200 in stainless steel.

Pomme de douche carrée mm 200x200 ultrafine en inox.

Верхний душ квадратный 200x200мм, ультратонкий.

Finitura / finishing / finition / Покрытие

CR



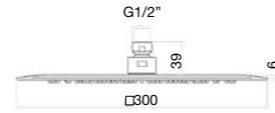
30 CR 8613

Soffione quadrato mm 300x300 ultra sottile in acciaio.

Ultra-thin square shower head mm 300x300 in stainless steel.

Pomme de douche carrée mm 300x300 ultrafine en inox.

Верхний душ квадратный 300x300мм, ультратонкий.



Finitura / finishing / finition / Покрытие

CR

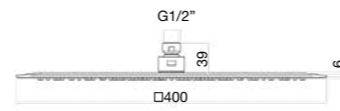
30 CR 8614

Soffione quadrato mm 400x400 ultra sottile in acciaio.

Ultra-thin square shower head mm 400x400 in stainless steel.

Pomme de douche mm 400x400 carrée ultrafine en inox.

Верхний душ квадратный 400x400мм, ультратонкий.



Finitura / finishing / finition / Покрытие

CR

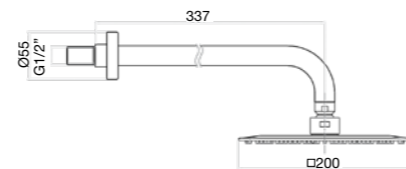
30 CR 8650

Soffione quadrato mm 200x200 ultra sottile in acciaio con braccio alimentazione laterale 350 mm.

Ultra-thin square shower head mm 200x200 in stainless steel with horizontal inlet arm 350 mm.

Pomme de douche carrée mm 200x200 ultrafine en inox avec bras mural 350 mm.

Настенный квадратный верхний душ 200x200мм, ультратонкий, с кронштейном 350мм.



Finitura / finishing / finition / Покрытие

CR

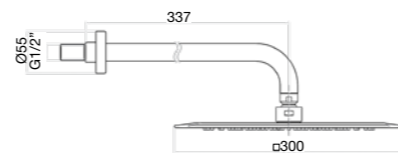
30 CR 8651

Soffione quadrato mm 300x300 ultra sottile in acciaio con braccio alimentazione laterale 350 mm.

Ultra-thin square shower head mm 300x300 in stainless steel with horizontal inlet arm 350 mm.

Pomme de douche carrée mm 300x300 ultrafine en inox avec bras mural 350 mm.

Настенный квадратный верхний душ 300x300мм, ультратонкий, с кронштейном 350мм.



Finitura / finishing / finition / Покрытие

CR

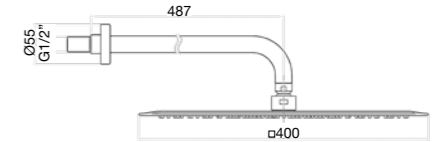
30 CR 8652

Soffione quadrato mm 400x400 ultra sottile in acciaio con braccio alimentazione laterale 500 mm.

Ultra-thin square shower head mm 400x400 in stainless steel with horizontal inlet arm 500 mm.

Pomme de douche carrée mm 400x400 ultrafine en inox avec bras mural 500 mm.

Настенный квадратный верхний душ 400x400мм, ультратонкий, с кронштейном 500мм.



Finitura / finishing / finition / Покрытие

CR

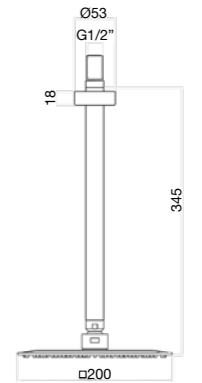
30 CR 8660

Soffione quadrato mm 200x200 ultra sottile in acciaio con braccio alimentazione verticale 300 mm.

Ultra-thin square shower head mm 200x200 in stainless steel with ceiling inlet arm 300 mm.

Pomme de douche carrée mm 200x200 ultrafine en inox avec bras d'alimentation vertical 300 mm.

Потолочный квадратный верхний душ 200x200мм, ультратонкий, с вертикальным кронштейном 300мм.



Finitura / finishing / finition / Покрытие

CR

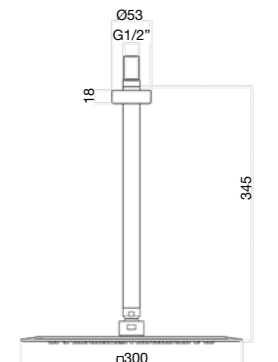
30 CR 8661

Soffione quadrato mm 300x300 ultra sottile in acciaio con braccio alimentazione verticale 300 mm.

Ultra-thin square shower head mm 300x300 in stainless steel with ceiling inlet arm 300 mm.

Pomme de douche carrée mm 300x300 ultrafine en inox avec bras d'alimentation vertical 300 mm.

Потолочный квадратный верхний душ 300x300мм, ультратонкий, с вертикальным кронштейном 300мм.



Finitura / finishing / finition / Покрытие

CR

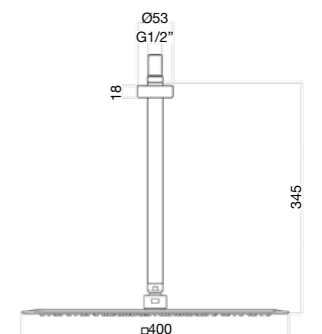
30 CR 8662

Soffione quadrato mm 400x400 ultra sottile in acciaio con braccio alimentazione verticale 300 mm.

Ultra-thin square shower head mm 400x400 in stainless steel with ceiling inlet arm 300 mm.

Pomme de douche carrée mm 400x400 ultrafine en inox avec bras d'alimentation vertical 300 mm.

Потолочный квадратный верхний душ 400x400мм, ультратонкий, с вертикальным кронштейном 300мм.



Finitura / finishing / finition / Покрытие

CR

30 CR 8637

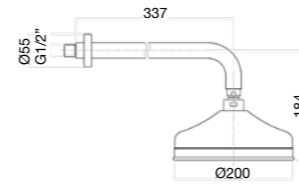


Braccio doccia in ottone 350 mm con soffione antico in ottone Ø200 mm.

Brass shower arm 350 mm with old style brass shower head Ø200 mm.

Bras mural en laiton 350 mm avec pomme de douche rétro en laiton Ø200 mm.

НАСТЕННЫЙ ВЕРХНИЙ ДУШ ИЗ ЛАТУНИ В КЛАССИЧЕСКОМ СТИЛЕ ДИАМЕТРОМ Ø200ММ С ЛАТУННЫМ КРОНШТЕЙНОМ 350ММ.



Finitura / finishing / finition / Покрытие

CR  
CO  
RR / ZZ  
OO

30 CR 8608

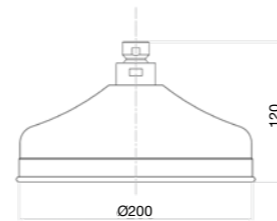


Soffione antico in ottone Ø200 mm.

Old style brass shower head Ø200 mm.

Pomme de douche rétro en laiton Ø200 mm.

ВЕРХНИЙ ДУШ ИЗ ЛАТУНИ В КЛАССИЧЕСКОМ СТИЛЕ ДИАМЕТРОМ Ø200ММ.



Finitura / finishing / finition / Покрытие

CR  
CO  
RR / ZZ  
OO

30 CR 8609

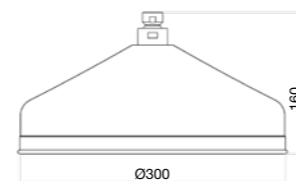


Soffione antico in ottone Ø300 mm.

Old style brass shower head Ø300 mm.

Pomme de douche rétro en laiton Ø300 mm.

Верхний душ из латуни в классическом стиле диаметром Ø300мм.



Finitura / finishing / finition / Покрытие

CR  
CO  
RR / ZZ  
OO

30 CR 8620



Braccio doccia tondo in ottone mm 350.

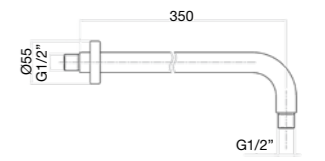
350 mm round brass shower arm.

Bras de douche rond en laiton mm 350.

Кронштейн для круглого верхнего душа 350мм

Finitura / finishing / finition / Покрытие

30CR8620 CR  
30CR8621 CR  
30CR8622 CR



30 CR 8623



Braccio doccia tondo verticale in ottone mm 200.

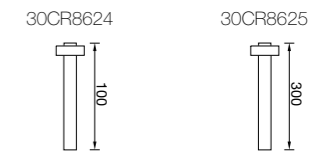
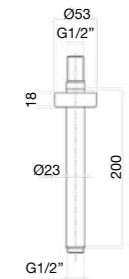
Vertical brass round shower arm, 200 mm.

Bras de douche rond vertical en laiton, 200 mm.

Вертикальный кронштейн из латуни для круглого верхнего душа 200мм.

Finitura / finishing / finition / Покрытие

30CR8623 CR  
30CR8624 CR  
30CR8625 CR



30 CR 8626



Braccio doccia quadrato in ottone mm 350.

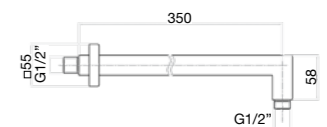
350 mm brass square shower arm.

Bras de douche carré en laiton mm 350.

Квадратный латунный кронштейн 350мм для верхнего душа.

Finitura / finishing / finition / Покрытие

CR



30 CR 8627



Braccio doccia quadrato verticale in ottone 200 mm.

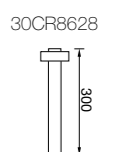
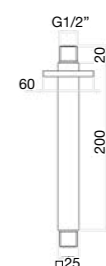
Vertical square brass shower arm 200 mm.

Bras de douche carré en laiton vertical 200 mm.

Вертикальный квадратный латунный кронштейн 200мм для верхнего душа.

Finitura / finishing / finition / Покрытие

30CR8627 CR  
30CR8628 CR



30 CR 8901



Braccio doccia 350 mm, soffione Ø200 mm in ABS, presa acqua con supporto, doccia idromassaggio 3 getti, flex satilux 175 cm.

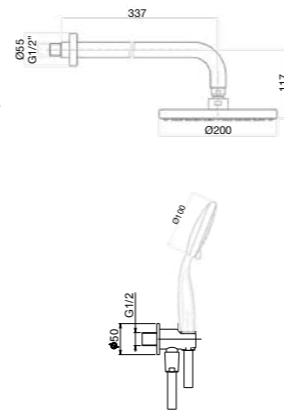
Shower arm 350 mm, chrome ABS Ø200 mm shower head, intake of water with holder, 3 jets massage shower, flex satilux 175 cm.

Bras mural 350 mm, pomme de douche Ø200 mm en ABS chromée, support mural avec prise d'eau. douche hydromassage 3 jets, flexible satilux 175 cm.

Круглый верхний душ из АБС-пластика диаметром Ø200мм с латунным кронштейном 350мм, Набор лейка ,шланг подвод воды.

Finitura / finishing / finition / Покрытие

CR



30 CR 8911



Braccio doccia 350 mm, soffione 200x200 mm in ABS, presa acqua con supporto, doccia quadra flex satilux 175 cm.

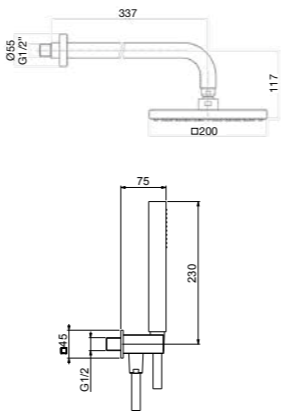
Shower arm 350 mm, chrome ABS 200x200 mm shower head, intake of water with holder, square shower, flex satilux 175 cm.

Bras mural 350 mm, pomme de douche 200x200 mm en ABS chromée, support mural avec prise d'eau, douche carrée, flexible satilux 175 cm.

Квадратный верхний душ из латуни 200x200мм с круглым латунным кронштейном 350мм, Набор лейка ,шланг подвод воды.

Finitura / finishing / finition / Покрытие

CR



30 CR 8785



Kit supporto doccetta e flessibile con presa acqua.

Shower set composed of holder, hand shower, flex and intake of water.

Garniture de douche composée de support mural, douchette, flexible et prise d'eau.

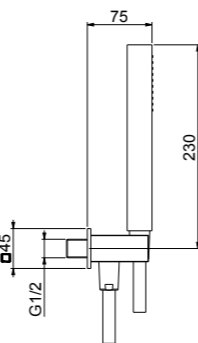
Набор лейка ,шланг подвод воды.

Finitura / finishing / finition / Покрытие

CR

NN / BB

TT / OZ / CN / NP



30 CR 8786



Kit supporto doccetta e flessibile con presa acqua.

Shower set composed of holder, hand shower, flex and intake of water.

Garniture de douche composée de support mural, douchette, flexible et prise d'eau.

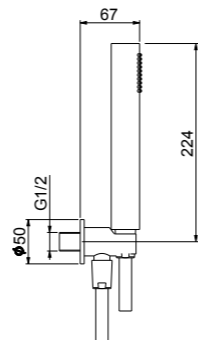
Набор лейка ,шланг подвод воды.

Finitura / finishing / finition / Покрытие

CR

NN / BB

TT / OZ / CN / NP



30 CR 8700



Doccia idromassaggio Salia 5g. testa d.12 cm.

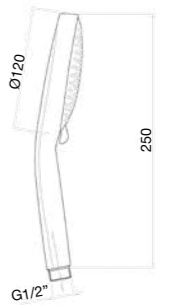
Salia massage shower 5-jet, Ø 12 cm.

Douche hydromassage Salia 5 jets, tête ø 12 cm.

Гидромассажная 5-позиционная душевая лейка Salia Ø12см.

Finitura / finishing / finition / Покрытие

CR



30 CR 8701



Doccia idromassaggio Siro 3g. testa d.10 cm.

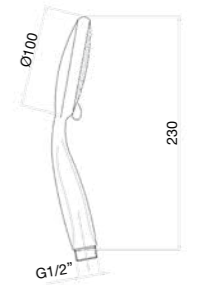
Siro massage shower 3-jet, Ø 10 cm.

Douche hydromassage Siro 3 jets, tête ø 10 cm.

Гидромассажная 3-позиционная душевая лейка Siro Ø10см.

Finitura / finishing / finition / Покрытие

CR



30 CR 8702



Doccia idromassaggio Silla 3g. testa d.10 cm.

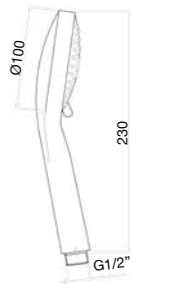
Silla massage shower 3-jet, Ø 10 cm.

Douche hydromassage Silla 3 jets, tête ø 10 cm.

Гидромассажная 3-позиционная душевая лейка Silla Ø10см

Finitura / finishing / finition / Покрытие

CR



30 CR 8703



Doccia Siro.

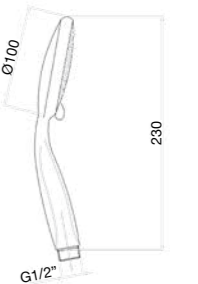
Siro shower.

Douche Siro.

Душевая лейка Siro.

Finitura / finishing / finition / Покрытие

CR



30 CR 8704



Doccia minimal.

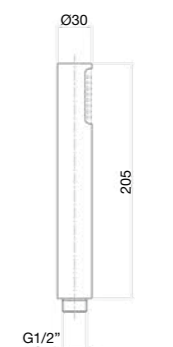
Minimal shower.

Douche minimale.

Душевая лейка minimal.

Finitura / finishing / finition / Покрытие

CR



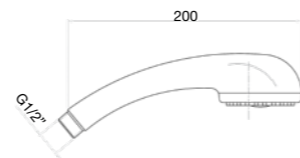
30 CR 8705



Doccia Quarzo.  
Quarzo shower.  
Douche Quarzo.  
Душевая лейка Quarzo.

Finitura / finishing / finition / Покрытие

CR



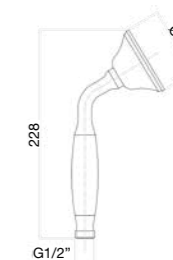
30 CR 8710



Doccia Antica impugnatura ceramica bianca.  
Old style shower, white ceramic handle.  
Douche Rétro avec poignée en céramique blanche.  
Душевая лейка Antica с керамической ручкой.

Finitura / finishing / finition / Покрытие

CR  
CO  
RR / ZZ  
OO



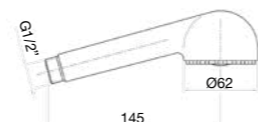
30 CR 8706



Doccia Beta cromata.  
Beta chrome shower.  
Douche chromée Beta.  
Душевая лейка Beta хромированная.

Finitura / finishing / finition / Покрытие

CR



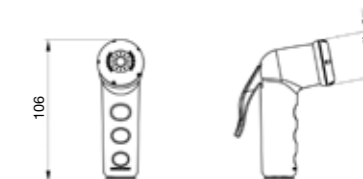
35 DOC0 34



Doccia shut-off in PVC.  
PVC shut-off shower.  
Douchette en PVC.  
Гигиенический лейка в пвс

Finitura / finishing / finition / Покрытие

CR



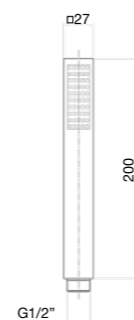
30 CR 8707



Doccia quadra.  
Square shower.  
Douche carrée.  
Квадратная лейка.

Finitura / finishing / finition / Покрытие

CR



35 DOC0 35



Doccia shut-off in ABS.  
Chrome ABS shut-off shower.  
Douchette en ABS chromée.  
Гигиенический лейка в Абс.

Finitura / finishing / finition / Покрытие

CR



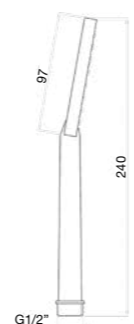
30 CR 8708



Doccia Rettangolare.  
Rectangular shower.  
Douche rectangulaire.  
Прямоугольная лейка.

Finitura / finishing / finition / Покрытие

CR



35 DOC0 22



Doccia shut-off in ottone.  
Brass shut-off shower.  
Douchette en laiton.  
Гигиенический лейка из латунь.

Finitura / finishing / finition / Покрытие

CR



30 CR 8709



Doccia Retrò.  
Old style chrome shower.  
Douche Rétro chromée.  
Душевая лейка Retrò.  
Finitura / finishing / finition / Покрытие

CR  
CO  
RR / ZZ  
OO



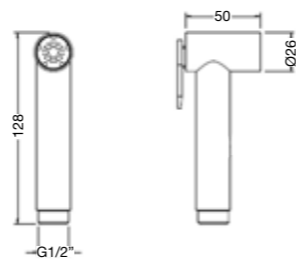
35 DOC0 33



Doccia shut-off in ottone.  
 Brass shut-off shower.  
 Douchette en laiton.  
 Гигиенический лейка из латунь.

Finitura / finishing / finition / Покрытие

CR



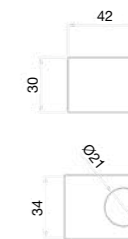
30 CR 8724



Supporto fisso per doccia quadra.  
 Wall holder for square shower.  
 Support mural pour douche carrée.  
 Настенный фиксированный лейкодержатель для квадратной лейки.

Finitura / finishing / finition / Покрытие

CR



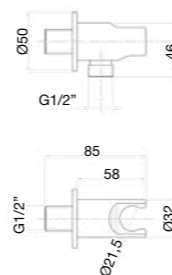
30 CR 8722



Supporto fisso con presa d'acqua.  
 Wall holder with intake of water.  
 Support mural avec prise d'eau.  
 Настенный фиксированный лейкодержатель с подводом воды.

Finitura / finishing / finition / Покрытие

CR



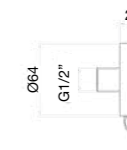
30 CR 8723



Presa d'acqua.  
 Intake of water.  
 Prise d'eau.  
 Подвод воды.

Finitura / finishing / finition / Покрытие

CR



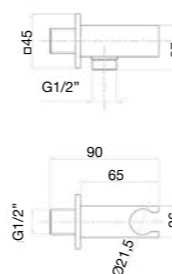
30 CR 8725



Supporto fisso con presa d'acqua.  
 Wall holder with intake of water.  
 Support mural avec prise d'eau.  
 Настенный фиксированный лейкодержатель с подводом воды.

Finitura / finishing / finition / Покрытие

CR



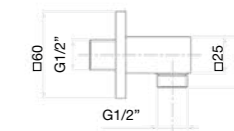
30 CR 8726



Presa d'acqua quadrata.  
 Square intake of water.  
 Prise d'eau carrée.  
 Подвод воды квадратный.

Finitura / finishing / finition / Покрытие

CR



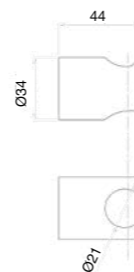
30 CR 8721



Supporto fisso per doccia tonda.  
 Wall holder for round shower.  
 Support mural pour douche ronde.  
 Настенный фиксированный лейкодержатель для круглой лейки.

Finitura / finishing / finition / Покрытие

CR



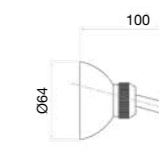
30 CR 8720



Gancio a muro snodato.  
 Swivel wall shower holder.  
 Support douche orientable.  
 Настенный лейкодержатель на шарнире.

Finitura / finishing / finition / Покрытие

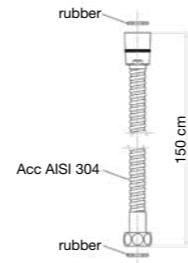
CR



30 CR 8715



Flessibile 150 cm.  
150 cm flexible hose.  
Flexible 150 cm.  
Шланг 150см.



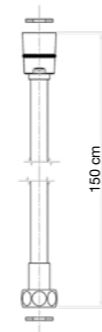
Finitura / finishing / finition / Покрытие

CR

30 CR 8716



Flessibile silver 150 cm.  
Silver flexible hose, 150 cm.  
Flexible silver 150 cm.  
Шланг silver 150см



Finitura / finishing / finition / Покрытие

CR

30 CR 8783

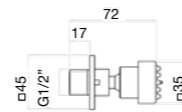


Soffioncino laterale orientabile quadrato 35x35 mm  
ottone cromato.

Adjustable square shower jet 35x35 mm, in brass in  
chrome finishing.

Jet latéral orientable carré 35x35 mm en laiton  
chromé.

Боковая поворотная квадратная форсунка 35x35мм  
из хромированной латуни.



Finitura / finishing / finition / Покрытие

CR

30 CR 8782

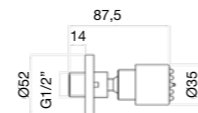


Soffioncino laterale orientabile rotondo Ø 35 mm  
ottone cromato.

Adjustable round shower jet Ø 35 mm, in brass in  
chrome finishing.

Jet latéral orientable rond Ø 35 mm en laiton chromé.

Боковая поворотная круглая форсунка Ø35мм из  
хромированной латуни.



Finitura / finishing / finition / Покрытие

CR

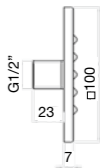
30 CR 8780



Soffioncino Body Spray quadrato 100x100 mm.  
Square body spray shower jet 100x100 mm.  
Jet "Body Spray" carré 100x100 mm.  
Форсунка Body Spray квадратная 100x100мм

Finitura / finishing / finition / Покрытие

CR



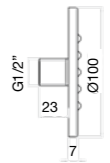
30 CR 8781



Soffioncino Body Spray tondo Ø100 mm.  
Round body spray shower jet Ø100 mm.  
Jet "Body Spray" rond Ø 100 mm.  
Форсунка Body Spray круглая Ø100мм

Finitura / finishing / finition / Покрытие

CR



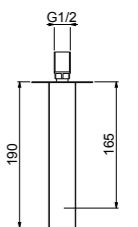
30 CR 8774



Bocca quadrata per lavabo.  
Square wall spout for washbasin.  
Bec mural carré pur mitigeur lavabo.  
Настенный излив квадратный.

Finitura / finishing / finition / Покрытие

CR



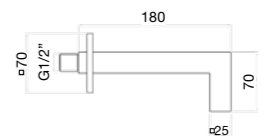
30 CR 8760



Bocca a muro quadrata, rosone 25x25 mm.  
Square wall spout, 25x25 mm plate.  
Bec mural carré, plaque 25x25 mm.  
Настенный излив квадратный.

Finitura / finishing / finition / Покрытие

CR



30 CR 8761  
Bocca con piastra in acciaio 80x80 mm.  
Spout with stainless steel plate 80x80 mm.  
Bec mural carré, plaque 80x80 mm.  
Настенный излив квадратный.

Finitura / finishing / finition / Покрытие

CR



30 CR 8765



Bocca a muro 200 mm con piastra quadrata.  
Wall spout 200 mm with square plate.  
Bec mural 200 mm avec plaque carrée.  
Излив со стены с квадратной накладкой.



30 CR 8766  
Bocca a muro 260 mm.  
Wall spout 260 mm.  
Bec mural 260 mm.  
Излив со стены с квадратной накладкой.

Finitura / finishing / finition / Покрытие

Finitura / finishing / finition / Покрытие

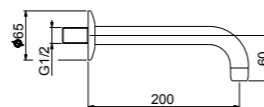
CR

CR

30 CR 8767



Bocca a muro 200 mm con piastra tonda.  
Wall spout 200 mm with round plate.  
Bec mural 200 mm avec plaque ronde.  
Излив со стены с круглой накладкой.



30 CR 8768 = Bocca 260 mm / Spout 260 mm /  
Bec mural 260 mm / Излив со стены с  
круглой накладкой

30 CR 8769 = Bocca 200 mm, piastra acciaio Ø106 mm  
Spout 200 mm, stainless steel plate Ø106  
Bec mural 200 mm avec plaque ronde en inox Ø 106 mm  
Излив со стены с круглой накладкой

30 CR 8770 = Bocca 260 mm, piastra acciaio Ø106 mm  
Spout 260 mm, stainless steel plate Ø106 mm  
Bec mural 260 mm avec plaque ronde en inox Ø 106 mm  
Излив со стены с круглой накладкой

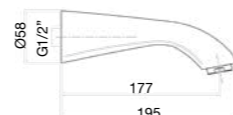
Finitura / finishing / finition / Покрытие

30CR8767 CR  
30CR8768 CR  
30CR8769 CR  
30CR8770 CR

30 CR 8771



Bocca a muro.  
Wall spout.  
Bec mural.  
Излив со стены.



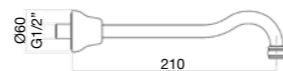
Finitura / finishing / finition / Покрытие

CR

30 CR 8772



Bocca a muro antica 210 mm.  
Old style wall spout 210 mm.  
Bec mural rétro 210 mm.  
Душевая лейка Antica с керамической ручкой.



30 CR 8775  
Bocca a muro 295 mm.  
Wall spout 295 mm.  
Bec mural rétro 295 mm.  
Душевая лейка Antica с керамической ручкой.

Finitura / finishing / finition / Покрытие

Finitura / finishing / finition / Покрытие

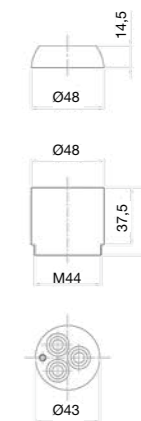
CR  
CO  
RR / ZZ  
OO

CR  
CO  
RR / ZZ  
OO

35 KIPO 01



Kit prolunga cromata per doccia incasso.  
Chrome extension kit for built-in shower mixer.  
Kit rallonge chromé pour mitigeur douche à encastrer.  
Комплект удлиняющих насадок для смесителя для душа скрытого монтажа, хромированный.



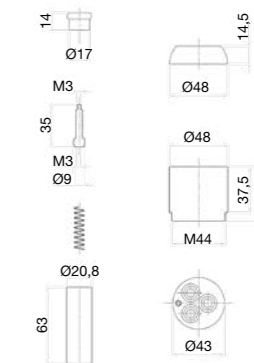
Finitura / finishing / finition / Покрытие

CR

35 KIPO 10



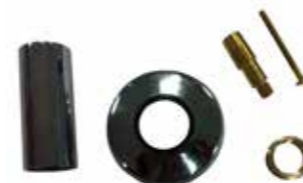
Kit prolunga cromata per doccia incasso con deviatore.  
Chrome extension kit for built-in shower mixer with diverter.  
Kit rallonge chromé pour mitigeur douche à encastrer avec inverseur.  
Комплект удлиняющих насадок с переключателем для смесителя для душа скрытого монтажа, хромированный.



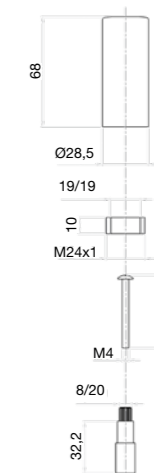
Finitura / finishing / finition / Покрытие

CR

35 KIPO 05



Kit prolunga cromata per rubinetto arresto incasso.  
Chrome extension kit for straight built-in stop cock.  
Kit rallonge chromé pour robinet à encastrer.  
Хромированный удлинитель для запорного крана скрытого монтажа.



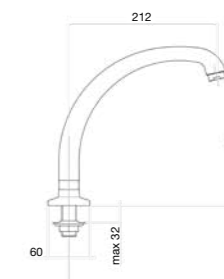
Finitura / finishing / finition / Покрытие

CR

35 0000 30



Bocca per lavello.  
Spout for sink mixer.  
Bec pour évier.  
Излив для кухонного смесителя.



Finitura / finishing / finition / Покрытие

CR

35 0000 31  
Bocca per lavello in tubo per miscelatore a pedale.  
Tube spout for sink mixer for foot-lever mixer.  
Bec tube pour évier pour mélangeur à pédale.  
Излив для кухонного смесителя.

Finitura / finishing / finition / Покрытие

CR

35 PAPO 00



Piantane a pavimento per gruppo vasca con crociera.

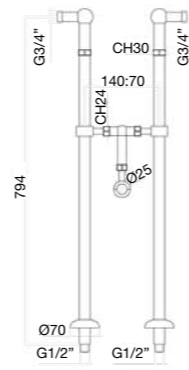
Floor pillars with central part.

Paire de colonnes pour bain douche.

Колонны для напольного монтажа с крестовиной.

Finitura / finishing / finition / Покрытие

CR  
OO  
ZZ  
OO



30 0470 02



Colonna scarico vasca con sifone.

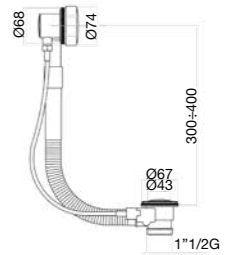
Bath tap pop up waste with siphon.

Colonne vidage baignoire avec siphon.

Сливной и переливной гарнитур для ванны с сифоном.

Finitura / finishing / finition / Покрытие

CR  
OO  
ZZ  
OO



35 PAPO 01



Piantane a pavimento per gruppo vasca senza crociera.

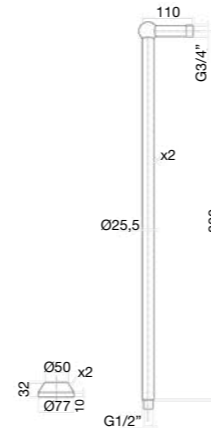
Floor pillars without central part.

Paire de colonnes pour bain douche.

Колонны для напольного монтажа.

Finitura / finishing / finition / Покрытие

CR  
OO  
ZZ  
OO



30 0474 00



Scarico "click-clack" per vasca.

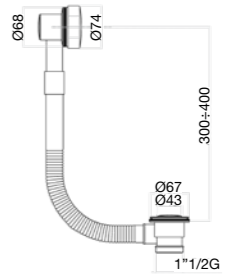
Bath tap "click-clack" pop up waste.

Vidage "click-clack" pour baignoire.

Сливной и переливной гарнитур для ванны, "Click-clack".

Finitura / finishing / finition / Покрытие

CR



35 PAPO 02



Piantane a pavimento per gruppo vasca in tubo.

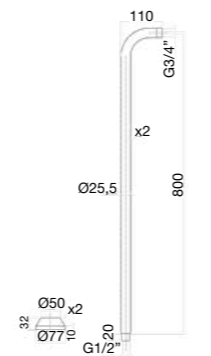
Pipe-like floor pillars.

Paire de colonnes en tube pour bain douche.

Колонны для напольного монтажа.

Finitura / finishing / finition / Покрытие

CR  
OO  
ZZ  
OO



30 CR 8856



Scarico "click-clack".

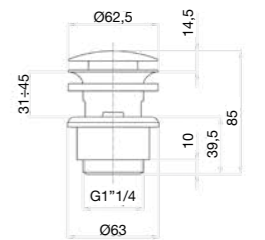
"Click-clack" pop up waste.

Vidage "click-clack".

Система слива "Click-clack", для раковины, нажимного действия

Finitura / finishing / finition / Покрытие

CR



30 0470 00



Colonna scarico vasca.

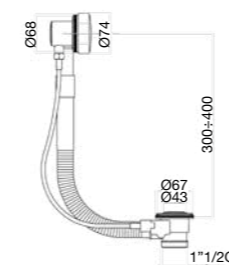
Bath tap pop up waste.

Colonne vidage pour baignoire.

Сливной и переливной гарнитур для ванны.

Finitura / finishing / finition / Покрытие

CR  
OO  
ZZ  
OO



30 CR 8857



Scarico "click-clack" spessore regolabile.

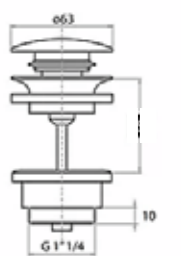
"Click-clack" pop up waste.

Vidage "click-clack".

Система слива "Click-clack", для раковины, нажимного действия.

Finitura / finishing / finition / Покрытие

CR  
NN / BB  
ZZ  
OO  
TT / OZ / CN / NP



35 CC00 01

Coppia colonnette bordo vasca.

Pair of pillars.

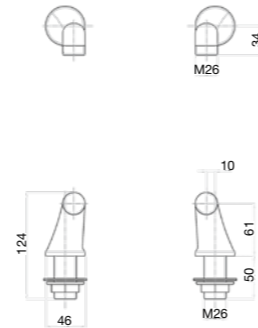
Paire de colonnettes.

Колонна для вертикального монтажа (пара).



Finitura / finishing / finition / Покрытие

CR



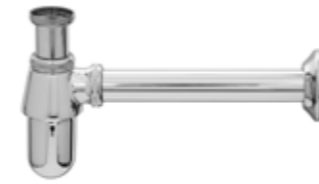
30 CR 8850

Sifone a bottiglia 1"1/4 tubo ott. 25 cm ros.inox.

Bottle siphon 1"1/4 brass tube cm 25, stainless steel plate.

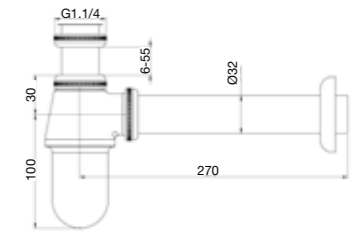
Siphon 1"1/4, tube laiton 25 cm, rosette en inox.

сифон 1"1/4 с латунной трубой 25 см.



Finitura / finishing / finition / Покрытие

CR



30 0411 01

Rubinetto sottolavabo G1/2"x1/2" con filtro.

Under basin tap G1/2"x1/2" with filter.

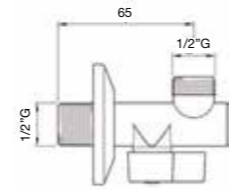
Robinet arret G1/2"x1/2" avec filtre.

Вентиль запорный с фильтром, монтаж под умывальник.



Finitura / finishing / finition / Покрытие

CR



30 CR 8851

Sifone minimal tondo 1"1/4 tubo ott. 25 cm ros.inox.

Round minimal siphon 1"1/4 brass tube 25 cm, stainless steel plate.

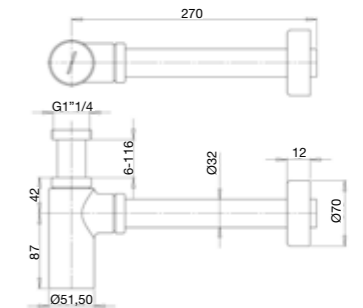
Siphon en laiton minimal rond 1"1/4, tube laiton 25 cm, rosette en inox.

сифон круглый 1"1/4 с латунной трубой 25 см.



Finitura / finishing / finition / Покрытие

CR



30 0332 00

Rubinetto sottolavabo G1/2"x1/2".

Under basin tap G1/2"x1/2".

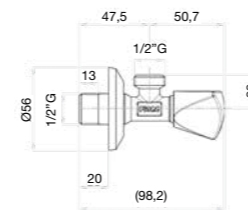
Robinet arret G1/2"x1/2".

Вентиль запорный, монтаж под умывальник.



Finitura / finishing / finition / Покрытие

CR



30 CR 8852

Sifone minimal quadro 1"1/4 tubo ott. 25 cm ros.inox.

Square minimal siphon 1"1/4 brass tube 25 cm stainless steel plate.

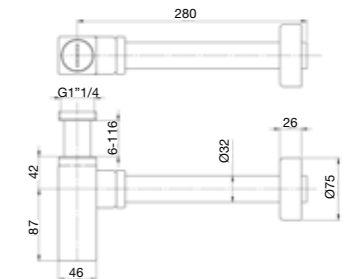
Siphon en laiton minimal carré 1"1/4, tube laiton 25 cm, rosette en inox.

сифон квадратный 1"1/4 с латунной трубой 25 см.



Finitura / finishing / finition / Покрытие

CR



26 CR 0327

Rubinetto a snodo G1/2"x1/2" con vitone ceramico.

Sink tap G1/2"x1/2" with ceramic headworker.

Robinet de service G1/2"x1/2" avec tête céramique.

Кран хозяйственный, подсоединение G1/2"x1/2".



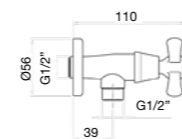
Finitura / finishing / finition / Покрытие

CR

CO

ZZ

OO



30 CR 8853

Sifone lav/bid. a colonna t.i.p 1"1/4 t.inox 25 cm r.inox.

Siphon for pillar basin/bidet with 1"1/4 rear cap for inspection - Tube in stainless steel - faceplate in stainless steel.

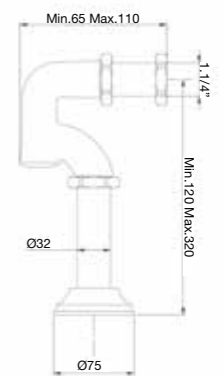
Siphon à colonne pour lavabo/bidet 1"1/4, tube inox 25 cm, rosette en inox.

сифон умыв/биде 1"1/4 с латунной трубой 25 см.



Finitura / finishing / finition / Покрытие

CR



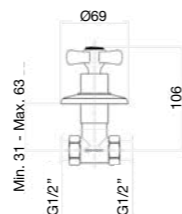
26 CR 0664



Rubinetto arresto incasso 1/2" Margot.  
Straight built-in 1/2" stop cock Margot.  
Robinet à encastrer 1/2" Margot.  
Запорный кран 1/2" скрытый монтаж Margot.

Finitura / finishing / finition / Покрытие

CR



35 DEVO 26  
Deviatore per gruppo incasso Margot.  
Diverter for built-in shower mixer Margot.  
Inverseur pour mélangeur douche à encastrer Margot.  
Переключатель для душевой системы скрытого монтажа Margot.

Finitura / finishing / finition / Покрытие

CR

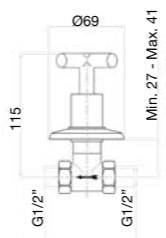
25 CR 0564



Rubinetto arresto incasso 1/2" XT.  
Straight built-in 1/2" stop cock XT.  
Robinet à encastrer 1/2" XT.  
Запорный кран 1/2" скрытый монтаж XT

Finitura / finishing / finition / Покрытие

CR



25 DEVO 25  
Deviatore per gruppo incasso XT  
Diverter for built-in shower mixer XT  
Inverseur pour mélangeur douche à encastrer XT  
Переключатель для душевой системы скрытого монтажа XT

Finitura / finishing / finition / Покрытие

CR

30 CR 8800

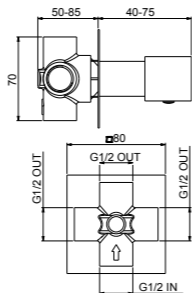


Deviatore incasso 3 vie.  
3-way built-in shower diverter.  
Inverseur 3 sorties encastré.  
Дивертер скрытый монтаж три выхода.

Finitura / finishing / finition / Покрытие

CR

NN / BB  
TT / OZ / CN / NP



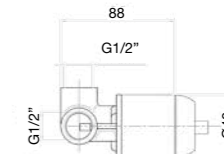
35 PACR 01



Corpo miscelatore doccia incasso un'uscita.  
1-way built-in body for shower mixer.  
Corps pour mitigeur douche à encastrer.  
Корпус смесителя для душа, скрытый монтаж, 1 выход.

Finitura / finishing / finition / Покрытие

CR



Corpi incasso  
Built-in body  
Les corps

35 PACR 20



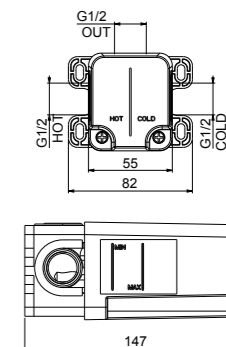
Corpo miscelatore doccia incasso un'uscita con box incasso K-Box.  
1-way built-in body for shower mixer with built-in K-Box shower system.

Corps pour mitigeur douche à encastrer avec une sortie d'eau et boîte à encastrer K-Box.

Смеситель для душа скрытого монтажа с коробкой K-Box, один выход.

Finitura / finishing / finition / Покрытие

CR



35 PACR 11



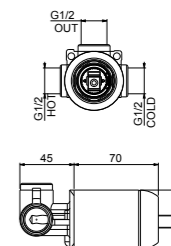
Corpo miscelatore doccia incasso un'uscita con bilanciatore di pressione.  
1-way built-in body for shower mixer with pressure balance.

Corps pour mitigeur douche à encastrer avec régulateur de pression.

Корпус смесителя для душа и регулятором давления, скрытый монтаж, 1 выхода.

Finitura / finishing / finition / Покрытие

CR



30 CR 8810

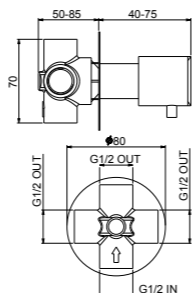


Deviatore incasso 3 vie.  
3-way built-in shower diverter.  
Inverseur 3 sorties encastré.  
Дивертер скрытый монтаж три выхода.

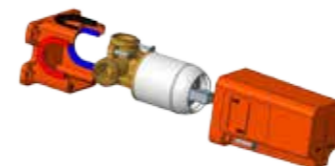
Finitura / finishing / finition / Покрытие

CR

NN / BB  
TT / OZ / CN / NP



35 PACR 25



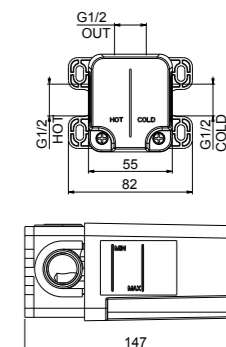
Corpo miscelatore doccia incasso un'uscita con bilanciatore di pressione con box incasso K-Box.  
1-way built-in body for shower mixer with pressure balance with built-in K-Box shower system.

Corps pour mitigeur douche à encastrer avec régulateur de pression et boîte à encastrer K-Box.

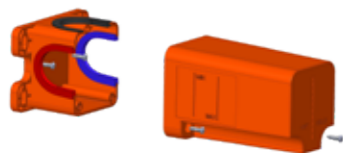
Корпус смесителя для душа и регулятором давления, скрытый монтаж, с коробкой K-Box, один выход.

Finitura / finishing / finition / Покрытие

CR



35 BOX0 01



Sistema doccia incasso K-Box, un'uscita.

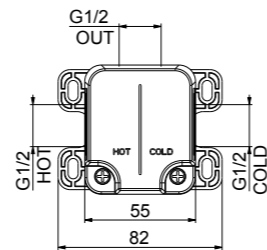
1-way built-in K-Box shower system.

Boîte à encastrer K-Box, une sortie.

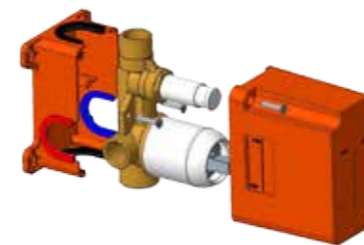
СИСТЕМА ДЛЯ ДУША СКРЫТОГО МОНТАЖА С КОРОБКОЙ K-Box, один выход.

Finitura / finishing / finition / Покрытие

CR



35 PACR 35



Corpo miscelatore doccia incasso con deviatore due uscite con bilanciatore di pressione con box incasso K-Box.

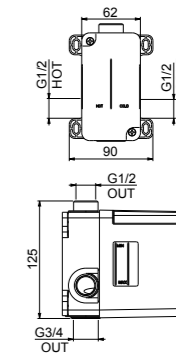
2-way built-in body for shower mixer with diverter with pressure balance and built-in K-Box shower system.

Corps pour mitigeur douche à encastrer avec inverseur deux sorties avec régulateur de pression et boîte à encastrer K-Box.

Корпус смесителя для душа с переключателем и регулятором давления, скрытый монтаж, 2 выхода.

Finitura / finishing / finition / Покрытие

CR



35 PACR 02



Corpo miscelatore doccia incasso con deviatore due uscite.

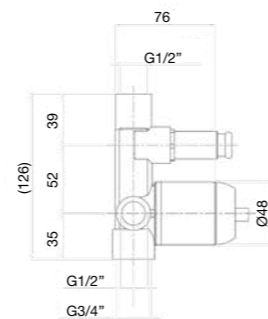
2-way built-in body for shower mixer with diverter.

Corps pour mitigeur douche à encastrer avec inverseur deux sorties.

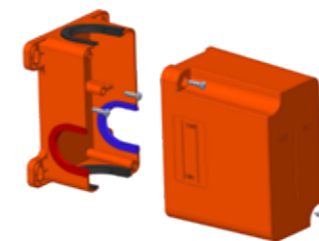
Корпус смесителя для душа с переключателем, скрытый монтаж, 2 выхода.

Finitura / finishing / finition / Покрытие

CR



35 BOX0 10



Sistema doccia incasso K-Box, due uscite.

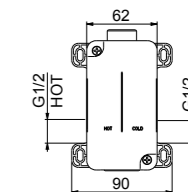
2-way built-in K-Box shower system.

Boîte à encastrer K-Box.

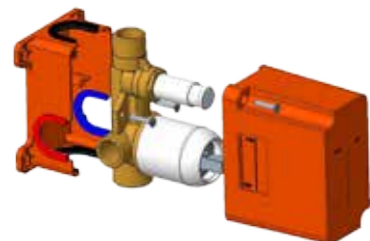
СИСТЕМА ДЛЯ ДУША СКРЫТОГО МОНТАЖА С КОРОБКОЙ K-Box, два выхода.

Finitura / finishing / finition / Покрытие

CR



35 PACR 30



Corpo miscelatore doccia incasso due uscite con box incasso K-Box.

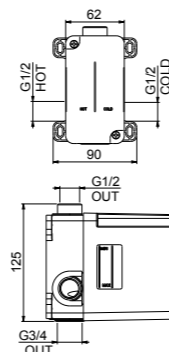
2-way built-in body for shower mixer with built-in K-Box shower system.

Corps pour mitigeur douche à encastrer avec boîte à encastrer K-Box.

Смеситель для душа скрытого монтажа с коробкой K-Box, один выход.

Finitura / finishing / finition / Покрытие

CR



35 PACR 03



Corpo miscelatore doccia incasso con deviatore tre uscite.

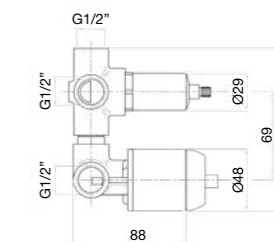
3-way built-in body for shower mixer with diverter.

Corps pour mitigeur douche à encastrer avec inverseur trois sorties.

КОРПУС СМЕСИТЕЛЯ ДЛЯ ДУША С ПЕРЕКЛЮЧАТЕЛЕМ, СКРЫТЫЙ МОНТАЖ, 3 ВЫХОДА.

Finitura / finishing / finition / Покрытие

CR



35 PACR 12



Corpo miscelatore doccia incasso con deviatore due uscite con bilanciatore di pressione.

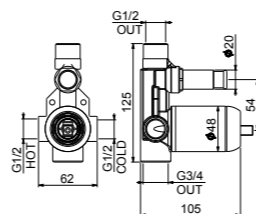
2-way built-in body for shower mixer with diverter with pressure balance.

Corps pour mitigeur douche à encastrer avec inverseur deux sorties avec régulateur de pression.

Корпус смесителя для душа с переключателем и регулятором давления, скрытый монтаж, 2 выхода.

Finitura / finishing / finition / Покрытие

CR



35 PACR 13



Corpo miscelatore doccia incasso con deviatore tre uscite con bilanciatore di pressione.

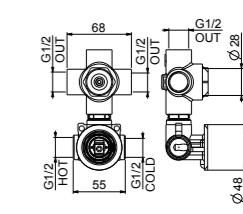
3-way built-in body for shower mixer with diverter with pressure balance.

Corps pour mitigeur douche à encastrer avec inverseur trois sorties avec régulateur de pression.

Корпус смесителя для душа с переключателем и регулятором давления, скрытый монтаж, 3 выхода.

Finitura / finishing / finition / Покрытие

CR



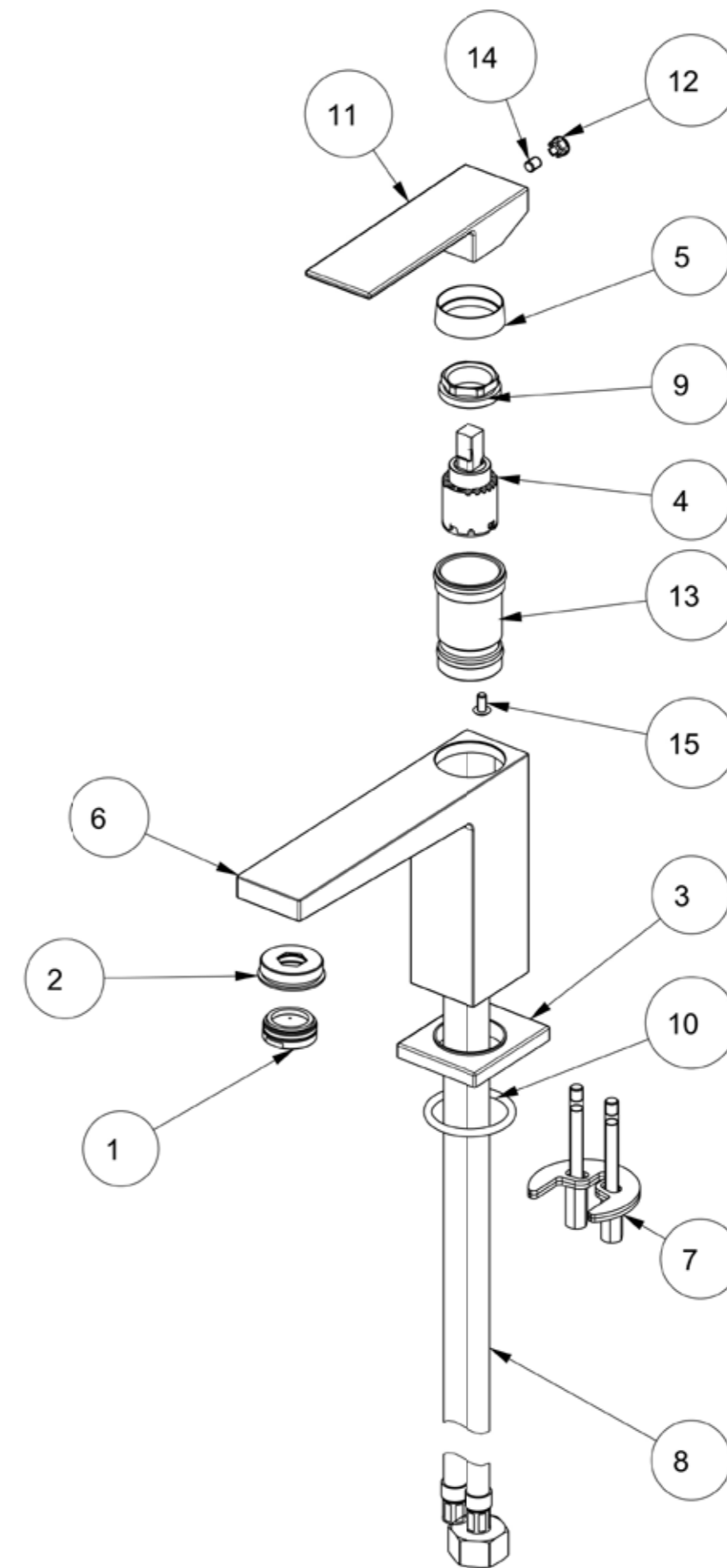
# Parti esterne External parts

	Kube 100	Kera 88	Katana 77	Xenon 44	Kalos 76
ccc = 151 			 77CRP151	 44CRP151	 76CRP151
ccc = 152 					
ccc = 101 	 100CRP101	 88CRP101	 77CRP101	 44CRP101	 76CRP101
ccc = 102 		 88CRP102	 77CRP102	 44CRP102	 76CRP102
ccc = 251 			 77CRP251	 44CRP251	 76CRP251
ccc = 252 					
ccc = 201 	 100CRP201	 88CRP201	 77CRP201	 44CRP201	 76CRP201
ccc = 202 		 88CRP202	 77CRP202	 44CRP202	 76CRP202
ccc = 301 	 100CRP301	 88CRP301	 77CRP301	 44CRP301	 76CRP301
ccc = 302 		 88CRP302	 77CRP302	 44CRP302	 76CRP302

	Kyro 86	Kevon 81	King 39	Imperiale 83	Jafar 47	Parti incasso
ccc = 151 	 86CRP151	 81CRP151				
ccc = 152 	 86CRP152	 81CRP152	 39CRP152	 83CRP152	 47CRP152	 35 PACR 01
ccc = 101 	 86CRP101	 81CRP101	 39CRP101	 83CRP101	 47CRP101	
ccc = 102 	 86CRP102	 81CRP102	 39CRP102	 83CRP102	 47CRP102	
ccc = 251 	 86CRP251	 81CRP251				
ccc = 252 	 86CRP252	 81CRP252	 39CRP252	 83CRP252	 47CRP252	 35 PACR 02
ccc = 201 	 86CRP201	 81CRP201	 39CRP201	 83CRP201	 47CRP201	
ccc = 202 	 86CRP202	 81CRP202	 39CRP202	 83CRP202	 47CRP202	
ccc = 301 	 86CRP301	 81CRP301	 39CRP301	 83CRP301	 47CRP301	 35 PACR 03
ccc = 302 	 86CRP302	 81CRP302	 39CRP302	 83CRP302	 47CRP302	

# Ricambi

— Spare parts



35 MANO 11



Maniglia Gessa.

Gessa handle.

Crosillon Gessa.

Ручка для смесителей Gessa.

Finitura / finishing / finition / Покрытие

CR



35 MANO 19



Maniglia Venere.

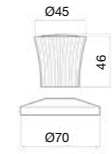
Venere handle.

Crosillon Venere.

Ручка для смесителей Venere.

Finitura / finishing / finition / Покрытие

CR



35 MANO 13



Maniglia Costa.

Costa handle.

Crosillon Costa.

Ручка для смесителей Costa.

Finitura / finishing / finition / Покрытие

CR



30 CR 8815



Kit deviatore per colonna doccia accorciabile  
30 0590 00 F3/4" x F1/2".

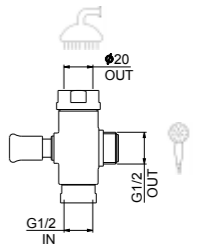
Diverter kit for adjustable rail 30 0590 00 F3/4" x F1/2".

Inverseur pour colonne de douche recoupable  
30 0590 00 F3/4" x F1/2".

Дивертер для укорачивающейся стойки 30 0590 00 F3/4" x F1/2".

Finitura / finishing / finition / Покрытие

CR



35 MANO 17



Maniglia Kudi.

Kudi handle.

Crosillon Kudi.

Ручка для смесителей Kudi.

Finitura / finishing / finition / Покрытие

CR



30 CR 8817



Deviatore colonna doccia F3/4" x M3/4".

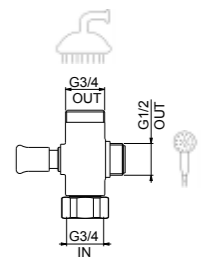
Diverter for rail F3/4" x M3/4".

Inverseur pour colonne de douche F3/4" x M3/4".

Дивертер для душевая стойка с смеситель F3/4" x M3/4".

Finitura / finishing / finition / Покрытие

CR



35 MANO 18



Maniglia Kiss.

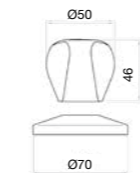
Kiss handle.

Crosillon Kiss.

Ручка для смесителей Kiss.

Finitura / finishing / finition / Покрытие

CR



30 CR 8816



Deviatore per colonna doccia 30 0590 00 M1/2" x M1/2" x M1/2".

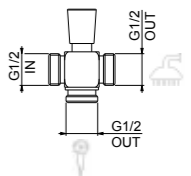
Diverter for rail 30 0590 00 M1/2" x M1/2" x M1/2".

Inverseur pour colonne de douche 30 0590 00 M1/2" x M1/2" x M1/2".

Дивертер для душевая стойка 30 0590 00 M1/2" x M1/2" x M1/2".

Finitura / finishing / finition / Покрытие

CR





30 CR 8818



Deviatore colonna doccia 30 0590 00 M1/2" x M1/2" x F1/2".

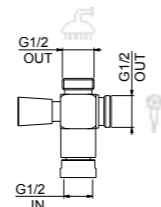
Diverter for rail 30 0590 00 M1/2" x M1/2" x F1/2".

Inverseur pour colonne de douche 30 0590 00 M1/2" x M1/2" x F1/2".

Дивертер для душевая стойка с смеситель 30 0590 00 M1/2" x M1/2" x F1/2".

Finitura / finishing / finition / **ПОКРЫТИЕ**

CR



35 BLIO 04



Blister per vitone ceramico con apertura senso antiorario.

Blister for ceramic headworker with counterclockwise opening.

Double coque pour tête céramique avec ouverture inverse aux aiguilles d'une montre.

Керамическая кран-букса (открытие против часовой стрелки).

Finitura / finishing / finition / **ПОКРЫТИЕ**

35 BLIO 01



Blister per maniglia Classic completa.

Blister for complete Classic handle.

Double coque pour croisillon Classic complet.

Ручка для смесителей Classik.

Finitura / finishing / finition / **ПОКРЫТИЕ**

35 BLIO 05



Blister per vitone ceramico con apertura senso orario.

Blister for ceramic headworker with clockwise opening.

Double coque pour tête céramique avec ouverture dans le sens des aiguilles d'une montre.

керамическая кран-букса (открытие по часовой стрелке).

Finitura / finishing / finition / **ПОКРЫТИЕ**

35 BLIO 02



Blister per vitone 1/2".

Blister for complete 1/2 " headworker.

Double coque pour tête 1/2".

Кран-букса, резиновая прокладка, 1/2"

Finitura / finishing / finition / **ПОКРЫТИЕ**

35 BLIO 17



Blister per cartuccia Ø 25 mm chiusa.

Blister for close cartridge Ø 25 mm.

Double coque pour cartouche scellée Ø 25 mm.

Картридж Ø 25 мм.

Finitura / finishing / finition / **ПОКРЫТИЕ**

35 CAIO 26

Cartuccia Ø 25 mm chiusa insacchettata.

Close cartridge Ø 25 mm packed in bag.

Cartouche scellée Ø 25 mm emballée en sachet.

Картридж Ø 25 мм.

Finitura / finishing / finition / **ПОКРЫТИЕ**

35 BLIO 80



Blister per eccentrico + rosone.

Blister for excentre + wall plate.

Double coque pour raccord excentré + rosette.

Эксцентрик с отражателем.

Finitura / finishing / finition / **ПОКРЫТИЕ**

35 BLIO 15



Blister per cartuccia Ø 25 mm aperta.

Blister for open cartridge Ø 25 mm.

Double coque pour cartouche ouverte Ø 25 mm.

Картридж Ø 25 мм.

Finitura / finishing / finition / **ПОКРЫТИЕ**

35 CAIO 25

Cartuccia Ø 25 mm aperta insacchettata.

Open cartridge Ø 25 mm packed in bag.

Cartouche ouverte Ø 25 mm emballée en sachet.

Картридж Ø 25 мм.

Finitura / finishing / finition / **ПОКРЫТИЕ**

### 35 BLIO 20



Blister per cartuccia Ø 35 mm con distributore.

Blister for cartridge with distributor Ø 35 mm.

Double coque pour cartouche Ø mm 35 avec distributeur.

**Картридж Ø 35 мм.**

Finitura / finishing / finition / **ПОКРЫТИЕ**

35 CAIO 20

Cartuccia Ø 35 mm con distributore insacchettata.

Cartridge with distributor Ø 35 mm packed in bag.

Cartouche Ø mm 35 avec distributeur emballée en sachet.

**Картридж Ø 35 мм.**

Finitura / finishing / finition / **ПОКРЫТИЕ**

35 CAIO 42

Cartuccia Ø 35 mm con distributore 2 pioli insacchettata.

Cartridge with distributor Ø 35 mm with 2 pins packed in bag.

Cartouche Ø mm 35 avec distributeur avec 2 pieds emballée en sachet.

**Картридж Ø 35 мм.**

Finitura / finishing / finition / **ПОКРЫТИЕ**

### 35 BLIO 30



Blister per cartuccia Ø mm 42 con inserto distributore.

Blister for cartridge Ø 42 mm with distributor insert.

Double coque pour cartouche Ø mm 42 avec détachable distributeur.

**Картридж Ø 42 мм с распределительной вкладкой.**

Finitura / finishing / finition / **ПОКРЫТИЕ**

35 CAIO 30

Cartuccia Ø mm 42 con inserto distributore insacchettata.

Cartridge Ø 42 mm with distributor insert packed in bag.

Cartouche Ø mm 42 avec détachable distributeur emballée en sachet.

**Картридж Ø 42 мм.**

Finitura / finishing / finition / **ПОКРЫТИЕ**

35 CAIO 31

Cartuccia Ø mm 42 senza distributore insacchettata.

Cartridge Ø 42 mm without distributor packed in bag.

Cartouche Ø mm 42 sans distributeur emballée en sachet.

**Картридж Ø 42 мм.**

Finitura / finishing / finition / **ПОКРЫТИЕ**

### 35 BLIO 21



Blister per cartuccia Ø mm 35 senza distributore.

Blister for cartridge without distributor Ø 35 mm.

Double coque pour cartouche Ø mm 35 sans distributeur.

**Картридж Ø 35 мм.**

Finitura / finishing / finition / **ПОКРЫТИЕ**

35 CAIO 21

Cartuccia Ø 35 mm senza distributore insacchettata.

Cartridge without distributor Ø 35 mm packed in bag.

Cartouche Ø mm 35 sans distributeur emballée en sachet.

**Картридж Ø 35 мм.**

Finitura / finishing / finition / **ПОКРЫТИЕ**

35 CAIO 37

Cartuccia Ø 35 mm senza distributore 90° insacchettata.

Cartridge without distributor Ø 35 mm 90° packed in bag.

Cartouche Ø mm 35 sans distributeur 90° emballée en sachet.

**Картридж Ø 35 мм.**

Finitura / finishing / finition / **ПОКРЫТИЕ**

### 35 BLIO 32



Blister per cartuccia Ø mm 42 Eco-Stop.

Blister for Eco-Stop cartridge Ø 42 mm.

Double coque pour cartouche Eco-Stop Ø mm 42.

**Картридж Ø 42 мм. ECO-STOP.**

Finitura / finishing / finition / **ПОКРЫТИЕ**

35 CAIO 33

Cartuccia Ø mm 42 Eco-Stop insacchettata.

Eco-Stop cartridge Ø 42 mm packed in bag.

Cartouche Eco-Stop Ø mm 42 emballée en sachet.

**Картридж Ø 42 мм.**

Finitura / finishing / finition / **ПОКРЫТИЕ**

### 35 BLIO 22



Blister per cartuccia Eco-Stop Ø 35 mm con distributore.

Blister for Eco-Stop cartridge with distributor Ø 35 mm.

Double coque pour cartouche Eco-Stop Ø 35 mm avec distributeur.

**Картридж Ø 35 мм. ECO-STOP.**

Finitura / finishing / finition / **ПОКРЫТИЕ**

35 CAIO 34

Cartuccia Eco-Stop Ø 35 mm con distributore insacchettata.

Eco-Stop cartridge with distributor Ø 35 mm packed in bag.

Cartouche Eco-Stop Ø 35 mm avec distributeur emballée en sachet.

**Картридж Ø 35 мм. ECO-STOP.**

Finitura / finishing / finition / **ПОКРЫТИЕ**

### 35 BLIO 25



Blister per cartuccia universale Ø mm 35 senza distributore.

Blister for universal cartridge without distributor Ø 35 mm.

Double coque pour cartouche universelle Ø 35 mm sans distributeur.

**Картридж Ø 35 мм.**

Finitura / finishing / finition / **ПОКРЫТИЕ**

### 35 BLIO 23



Blister per cartuccia Eco-Stop Ø mm 35 senza distributore.

Blister for Eco-Stop cartridge without distributor Ø 35 mm.

Double coque pour cartouche Eco-Stop Ø 35 mm sans distributeur.

**Картридж Ø 35 мм. ECO-STOP.**

Finitura / finishing / finition / **ПОКРЫТИЕ**

35 CAIO 29

Cartuccia Eco-Stop Ø 35 mm senza distributore insacchettata.

Eco-Stop cartridge without distributor Ø 35 mm packed in bag.

Cartouche Eco-Stop Ø 35 mm sans distributeur emballée en sachet.

**Картридж Ø 35 мм. ECO-STOP.**

Finitura / finishing / finition / **ПОКРЫТИЕ**

### 35 BLIO 26



Blister per cartuccia universale Ø mm 35 con distributore.

Blister for universal cartridge with distributor Ø 35 mm.

Double coque pour cartouche universelle Ø mm 35 avec distributeur.

**Картридж Ø 35 мм.**

Finitura / finishing / finition / **ПОКРЫТИЕ**

35 BLIO 35



Blister per cartuccia universale Ø mm 40 senza distributore.

Blister for universal cartridge without distributor Ø 40 mm.

Double coque pour cartouche universelle Ø 40 mm sans distributeur.

Картридж Ø 40 мм.

Finitura / finishing / finition / **ПОКРЫТИЕ**

35 BLIO 36



Blister per cartuccia universale Ø mm 40 con distributore.

Blister for universal cartridge with distributor Ø 40 mm.

Double coque pour cartouche universelle Ø 40 mm avec distributeur.

Картридж Ø 40 мм.

Finitura / finishing / finition / **ПОКРЫТИЕ**

35 BLIO 40



Blister per gancio a muro con forcella conica.

Blister for wall hook with conical fork.

Double coque pour support mural conique.

Кронштейн ручного душа настенный.

Finitura / finishing / finition / **ПОКРЫТИЕ**

35 BLIO 50



Blister per canna J cm 13.

Blister for 13 cm J-spout.

Double coque pour bec J cm 13.

J-излив 13 см.

Finitura / finishing / finition / **ПОКРЫТИЕ**

35 BLIO 51



Blister per canna S cm 20.

Blister for 20 cm S-spout.

Double coque pour bec S cm 20.

S-излив 20 см.

Finitura / finishing / finition / **ПОКРЫТИЕ**

35 BLIO 52



Blister per canna J cm 20.

Blister for 20 cm J-spout.

Double coque pour bec J cm 20.

J-излив 20 см.

Finitura / finishing / finition / **ПОКРЫТИЕ**

35 BLIO 53



Blister per canna U cm 20.

Blister for 20 cm U-spout.

Double coque pour bec U cm 20.

U-излив 20 см.

Finitura / finishing / finition / **ПОКРЫТИЕ**

35 BLIO 60



Blister per deviatore gruppo vasca.

Blister for diverter for traditional bath mixer.

Double coque pour inverseur pour mélangeur bain douche.

Дивертер для универсальных смесителей на ванну.

Finitura / finishing / finition / **ПОКРЫТИЕ**

35 BLIO 70



Blister per deviatore vasca serie Nexus.

Blister for diverter for Nexus bath mixer.

Double coque pour inverseur pour mitigeur bain douche Nexus.

Дивертер для смесителя на ванну Nexus.

Finitura / finishing / finition / **ПОКРЫТИЕ**

35 BLIO 71



Blister per deviatore vasca serie Xenon.

Blister for diverter for Xenon bath mixer.

Double coque pour inverseur pour mitigeur bain douche Xenon.

Дивертер для смесителя на ванну Xenon.

Finitura / finishing / finition / **ПОКРЫТИЕ**

35 BLIO 90



Blister per flessibile cm 150 1/2" x 1/2" ottone con calotta conica.

Blister for brass flexible hose cm 150, 1/2" x 1/2" with conical nut.

Double coque pour flexible cm 150 en laiton , 1/2" x 1/2" avec écrou conique.

Душевой шланг 150 см 1/2" x 1/2", МЕТАЛИЧЕСКИЙ, КОНИЧЕСКАЯ ГАЙКА.

Finitura / finishing / finition / **ПОКРЫТИЕ**

35 BLIO 91



Blister per flessibile cm 150 1/2" x 1/2" plastica con calotta conica.

Blister for plastic flexible hose cm 150, 1/2" x 1/2" with conical nut.

Double coque pour flexible cm 150 en plastique , 1/2" x 1/2" avec écrou conique.

Душевой шланг 150 см 1/2" x 1/2", полимерный, коническая гайка.

Finitura / finishing / finition / **ПОКРЫТИЕ**

35 BLI1 01



Blister per Eco-aeratore 22x1.

Blister for Eco-aerator 22x1.

Double coque pour Eco-aérateur 22x1.

Аэратор Eco 22x1 для минимизации расхода воды.

Finitura / finishing / finition / **ПОКРЫТИЕ**

35 BLI1 02



Blister per Eco-aeratore 24x1.

Blister for Eco-aerator 24x1.

Double coque pour Eco-aérateur 24x1.

Аэратор Eco 24x1 для минимизации расхода воды.

Finitura / finishing / finition / **ПОКРЫТИЕ**

35 BLI1 03



Blister per regolatore di flusso.

Blister for flow regulator.

Double coque pour régulateur de débit.

Регулятор напора.

Finitura / finishing / finition / **ПОКРЫТИЕ**

#### COME ORDINARE LE FINITURE SUPERFICIALI

Per i **rubinetti monocomando**, **per i rubunetti a doppia maniglia** e per gli **accessori bagno** la finitura è indicata dalle **due lettere** nel codice articolo: per esempio 47 CR 5221. 47 è il codice per la leva JAFAR **CR** è il codice per la finitura Cromo 5221 è il codice di quel modello

Potete indicare una finitura differente usando un codice diverso al posto di CR, quindi:
**CR** = Cromo
**ZZ** = Vecchio Bronzo
**RR** = Vecchio Rame
**OO** = Oro
**CO** = Cromo/Oro

Per esempio:
47**CR**5221 è per il cromo
47**ZZ**5221 è per il vecchio bronzo
47**RR**5221 è per il vecchio rame
47**OO**5221 è per l’oro
47**CO**5221 è per il cromo/oro

Rubinetto a doppia maniglia con finitura Cromo/Oro

**CURA DELLE FINITURE:** Si consiglia di mantenere la superficie del prodotto sempre pulita in modo che lo sporco e il calcare non attacchino la finitura.

Per pulire il prodotto acquistato utilizzare un panno morbido, acqua e sapone neutro in modo da non graffiare ed alterare la finitura. Il sapone deve essere risciacquato accuratamente con acqua in modo che non si depositi sul rubinetto. L'uso di prodotti abrasivi (es. prodotti a base di ammoniaca) possono danneggiare la superficie. Per tali danni il prodotto non è in garanzia.

Le finiture speciali sono il risultato di particolari processi produttivi che ne aggiungono valore. Variazioni minori ed imperfezioni sono da considerarsi una virtù di esclusività del pezzo stesso.

Rubinetto a doppia maniglia con finitura Cromo/Oro

Tutte le immagini delle finiture sono solo indicative, pertanto non sono vincolanti per la reale esecuzione. Inoltre Fiore Rubinetterie si riserva il diritto di modificare o cambiare lo stile di alcune finiture senza preavviso.

#### HOW TO ORDER THE SURFACE FINISHINGS

For the ***single lever mixers, for the two handles mixers*** and for the ***bathroom accessories*** the finishing is indicated by the **2 letters** in the article number: for example 47 **CR** 5221. *81 is the code of the JAFAR handle* **CR** is the code for the Chrome finishing 5221 is the code of the model

*You can indicate a different finishing using a different code instead of CR, so:*
**CR** = Chrome
**ZZ** = OLD BRONZE
**RR** = OLD CUPPER
**OO** = GOLD
**CO** = CROME/GOLD

*For example:*
47**CR**5221 is for the chrome
47**ZZ**5221 is for the old bronze
47**RR**5221 is for the old cupper
47**OO**5221 is for the gold
47**CO**5221 is for the chrome/gold

Rubinetto a doppia maniglia con finitura Cromo/Oro

**CARE OF FINISH:** *We recommend you to keep the surface of the product clean so that the dirt and the limestone don’t attack the finish.*

Rubinetto a doppia maniglia con finitura Cromo/Oro

*To clean the purchased product, use a soft cloth, mild soap and water not to scratch and not to change the finish. The soap should be rinsed with water throughly so that it does not deposit on the tap. The use of abrasive products (eg. Products containing ammonia) may damage the surface. For such damage the product is not under warranty.*

*The special finishes are the result of particular processes that add value. Minor variations and imperfections are to be considered a virtue of exclusivity of the piece itself.*

Rubinetto a doppia maniglia con finitura Cromo/Oro

*All the pictures of the finishing are only indicative, therefore are not binding to their real execution. Moreover, the company reserves itself the right to modify or change styles of some finishings without notice.*

#### COMMENT COMMANDER LES FINITIONS

Pour les **mitigeurs, pour les melangeurs** et les **accessoires de bains**, la finition est indiquée par les deux lettres de la référence article. Exemple : 47 CR 5221 47 indique la poignée JAFAR CR indique la finition Chrome 5221 indique la référence de l’article

Vous pouvez indiquer une finition différente en changeant le CR, et donc :
**CR** = Chrome
**ZZ** = Vieux Bronze
**RR** = Vieux Cuivre
**OO** = Or
**CO** = Chrome/Or

Exemple :
47**CR**5221 pour le chrome
47**ZZ**5221 pour le vieux bronze
47**RR**5221 pour le vieux cuivre
47**OO**5221 pour l’or
47**CO**5221 pour le chrome/or

Rubinetto a doppia maniglia con finitura Cromo/Oro

**SOINS DES FINITIONS:** Il est recommandé de garder la surface du produit toujours propre afin que la saleté et le calcaire n’attaquent pas la finition.

Rubinetto a doppia maniglia con finitura Cromo/Oro

Pour nettoyer votre produit, on conseil un chiffon doux, un savon doux et de l’eau afin de ne pas égratigner et détériorer la surface. Le savon doit être bien rincé avec de l'eau afin d’évider qu’il se dépose sur le robinet. L'utilisation de produits abrasifs (par exemple des produits à base d’ammoniaque) peut endommager la surface. Pour ces dommages le produit n'est plus sous garantie.

Rubinetto a doppia maniglia con finitura Cromo/Oro

Les finitions spéciales sont le résultat de certains procédés de fabrication à valeur ajoutée. Variations et imperfections mineures doivent être considérées comme une vertu de l'exclusivité de la pièce elle-même.

Rubinetto a doppia maniglia con finitura Cromo/Oro

Toutes les photos des finitions sont à titre indicatif et ne sont donc pas contraignantes sur la mise en œuvre effective. En outre Fiore Rubinetterie se réserve le droit de modifier ou de changer le style des certaines finitions sans préavis.

#### Как заказать тип покрытия:

для **однорычажных смесителей**, Для **двухрукоятчных смесителей** и **для аксессуаров для ванной комнаты** тип покрытия указан **двумя буквами** в коде изделия.
Например: 47 **CR** 5221
47 - код рычага JAFAR
**CR** - код покрытия хром
5221 - код изделия

Rubinetto a doppia maniglia con finitura Cromo/Oro

Для указания другого типа покрытия, используйте соответствующие коды:
**CR** = Хром
**ZZ** = Старинная бронза
**RR** = Старинная медь
**OO** = Золото
**CO** = Хром/Золото

Например, для серии JAFAR:
47**CR**5221 значит “хром”
47**OO**5221 значит “золото”
47**CO**5221 значит “хром/золото”
47**ZZ**5221 значит “старинная бронза”

Rubinetto a doppia maniglia con finitura Cromo/Oro

Rubinetto a doppia maniglia con finitura Cromo/Oro

***Уход за внешним покрытием:** Рекомендуем протирать смеситель после каждого пользования, во избежание появления известковых пятен и налипания грязи. Для очистки купленного изделия используйте мягкую салфетку для уборки, воду и нейтральное мыло, чтобы на смесителе не появились царапины и чтобы он не потерял блеска. Тщательно смойте всё мыло проточной водой.*

Rubinetto a doppia maniglia con finitura Cromo/Oro

*Чистящие средства с абразивными веществами (например, средства на основе аммиака), могут повредить поверхность смесителя. На этот вид повреждений гарантия не распространяется. Особые типы покрытий являются результатом специальных производственных процессов, которые придают ценность изделию. Небольшие отклонения и несовершенства в покрытии придают эксклюзивность смесителю.*

Все визуальные изображения покрытий являются ориентировочными и не являются обязующими для реального процесса покрытия изделия. FIORE RUBINETTERIE оставляет за собой право видоизменить, полностью изменить стиль или исключить отдельный тип покрытия без предварительного уведомления.

## CONDIZIONI GENERALI DI VENDITA

### Ordini

Tutti gli ordini si intendono accettati dopo conferma da parte della Fiore Rubinterrie srl e non impegnano il produttore alla consegna anche parziale di quanto ordinato.

### Prezzi

I prezzi sono soggetti a variazioni e non sono impegnativi senza conferma.

### Spedizioni

Vengono sempre effettuate in porto assegnato, salvo speciali accordi in contrario. La merce viaggia a totale rischio e pericolo del committente, anche se venduta franco destino. La società Fiore Rubinetterie srl si ritiene sollevata da ogni responsabilità in merito ad eventuali ammanchi, avarie o ritardi.

Le spedizioni vengono effettuate con il mezzo disponibile al momento e le indicazioni del Cliente hanno valore di semplice raccomandazione.

### Termini di consegna

Sono soltanto approssimativi e non danno diritto al committente di annullare l'ordine o reclamare danni di qualsiasi natura per ritardi derivanti da incidenti di fabbricazione o di forza maggiore.

### Imballi

Gli imballi sono fatturati al puro costo e non si accettano di ritorno. Confezioni e imballi possono subire variazioni o modifiche senza preavviso.

### Trasporto

Addebito in fattura.

### Reclami

I reclami sono ritenuti validi solo se presentati entro 8 giorni dal ricevimento della merce, con raccomandata. I dati contenuti nel presente catalogo possono subire variazioni o modifiche senza alcun preavviso. I dati eventualmente riscontrati difformi dal Cliente non possono essere motivo di contestazione della fornitura.

### Responsabilità

La responsabilità di Fiore Rubinetterie srl circa la qualità dei materiali si limita all'accettazione del reso, franco nostro magazzino, e alla eventuale sostituzione di pezzi che venissero riscontrati difettosi, senza perciò essere tenuti ad alcun indennizzo. La società non accetta alcuna responsabilità per difetti che risultano da eventuale manomissione dei materiali forniti.

### Pagamenti

Le condizioni sono quelle indicate nelle offerte e nelle fatture proforma e sono impegnative. Trascorse le scadenze convenute, saranno conteggiati gli interessi di mora. Il ritardo nel pagamento autorizza la Fiore Rubinetterie srl a sospendere senza alcun preavviso le forniture in corso.

### Riserva di proprietà

La Fiore Rubinetterie srl si riserva la proprietà sulle merci fintanto che l'importo non viene totalmente pagato.

### Contestazioni

Per ogni controversia le parti eleggono il Foro Giudiziario di Novara.

## SALE CONDITIONS

### Orders

All orders are considered as accepted only after the order confirmation issued by Fiore Rubinetterie srl and they are not binding for any partial/total delivery by Fiore Rubinetterie srl.

### Prices

Before the order confirmation the prices can be modified.

### Deliveries

Deliveries are intended ex-factory, except for different agreements between Fiore Rubinetterie srl and the customers. Fiore Rubinetterie srl is not respon- sible for any delay or any kind of damage or missing of the goods during the transport, even in case of free destination delivery.

Deliveries will be effected through the forwarding agent available at that moment and the requests of the customer are intended only as recommendations.

### Delivery terms

Delivery terms are inteded as indicative and do not authorize the cancellation of the order by the customer, or any refund request by the customer for any delay due to reasons, which do not depend from Fiore Rubinetterie srl, such as manufacture accidents or force majeure.

### Packaging

The packing has to be paid and can not be returned by the customer. The packaging style can be modified without any notice.

### Transport cost

The transport cost is calculated on the invoice.

### Claims

Claims are valid only within 8 days upon receipt of the goods and must be communicated by registered letter. All details shown in the present catalogue can be modified without any notice. Different details stated by the customer cannot be object of claim.

### Liability

Fiore Rubinetterie srl is responsible for the quality of the goods and will only replace defective pieces returned to the customer's charge. No further refund will be effected. Fiore Rubinetterie srl is not responsible for any damage caused to the product after the delivery.

### Payments

The payment conditions are stated in our offers and proforma invoices and they are binding. After the maturity date interest on delayed payment will be calculated. Any delay of payment allows Fiore Rubinetterie srl to stop the deliveries without any notice.

### Right of ownership

Fiore Rubinetterie srl reserves the right of ownership on the goods until their whole amount is totally paid.

### Dispute

For any dispute the parties refer to the Court of Novara.

## CONDITIONS GENERALES DE VENTE

### Commandes

Toutes les commandes sont considérées comme acceptées seulement après la confirmation par Fiore Rubinetterie srl et n’engagent pas notre société à leur livraison, même si partielle.

### Prix

Les prix peuvent changer et ils ne sont pas valables sans notre confirmation.

### Expeditions

Toutes les expéditions sont effectuées en départ usine sauf accords spéciaux différents. Le transport de la marchandise, même si les frais sont à charge de Fiore Rubinetterie srl, reste à risques et périls du commettant; manques et dommages ou retards éventuels ne peuvent pas être imputés à Fiore Rubinetterie srl.

Les expéditions sont effectuées par le moyen disponible et les indications du Client seront considérées seulement comme recommandations.

### Délais de livraison

Les délais de livraison sont seulement indicatifs et ils ne donnent pas le droit au commettant d’annuler la commande ou de demander des remboursements de n’importe quelle nature pour retards causés par problèmes de fabrication ou de force majeure.

### Emballages

Les emballages sont facturés au prix de revient et ils ne sont pas acceptés deretour. Ils peuvent être changés ou modifiés sans préavis.

### Transport

Il est débité sur la facture.

### Réclamations

Elles sont valables seulement si effectuées dans 8 jours de la réception de la marchandise par lettre recommandée.

Les données indiquées sur le présent catalogue peuvent être modifiées sans préavis.

Données relevées différentes par le client ne peuvent pas être la cause d’une contestation de la fourniture.

### Responsabilité

La responsabilité de Fiore Rubinetterie srl sur la qualité des matériaux est limitée à l’acceptation des pièces de retour, franco notre magasin, et à leur remplacement, dans le cas où elles sont défectueuses, sans donc être obligés à aucun remboursement.

La société Fiore Rubinetterie srl ne peut pas être considérée responsables pour défauts causés par une altération éventuelle des matériaux fournis par elle.

### Payement

Les conditions sont celles indiquées sur nos offres et factures proforma et elles sont contraignantes.

Après les échéances convenues, on calculera les intérêts moratoires. Le retard de paiement autorise la société Fiore Rubinetterie srl à suspendresans préavis les fournitures en cours.

### Réserve de propriété

La société Fiore Rubinetterie srl se réserve la propriété jusqu’au moment où la marchandise n’est pas totalement payée.

### Litiges

Pour tout litige, les parties reconnaissent la compétence du Tribunal de Novara.

Fiore Rubinetterie srl  
28021 Borgomanero (NO) Italia  
Via Maggiate 69/C

Tel. +39 0322 840711  
Fax. +39 0322 840777

[www.fiore.it](http://www.fiore.it)  
[fiore@fiore.it](mailto:fiore@fiore.it)